

13391

Φ133x91MM



General Specifications

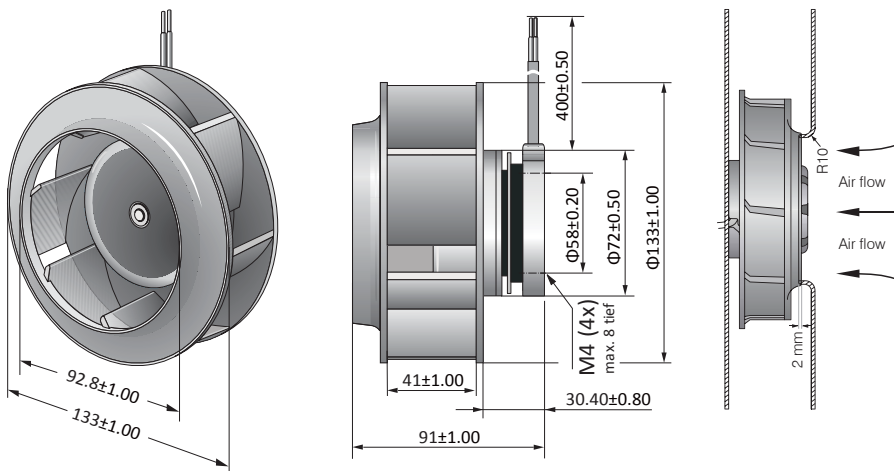
- ◆ Material..... Pillow: Die-Cast Aluminum
Impeller: Plastic (UL94V-0)
Lead Wire: UL1007AWG#20 or Equivalent (+) Red, (-) Black
- ◆ Expected Life..... Ball Bearing 50,000hrs (40°C)
- ◆ Temperature Range.... Operating temperature -10°C~70°C (Non-condensing)
Storage temperature -40°C~70°C (Non-condensing)
- ◆ Safety Standards..... UL, TUV, RoHS, CE
- ◆ DC Fan Specials..... RD, FG, PWM, Temperature control, IP56

Specifications

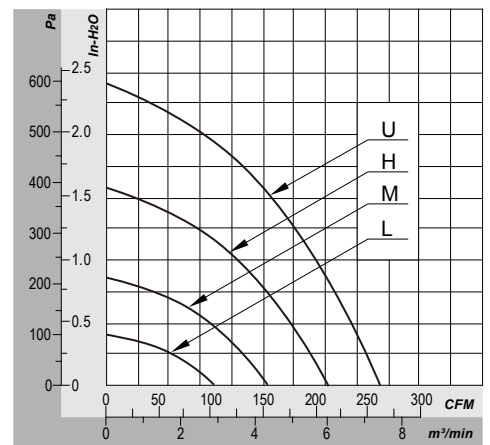
| Model | #Bearing Type | Rated Voltage | Operating Voltage | Input Current | Input Power | Speed | Max Air Flow | | Max Static Pressure | | Noise | Weight |
|-------------|---------------|---------------|-------------------|---------------|-------------|-------|--------------|---------------------|-----------------------|--------|-------|--------|
| Part No. | B.S | VDC | VDC | Amp | Watt | RPM | CFM | m ³ /min | Inch-H ₂ O | Pa | dB-A | g |
| DB13391B24U | B | 24 | 14.0~27.6 | 2.55 | 62.00 | 5000 | 264.85 | 7.50 | 2.39 | 595.26 | 69.0 | 680.0 |
| DB13391B24H | B | 24 | 14.0~27.6 | 1.50 | 36.00 | 4000 | 211.88 | 6.00 | 1.56 | 380.80 | 64.0 | 680.0 |
| DB13391B24M | B | 24 | 14.0~27.6 | 0.75 | 18.00 | 3000 | 158.91 | 4.50 | 0.86 | 214.23 | 58.0 | 680.0 |
| DB13391B24L | B | 24 | 14.0~27.6 | 0.50 | 8.00 | 2000 | 105.94 | 3.00 | 0.38 | 95.21 | 49.0 | 680.0 |
| DB13391B48U | B | 48 | 28.0~56.0 | 1.25 | 62.00 | 5000 | 264.85 | 7.50 | 2.39 | 595.26 | 69.0 | 680.0 |
| DB13391B48H | B | 48 | 28.0~56.0 | 0.80 | 36.00 | 4000 | 211.88 | 6.00 | 1.56 | 380.80 | 64.0 | 680.0 |
| DB13391B48M | B | 48 | 28.0~56.0 | 0.40 | 18.00 | 3000 | 158.91 | 4.50 | 0.86 | 214.23 | 58.0 | 680.0 |
| DB13391B48L | B | 48 | 28.0~56.0 | 0.15 | 8.00 | 2000 | 105.94 | 3.00 | 0.38 | 95.21 | 49.0 | 680.0 |

Specifications are subject to change without notice. Please visit our website at <http://www.szhxht.com> for update information

Dimensions (Unit:mm)



PQ Curve (At rated Voltage)



17569

Φ175x69MM

General Specifications

- ◆ Material..... Pillow: Die-Cast Aluminum
Impeller: Plastic (UL94V-0)
Lead Wire: UL1007AWG#20 or Equivalent (+) Red, (-) Black
- ◆ Expected Life..... Ball Bearing 50,000hrs (40°C)
- ◆ Temperature Range.... Operating temperature -10°C~70°C (Non-condensing)
Storage temperature -40°C~70°C (Non-condensing)
- ◆ Safety Standards..... UI, TUV, RoHS, CE
- ◆ DC Fan Specials..... RD, FG, PWM, Temperature control, IP56

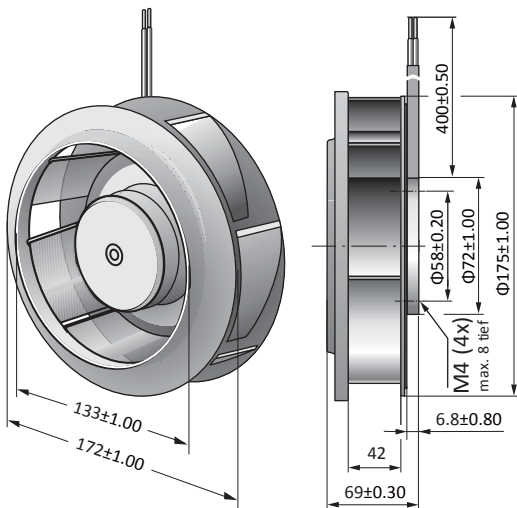


Specifications

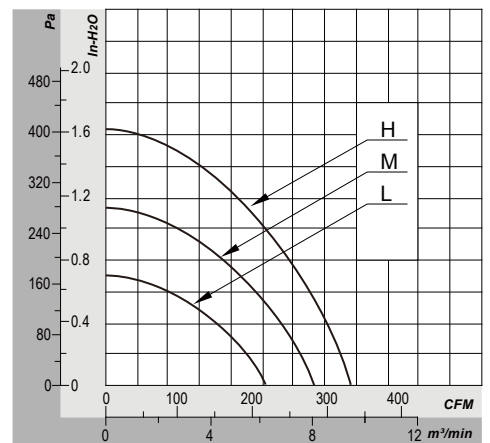
| Model | #Bearing Type | Rated Voltage | Operating Voltage | Input Current | Input Power | Speed | Max Air Flow | | Max Static Pressure | | Noise | Weight |
|-------------|---------------|---------------|-------------------|---------------|-------------|-------|--------------|---------------------|-----------------------|--------|-------|--------|
| Part No. | B.S | VDC | VDC | Amp | Watt | RPM | CFM | m ³ /min | Inch-H ₂ O | Pa | dB-A | g |
| DB17569B24H | B | 24 | 14.0~27.6 | 2.00 | 48.00 | 3000 | 332.54 | 9.41 | 1.60 | 398.27 | 64.0 | 780.0 |
| DB17569B24M | B | 24 | 14.0~27.6 | 1.20 | 28.80 | 2500 | 277.12 | 7.84 | 1.11 | 276.58 | 59.0 | 780.0 |
| DB17569B24L | B | 24 | 14.0~27.6 | 0.75 | 18.00 | 2000 | 221.69 | 6.27 | 0.71 | 177.11 | 54.0 | 780.0 |
| DB17569B48H | B | 48 | 28.0~56.0 | 1.00 | 48.00 | 3000 | 332.54 | 9.41 | 1.60 | 398.27 | 64.0 | 780.0 |
| DB17569B48M | B | 48 | 28.0~56.0 | 0.60 | 28.80 | 2500 | 277.12 | 7.84 | 1.11 | 276.58 | 59.0 | 780.0 |
| DB17569B48L | B | 48 | 28.0~56.0 | 0.35 | 16.80 | 2000 | 221.69 | 6.27 | 0.71 | 177.11 | 54.0 | 780.0 |

Specifications are subject to change without notice. Please visit our website at <http://www.szhxht.com> for update information

Dimensions (Unit:mm)



PQ Curve (At rated Voltage)



19069

Φ190x69MM

General Specifications

- ◆ Material..... Pillow: Die-Cast Aluminum
Impeller: Plastic (UL94V-0)
Lead Wire: UL1007AWG#20 or Equivalent (+) Red, (-) Black
- ◆ Expected Life..... Ball Bearing 50,000hrs (40°C)
- ◆ Temperature Range.... Operating temperature -10°C~70°C (Non-condensing)
Storage temperature -40°C~70°C (Non-condensing)
- ◆ Safety Standards..... UL, TUV, RoHS, CE
- ◆ DC Fan Specials..... RD, FG, PWM, Temperature control, IP56

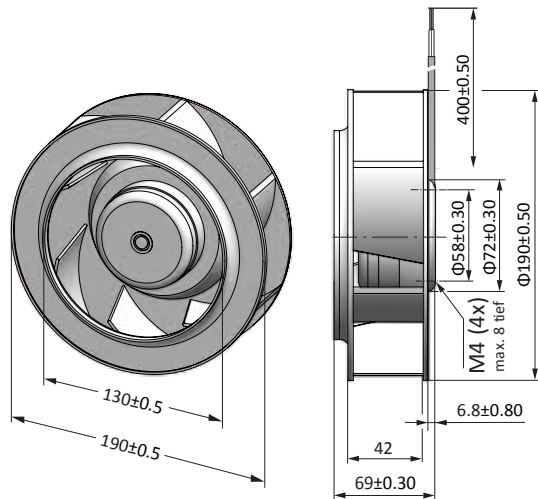


Specifications

| Model | #Bearing Type | Rated Voltage | Operating Voltage | Input Current | Input Power | Speed | Max Air Flow | | Max Static Pressure | | Noise | Weight |
|-------------|---------------|---------------|-------------------|---------------|-------------|-------|--------------|---------------------|-----------------------|--------|-------|--------|
| Part No. | B.S | VDC | VDC | Amp | Watt | RPM | CFM | m ³ /min | Inch-H ₂ O | Pa | dB-A | g |
| DB19069B24H | B | 24 | 14.0~27.6 | 2.60 | 48.00 | 3000 | 371.10 | 10.50 | 1.92 | 477.92 | 69.0 | 830.0 |
| DB19069B24M | B | 24 | 14.0~27.6 | 1.40 | 24.00 | 2500 | 309.25 | 8.76 | 1.34 | 331.90 | 65.0 | 830.0 |
| DB19069B24L | B | 24 | 14.0~27.6 | 0.80 | 16.80 | 2000 | 247.40 | 7.01 | 0.85 | 212.40 | 60.0 | 830.0 |
| DB19069B48H | B | 48 | 28.0~56.0 | 1.30 | 12.00 | 3000 | 371.10 | 10.50 | 1.92 | 477.92 | 69.0 | 830.0 |
| DB19069B48M | B | 48 | 28.0~56.0 | 0.80 | 48.00 | 2500 | 309.25 | 8.76 | 1.34 | 331.90 | 65.0 | 830.0 |
| DB19069B48L | B | 48 | 28.0~56.0 | 0.60 | 28.80 | 2000 | 247.40 | 7.01 | 0.85 | 212.40 | 60.0 | 830.0 |

Specifications are subject to change without notice. Please visit our website at <http://www.szhxht.com> for update information

Dimensions (Unit:mm)



PQ Curve (At rated Voltage)

