

Type Drum Type

Electrical Parameters

Specifications

Core Type Drum Type

Design

Core Type Radial Type

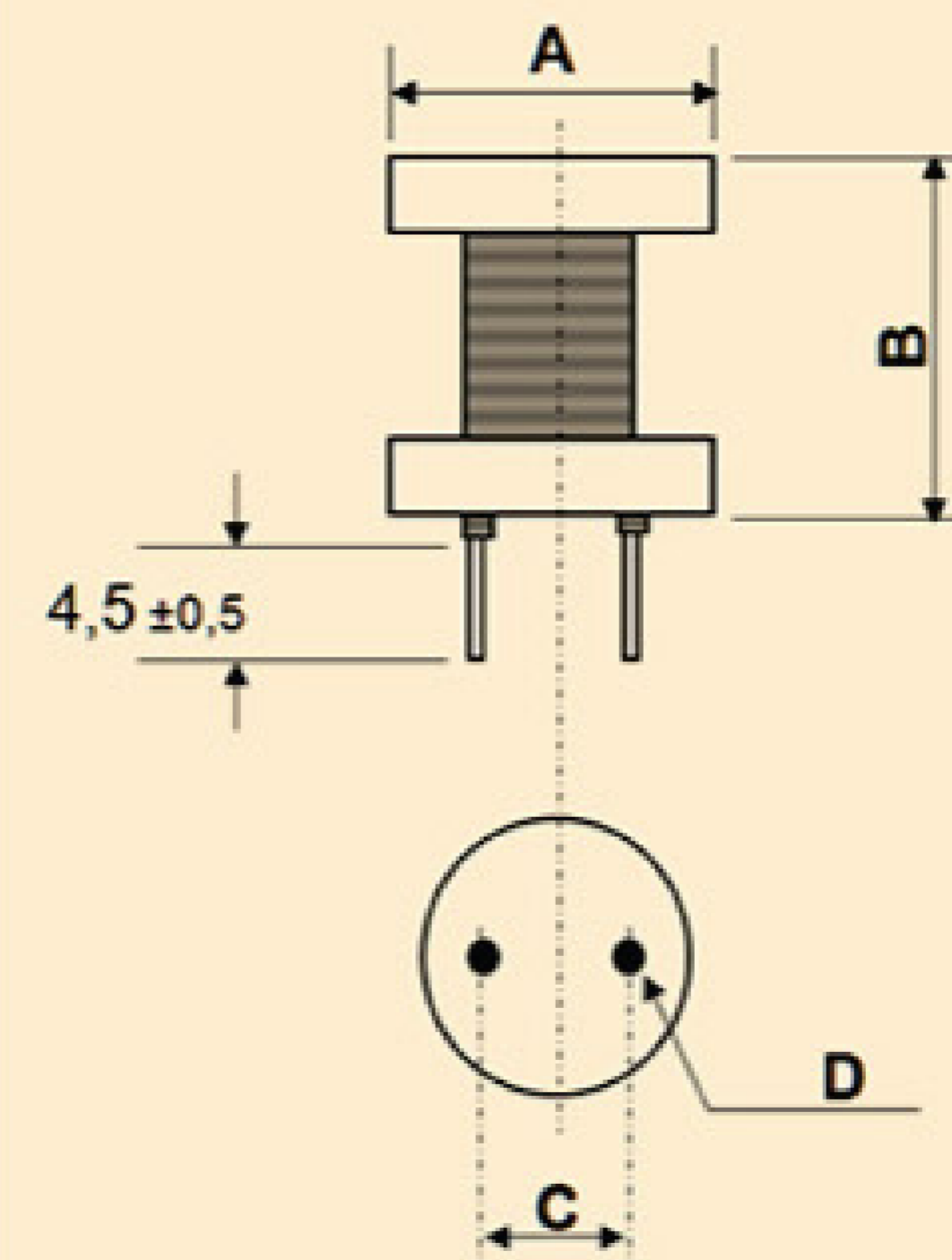
Environment

Operating Temperature -20°C to + 80°C

Further Features

Bobbin, UL94V-0 Recognized Materials
RoHS Compliant
Custom Design Available

Technical Drawing



Type	A	B	C	D
DRW8x10	8	10	5	ø0,8
DRW9x12	8	12	5	ø0,8
DRW12x15	12	15	7,5	ø0,8
DRW14x15	14	15	10	ø0,8