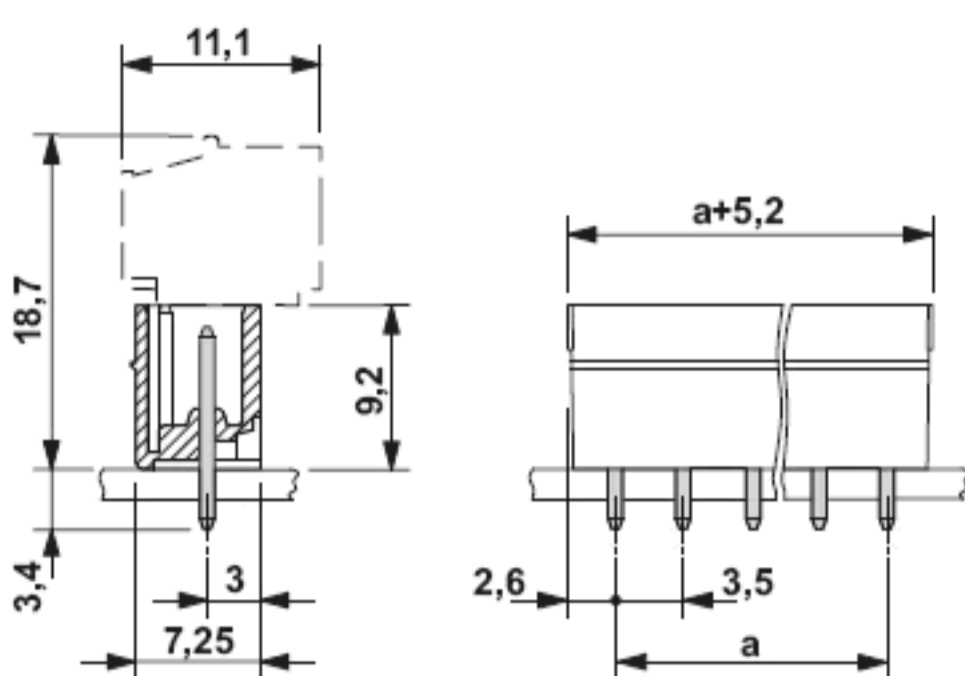


APPROVALS: RoHS (submitted) (submitted)

PART NO.: 15EGTVC-3.5

- Pluggable Terminal Block,
- Nominal Current (IEC): 7A
- Rated Voltage (IEC): 250V
- Number of Positions: 2P-24P
- Standard Color: Green
- Contact Surface: Tin
- Connection Method: Soldering

DRAWINGS:



www.cngolten.com
golten@cngolten.com

Tel: +86-574-63204122

1/3
18/5/2013

TECHNICAL DATA:

Electrical		
Standard	UL	IEC
Rated voltage	300V	250V
Rated current	8A	7A
Rated impulse voltage	2.5KV	
Mechanical		
Ambient temperature	-40°C~+105°C	
Dimensions		
Pitch	3.5mm(.138")	
Poles	2P-24P	
Material		
Housing	PA66.UL94V-0	
Pin header	Brass,Tin plated	

APPLICATION:

Elevator, Industry, Security, Instrument, Machinery, Energy, Communication, Lighting, Construction, Electrical

MATCHING PARTS:

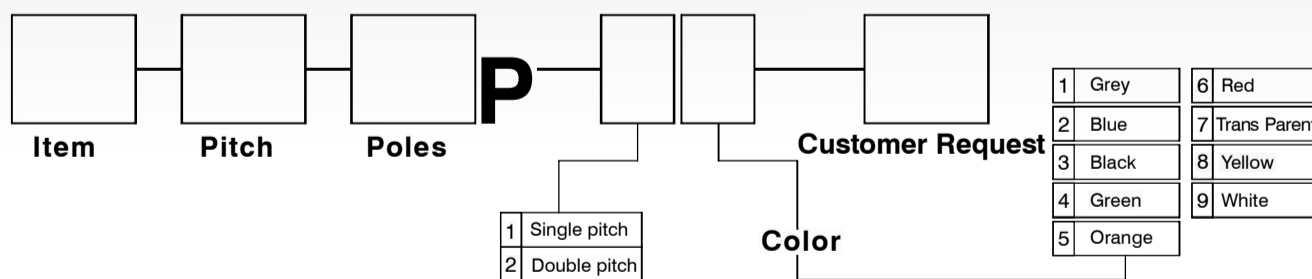
female parts \ male parts	15EGTK-3.5	15EGTKM-3.5	15EGTKA-3.5	15EGTKAM-3.5	15EGTKB-3.5	15EGTKBM-3.5
15EGTVC-3.5	•	•	•	•	•	•

www.cngolten.com
golten@cngolten.com

Tel: +86-574-63204122

2/3
18/5/2013

HOW TO ORDER:



PACKING:

Item	Number of Poles	PCS/Box A	PCS/Box B	PCB/Carton	GW/CTNS(KG)	
15EGTVC-3.5	2		3000	12000	6	
	3		2000	8000	6	
	4		1600	6400	6	
	5		1200	4800	6	
	6		1000	4000	6	
	7		1000	4000	6	
	8		1625	6500	11	
	9		1490	5960	11	
	10		1300	5200	11	
	11		1225	4900	11	
	12		1125	4500	11	
	13					
	14			950	3800	11
	15					
	16			825	3300	11
	17					
	18			750	3000	11
	19			675	2700	11
	24			550	2200	11

Remark: Box A Dimension: 20*13.5*7(cm); Box B Dimension: 26*20*10(cm)
Carton Dimension: 42*28*23(cm)

www.cngolten.com
golten@cngolten.com

Tel: +86-574-63204122

3/3
18/5/2013