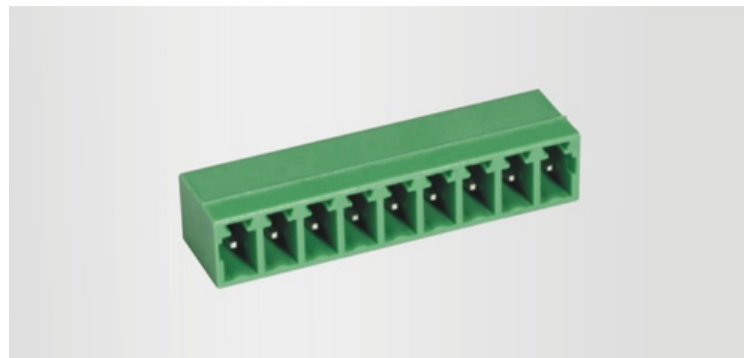


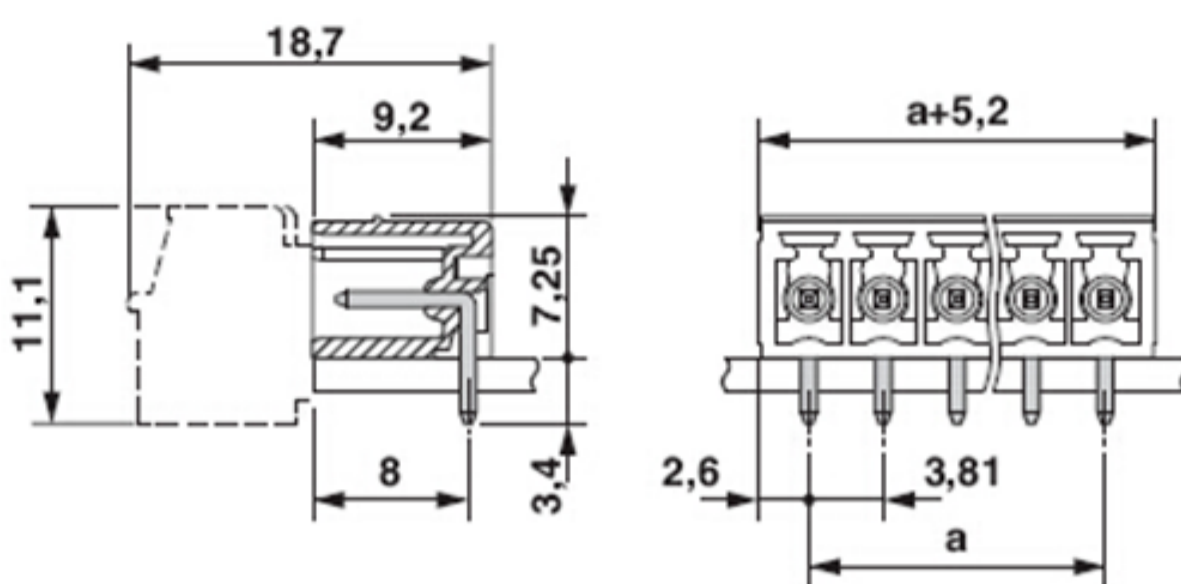
APPROVALS: RoHS (submitted) (submitted)



PART NO.: 15EGTRC-3.81

- Pluggable Terminal Block,
- Nominal Current (IEC): 7A
- Rated Voltage (IEC): 250V
- Number of Positions: 2P-24P
- Standard Color: Green
- Contact Surface: Tin
- Connection Method: Soldering

DRAWINGS:



www.cngolten.com
golten@cngolten.com Tel: +86-574-63204122

1/3
18/5/2013

TECHNICAL DATA:

Electrical		
Standard	UL	IEC
Rated voltage	300V	250V
Rated current	8A	7A
Rated impulse voltage	2.5KV	
Mechanical		
Ambient temperature	-40°C~+105°C	
Dimensions		
Pitch	3.81mm(.150")	
Poles	2P-24P	
Material		
Housing	PA66.UL94V-0	
Pin header	Brass,Tin plated	

APPLICATION:

Elevator, Industry, Security, Instrument, Machinery, Energy, Communication, Lighting, Construction, Electrical

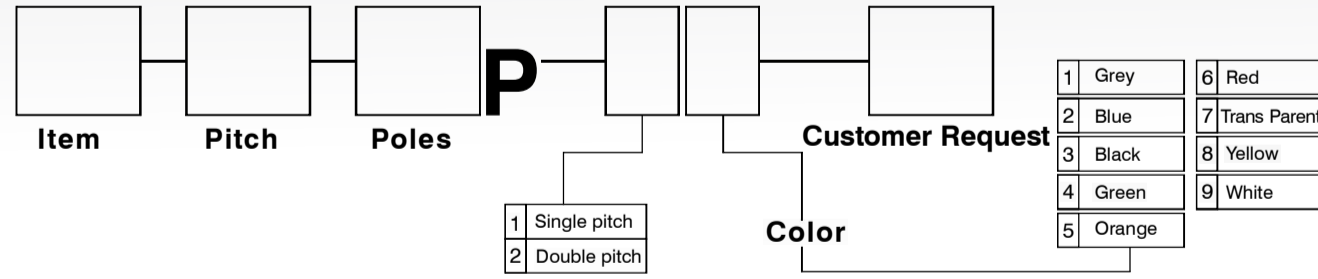
MATCHING PARTS:

female parts \ male parts	15EGTK-3.81	15EGTKM-3.81	15EGTKA-3.81	15EGTKAM-3.81	15EGTKB-3.81	15EGTKBM-3.81
15EGTRC-3.81	•	•	•	•	•	•

www.cngolten.com
golten@cngolten.com Tel: +86-574-63204122

2/3
18/5/2013

HOW TO ORDER:



PACKING:

Item	Number of Poles	PCS/Box A	PCS/Box B	PCB/Carton	GW/CTNS(KG)	
15EGTRC-3.81	2		3000	12000	6	
	3		2000	8000	6	
	4		1600	6400	6	
	5		1200	4800	6	
	6		1000	4000	6	
	7		1000	4000	6	
	8		2100	8400	14	
	9		1825	7300	14	
	10		1675	6700	14	
	11		1500	6000	14	
	12		1400	5600	14	
	13		1300	5200	14	
	14		1175	4700	13	
	15		1100	4400	13	
	16		1050	4200	13	
	17					
	18			850	3400	11
	19			875	3500	14
	20			875	3500	14
	21					
	22			775	3100	14

Remark: Box A Dimension: 20*13.5*7(cm); Box B Dimension: 26*20*10(cm)
Carton Dimension: 42*28*23(cm)

www.cngolten.com
golten@cngolten.com Tel: +86-574-63204122

3/3
18/5/2013