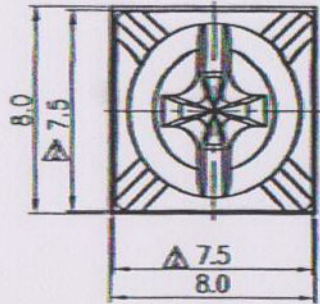
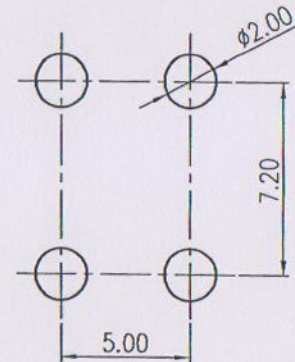
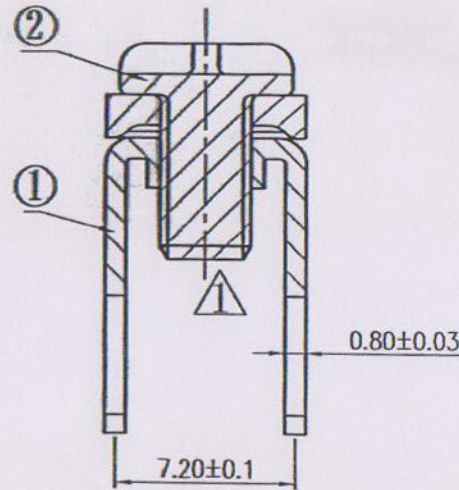
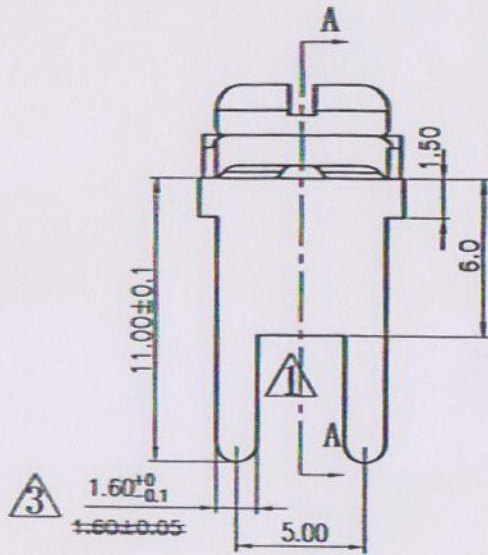


REVISION RECORD					
REV	ENC	QTY	DESCRIPTION	DRFT	DATE
T1		△	Engineering Change	Zengy	09/12/08*
T2		△	Increased gasket DIM	LJH	12/24/08*
T3	09-0029	△	Change pin tolerance	Mickey	08/28/09*



NOTES:
 1. Max. Torque Value: M3.5, 8.16kgf. cm;
 2. Wire Range: 18-14AWG;

Pitch range in mm		Nominal dimension range in mm						
to 6	over 6 to 10	over 10 to 24	to 30	over 30 to 60	over 60 to 100	over 100 to 150	—	
±0.10	±0.15	±0.25	±0.2	±0.3	±0.5	±0.7	±1.0	
							0.05/0	



section A-A



2	K14 (M3.5*6.0) bright screw	S000000990 (H)	1	Steel	Ni plated
1	K14-pin	C1410 (H)	1	Brass	SnGe
ITEM	NAME OF PART	NO. OF PART	Q*TY	MATERIAL	NOTES
DFTD WF DATE 09/01/06* CHKD <i>MM</i> DATE 9/2/09 MFO DATE APPV <i>Hang</i> DATE 10/27/09		宁波高正电子有限公司 DEGSON DEGSON ELECTRONICS CO., LTD			
TOLERANCES EXCEPT AS NOTED .0 ± .00 ± .000 ±		NAME K14-00A(H)			
ANGLES ± ° THIRD ANGLE PROJECTION		G.E : FINISH : SCALE : 1:1		DRAWING NO. K14-E02 /PART NO. SIZE A3 REV T3 08/28/09	
DO NOT SCALE DRAWING			SHEET 1 OF 1		