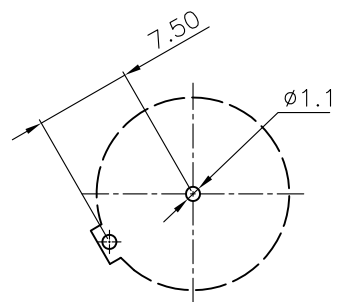
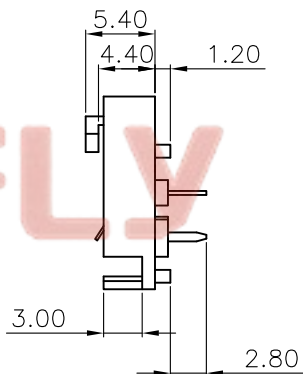
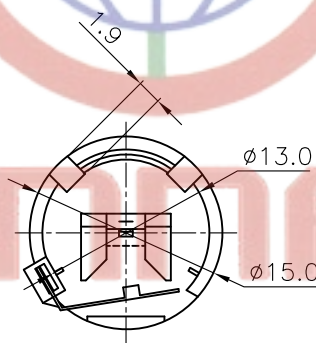
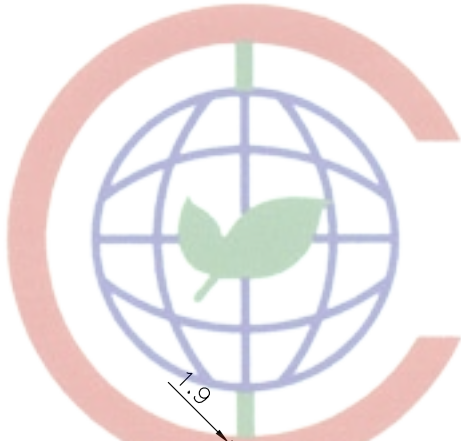


REV.	DESCRIPTION	DRAWN	CHECKED	APPROVED
A	NEW RELEASE	YCH 08/07/12'	~	



Recommend PCB Layout
Tolerance=±0.05

NOTE:

- Materials:
 - 1.1 Base: Thermoplastic,UL94 V-0,Color of black.
Temp.Range: -40°C to +105°C.
 - 1.2 Positive & Negative Contacts: Copper Alloy.
- Specification:
 - 2.1 Dielectric Withstanding Voltage: AC 500V AC.
 - 2.2 Insulation Resistance: 1000MΩ min.
 - 2.3 Contact Resistance: 100mΩ Max.
- Part Number Code:
DS1092-15 - X X X

Housing material:
 P: PBT
 Contact plating:
 6: Tin
 Housing color:
 B: Black

Tel:86-574-63508787
 Fax:86-574-63510817
 E-mail:sale@zhenqin.com.cn
 Http://www.connfly.com

GENERAL TOLERANCE		ANGLE TOLERANCE		PROJECTION		TITLE	
X.	±0.60	X.	±5°	UNITS	mm	1220 Lithium Coin Cell Battery Holders Horizontal insert type	
.X	±0.38	.X	±3°	SHEET SIZE	A4	SERIES	DS1092-15 Series
.XX	±0.25	.XX	±2°	晨翔电子有限公司 CONNFLY CONNFLY ELECTRONIC CO. LTD			
DRAWING TYPE		CUSTOMER					
SCALE	1:1	SHEET	10F1				
DRAWING NO.		C-DS1092-15-XXX-A					