

Gas Discharge Tube: GF4 Series

SMD 2-Electrode $\Phi 4.2 \times T4/T3.5$ mm Type



■ Features

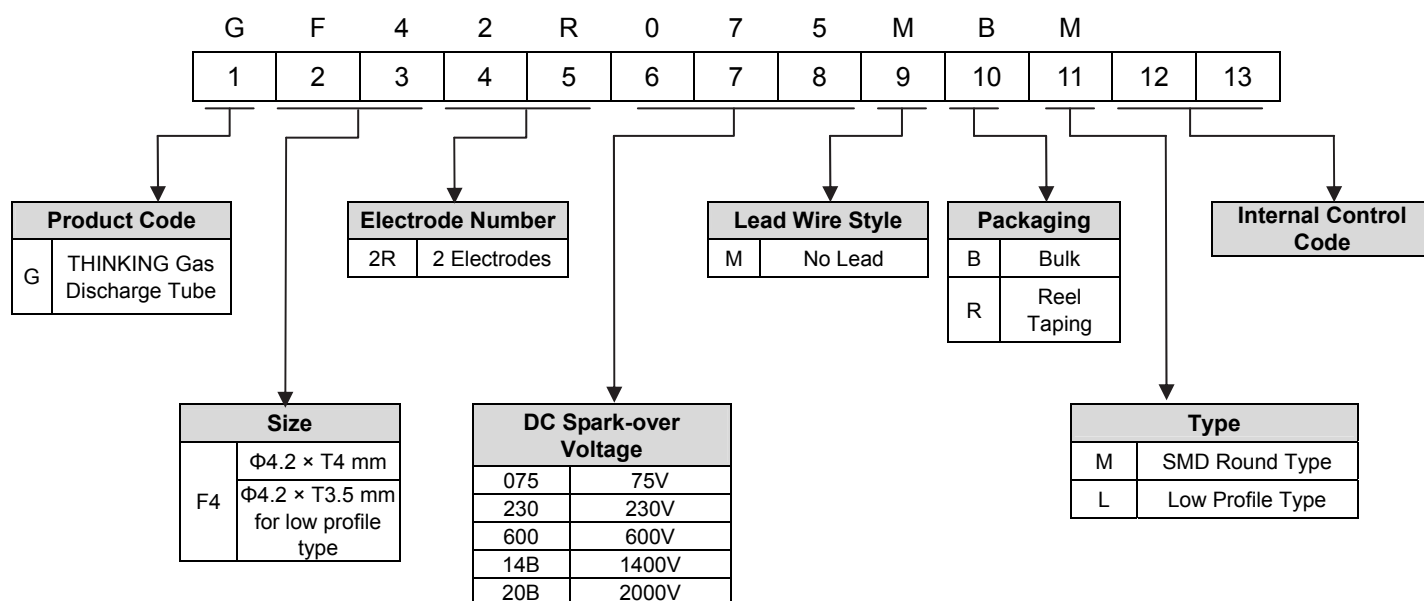
1. RoHS & HF compliant
2. SMD type series
3. DC spark-over voltage: 75~2000V
4. Low capacitance
5. Agency recognition :UL / cUL
6. Operating temperature : $-40^{\circ}\text{C} \sim +85^{\circ}\text{C}$
Storage temperature: $-40^{\circ}\text{C} \sim +115^{\circ}\text{C}$



■ Recommended Applications

1. Cable Modem
2. xDSL
3. Set-Top Box
4. TV sets
5. Power supplier
6. Consumer electronics

■ Part Number Code



Gas Discharge Tube: GF4 Series

SMD 2-Electrode $\Phi 4.2$ x T4/T3.5 mm Type



■ Characteristics

Part No.	DC Spark-over Voltage	Maximum Impulse Breakdown Voltage		Max. Impulse Discharge Current (8/20 μ s)		Impulse Life (10/1000 μ s)	Normal Alternating Discharge Current	DC Holdover Voltage	Minimum Insulation Resistance	Maximum Capacitance (1MHz)	Safety Approvals			
	100V/S	100V/ μ s	1KV/ μ s	1 time	10 times	100A	50Hz 1Sec	<150ms			(G Ω)	(pF)	UL 1449/cUL	UL 497B
	(V)	(V)	(V)	(KA)		(Times)	(A)	(V)					(V)	(V)
GF42R075MRM	75 \pm 20%	700	800	5	3	300	3	52	1	0.5		√		
GF42R090MRM/L	90 \pm 20%	700	800					52			√			
GF42R145MRM/L	145 \pm 20%	700	800					52			√			
GF42R230MRM/L	230 \pm 20%	600	700					80			√			
GF42R250MRM/L	250 \pm 20%	600	700					80			√			
GF42R300MRM/L	300 \pm 20%	600	700					150			√			
GF42R350MRM/L	350 \pm 20%	650	800					150			√			
GF42R400MRM/L	400 \pm 20%	700	800					150			√			
GF42R470MRM/L	470 \pm 20%	800	900					150			√			
GF42R600MRM/L	600 \pm 20%	900	1000					150			√			
GF42R800MRM	800 \pm 20%	1300	1400	3	2	100	2	150		√				
GF42R10BMRM	1000 \pm 20%	1500	1600					150	√					
GF42R12BMRM	1200 \pm 20%	1700	1800					150	√					
GF42R15BMRM	1500 \pm 20%	2000	2100					150	√					
GF42R18BMRM	1800 \pm 20%	2500	2600					150	√					
GF42R20BMRM	2000 \pm 20%	2700	2800					150	√					

Note1: L is for low profile type

Note2: UL 497B File No: E245070, UL 1449 3rd File No: E314979

Note3: Insulation resistance test condition:

DC Spark-over Voltage	DC Measuring Voltage
70-90V	50V
120-400V	100V
470-800V	250V
1000-2000V	500V

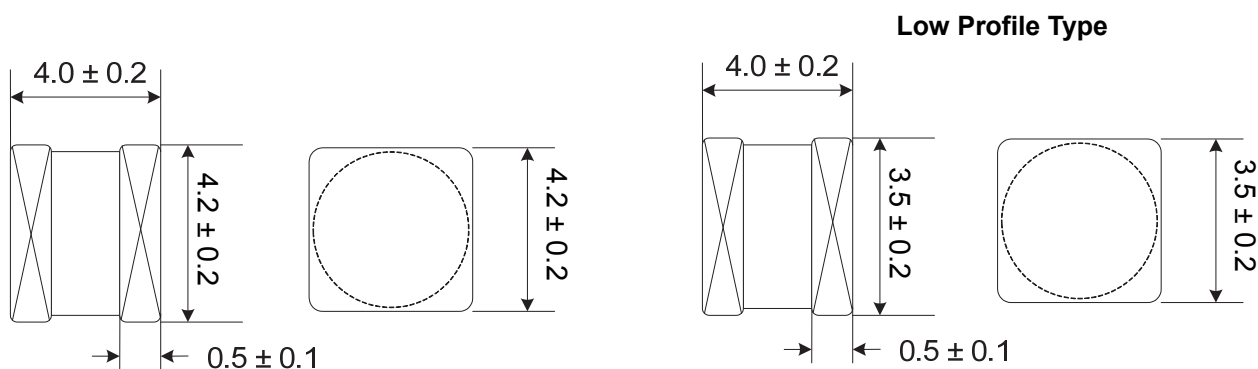
Gas Discharge Tube: GF4 Series

SMD 2-Electrode $\Phi 4.2$ x T4/T3.5 mm Type



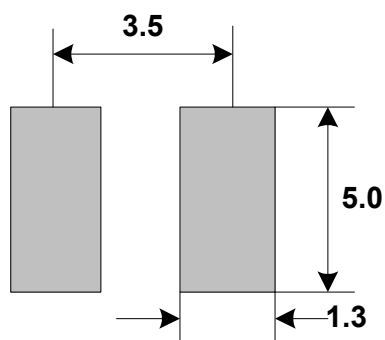
■ Dimension

(Unit: mm)



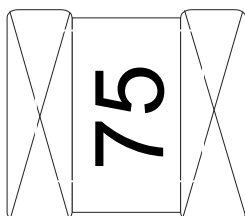
■ Recommended Pad Size

(Unit: mm)



■ Marking

Example:GF42R075MRM



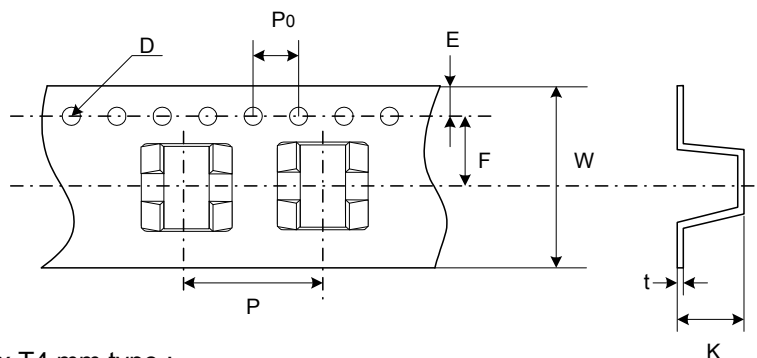
Gas Discharge Tube: GF4 Series

SMD 2-Electrode $\Phi 4.2$ x T4/T3.5 mm Type



■ Packaging

● Taping



◆ For $\Phi 4.2$ x T4 mm type :

Quantity: 900pcs per reel (13")

(Unit: mm)

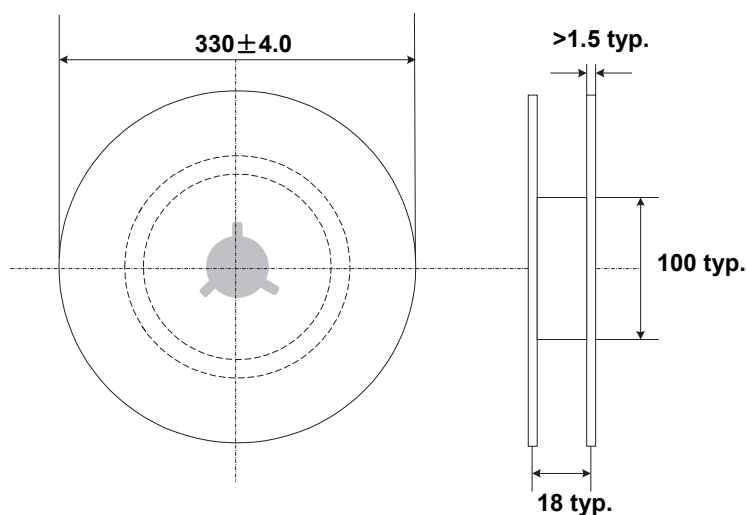
Item	P	P0	W	F	E	D	K	t
Spec.	12.0	4.0	16.0	7.5	1.75	$\Phi 1.55$	4.6	0.5
Tolerance	± 0.1	± 0.1	± 0.3	± 0.1	± 0.1	± 0.05	+0.2,-0.1	± 0.05

◆ For $\Phi 4.2$ x T3.5 mm low profile type :

Quantity: 2,000pcs per reel (13")

(Unit: mm)

Item	P	P0	W	F	E	D	K	t
Spec.	8.0	4.0	16.0	7.5	1.75	$\Phi 1.55$	3.9	0.4
Tolerance	± 0.1	± 0.1	± 0.3	± 0.1	± 0.1	± 0.05	± 0.1	± 0.05



■ Warehouse Storage Conditions of Products

● Storage Conditions:

1. Storage Temperature: $-10^{\circ}\text{C} \sim +40^{\circ}\text{C}$
2. Relative Humidity: $\leq 75\% \text{RH}$
3. Keep away from corrosive atmosphere and sunlight.

● Period of Storage: 1 year