

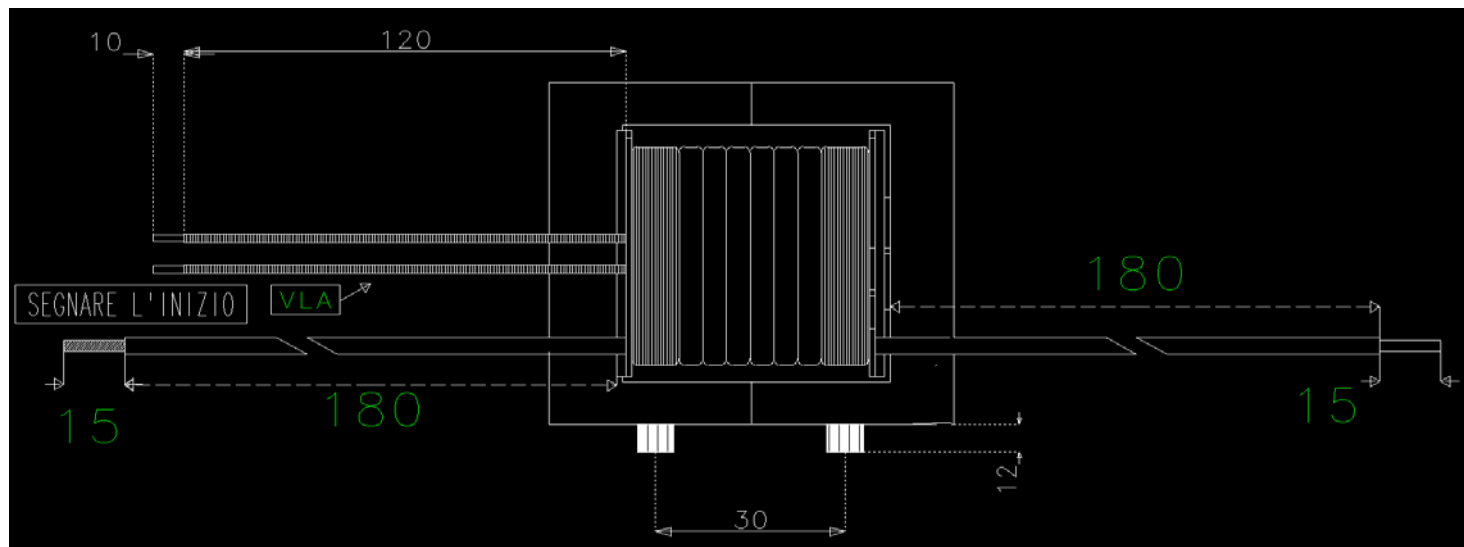
**DESCRIPTION DATA:**

 UTK Part Number **U165142** Description: **E65 Power Transformer**

 Customer: **Ozdisan**

Customer Part Number: \_\_\_\_\_

Ref. Your Data Sheet/Drawing n° \_\_\_\_\_

 UTK Data Sheet N. **131121A**

**ELETRICAL DATA:**

Inductance (1-2)	<b>Lp</b>	<b>450µH ±10% (@ 10KHz / 1V)</b>
Secondary Current	<b>Is</b>	<b>30A</b>
Working Frequency	<b>f</b>	<b>Max 100kHz</b>
High Voltage Test (1-2 vs cores)	<b>Up</b>	<b>3kVac 50Hz 1'</b>

 Costruito in accordo alle Norme di Isolamento **CEI EN 61558 e CEI EN 60950**
**MATERIAL LIST:**

Item
Litz wire 6mmq
Coil Former E65
1 set Ferrite Cores E65/32/27 - 3C90
Insulation winding NM5 Aramidic Paper/Polyester
Triple insulation wire 0,8mm
White tape H.30mm
Sleeves 15C4
Finish treatment with clear Baking Varnish Hi-Therm BC-359