



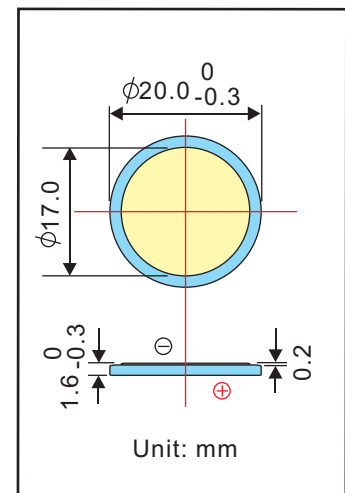
# CR2016 *Brief Datasheet*

## Lithium Manganese Dioxide Coin Batteries

### 1 BASIC SPECIFICATION

Nominal Voltage(V)	3.0
Nominal Capacity(mAh) Continuous discharge with 15k $\Omega$ to 2.0V cut-off, +23°C	85
Continuous standard load (k $\Omega$ )	15
Operating temperature (°C)	-20~ +60
Weight (g)	1.7

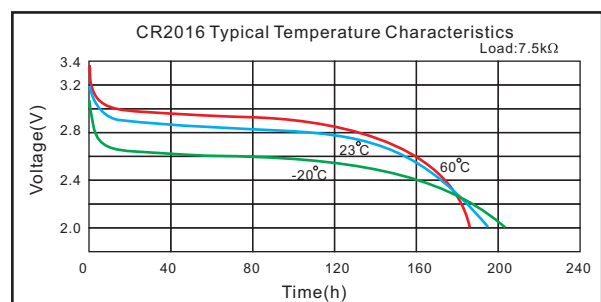
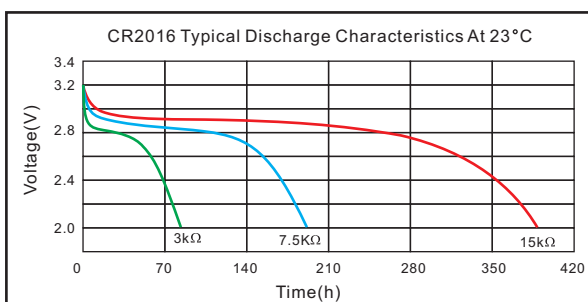
Note: Typical values relative to cells stored for three months at 23°C.



### 2 MAIN FEATURES

- ◆ Light Weight, High Voltage and High Energy Density.
- ◆ Excellent Stable Discharge Characteristics and outstanding Temperature Characteristics.
- ◆ Excellent Leakage Resistance and Excellent Long-term Reliability.

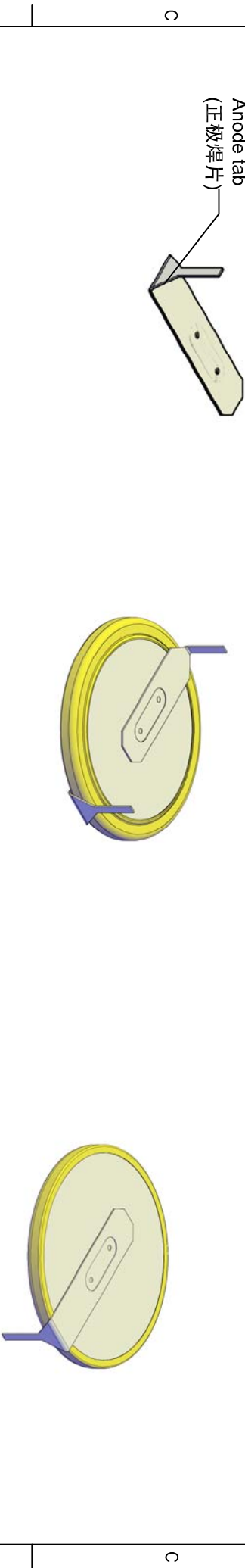
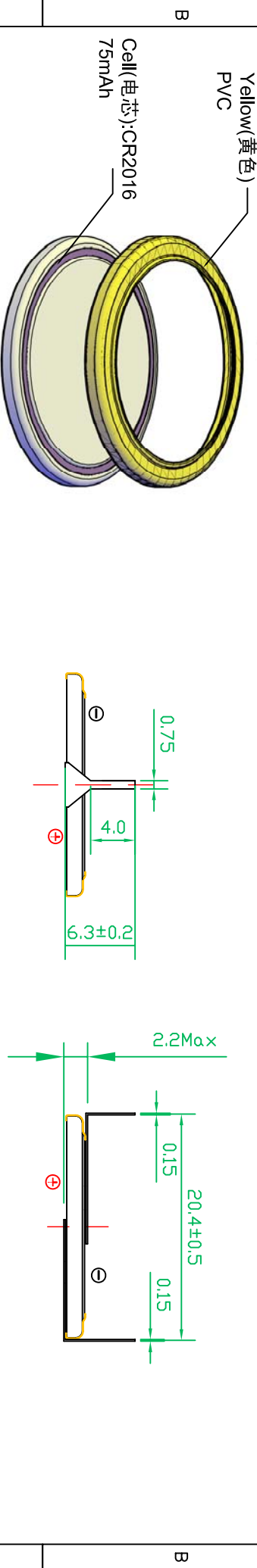
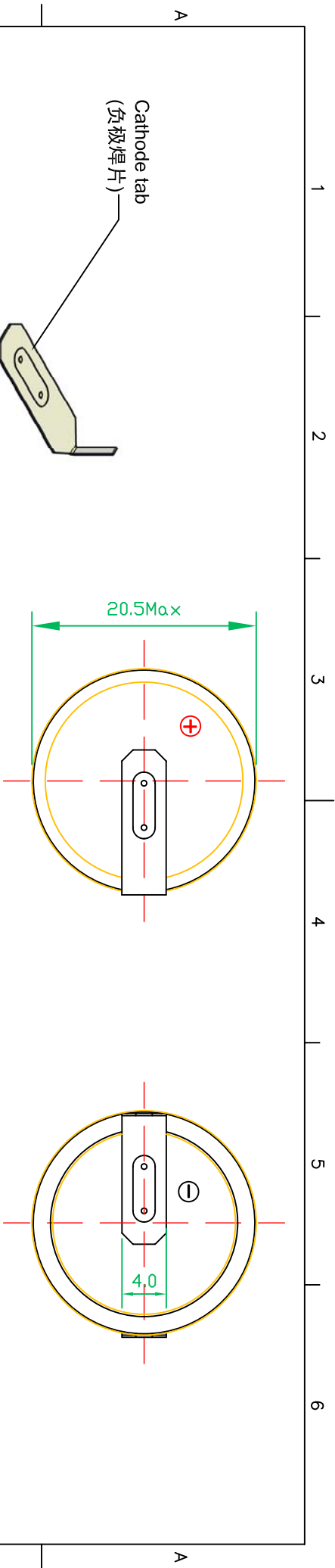
### 3 ELECTRICAL CHARACTERISTICS



### 4 WARNING!

- ◆ Do not recharge, short-circuit, disassemble, deform, heat or place the battery near a direct flame. Any of the above actions could cause it to ignite explode or become damaged.
- ◆ Keep this battery out of the reach of children.
- ◆ When storing the battery or throwing it away, be sure to cover it with tape.

Note: Any representations in this brochure concerning performance, are for informational purposes only and are not construed as warranties either expressed or implied, of future performance.



Remark(备注):  
 1. Cell(电芯): Button, Yellow PVC, with date code(扣式, 包黄色 PVC, 表面喷码)  
 2. Cathode/Anode tab: Stainless steel plated with nickel  
 正/负极焊片材质: 不锈钢镀镍  
 3. RoHS Compliant  
 严格按照ROHS要求生产

		Drawn:	Moyongdi	Revise No.:	E4-2009
		Checked 1:	Ellen	Projection:	
Title	CR2016-VBY2	Checked 2:		Page:	1/1
File NO.	A04154	Approved:		Scale:	2 : 1
		Draw Date:	2010/12/29	Unit:	mm