

WH148-1A-2 金属轴旋转式碳膜电位器

(WH148-1A-2 ROTARY POTENTIOMETERS WITH METAL SHAFT)

一般事项

- 此规格适用于电子设备之可变电阻器
- 使用温度范围: $-10^{\circ} \sim 100^{\circ}$

General

- This specification is applied to potentiometers used for electronic equipment.
- Operating temperature: $-10^{\circ} \sim 100^{\circ}$

特点

- 长寿命, 低成本
- 手感柔和, 可带中心软定位
- 阻值线性多样化

Features

- Long life model, low cost
- Better feeling, center detent available
- Special tapers.

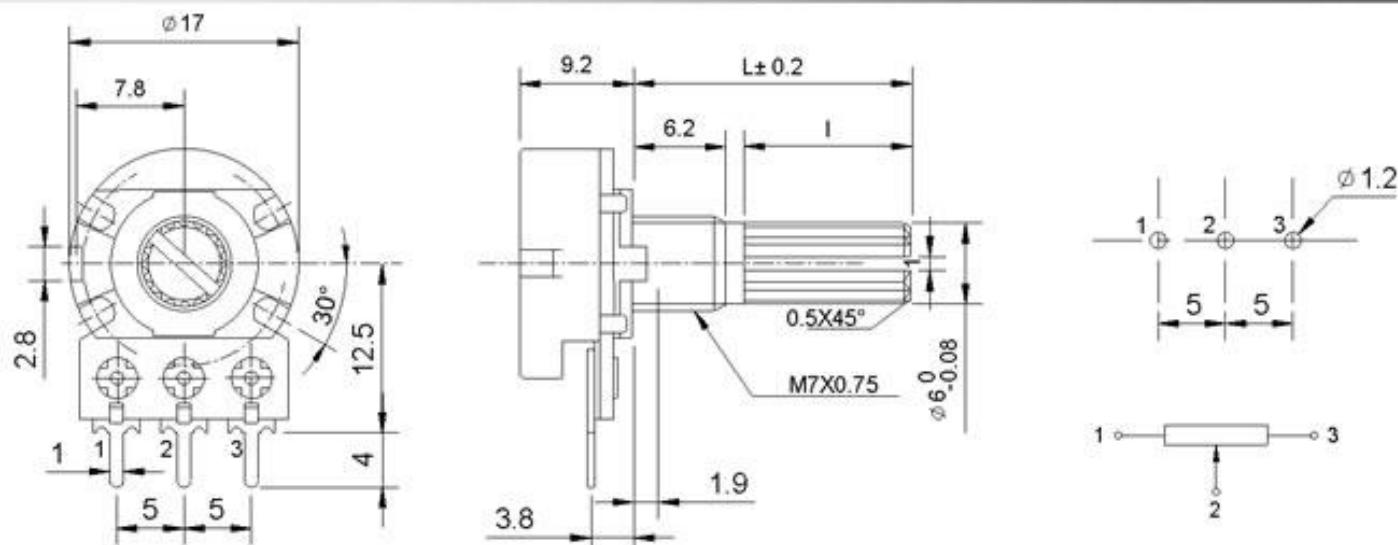
用途

- 多媒体, 音箱, 功放等

Applications

- Multimedia, computer speaker, stereos, amplifier etc

外形图及安装尺寸 OUTLINE DRAWING AND MOUNTING HOLE DETAIL



性能说明 CHARACTERISTICS

项目 ITEM		规格 SPECIFICATION
电气性能 Electrical Characteristics	工作温度 Temp Range	-10℃~100℃
	额定功率 Rated Power	Curve B:0.125W Other curve B:0.053W
	最大工作电压 Max Operation Voltage	Curve B:200V Other curve B:150V
	阻值范围 Resistance Range	1KΩ~2MΩ
	阻值允许偏差 Allow Desistance Tolerance	±20%(1MΩ or more30%)
	转动噪声 Rotational Noise	≤47mV
	终端电阻 Terminal Resistance	R≥250KΩ 0.1%R max 250KΩ>R>10KΩ 20Ω max 10KΩ≥R 10Ω max
	电阻规律 Resistance Law	A、B、C
	抗电强度 Dielectric	AC500V,1minute
	绝缘电阻 Insulation Resistance	More than 100MΩ at DC500V
机械性能 Mechanical Characteristics	旋转力矩 Rotational Torque	2~20 mN.m (20~200gf.cm)
	总旋转角度 Total Rotational Angle	300° ±5°
	旋转寿命 Rotary life	10,000 cycles
	止挡强度 Shaft Stopper Strength	6Kgf.cm
	轴推拉强度 Push Pull Strength	60 N
定位位置 Click position	Center detent or 10,20,40 position clicks	
焊接 Soldering		235°C±5°C: ≤3s