

SPECIFICATION

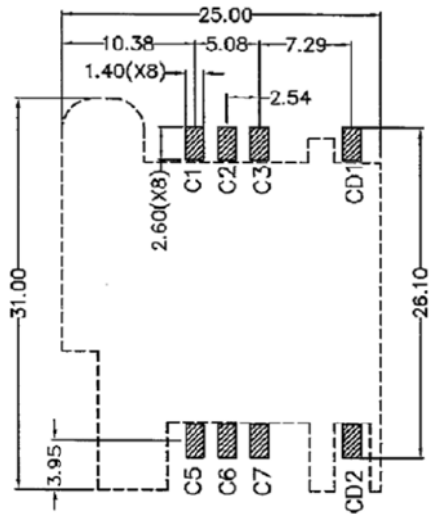
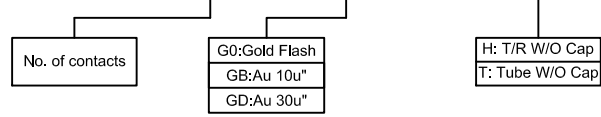
Current Rating: 1 AMP
 Insulation Resistance: 1000MΩ Min.
 Contact Resistance: 50mΩ typical, 100mΩ Max.
 Dielectric Voltage: 500V AC for one minute
 Operation Temperature: -25°C to +85°C
 Contact Force: 0.5N to 1.0N

MATERIAL

Insulator: Hi-Temp. Thermoplastic, UL 94V-0
 Contact : Copper Alloy

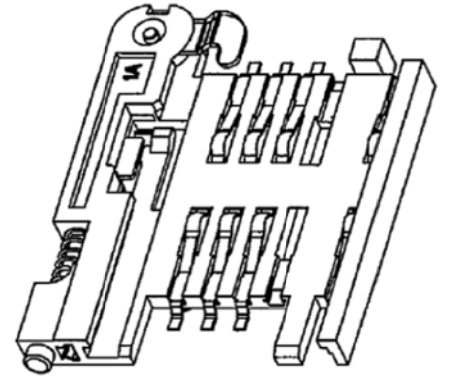
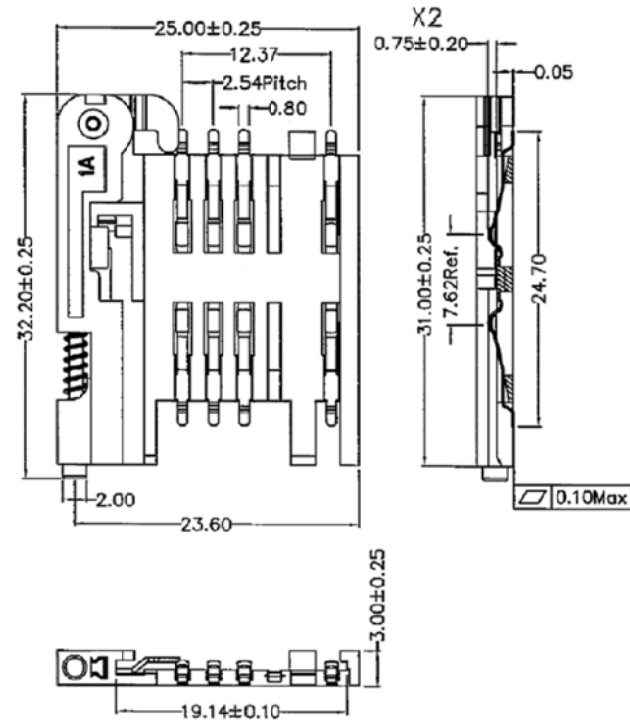
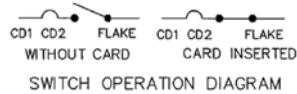
ORDER INFORMATION

5 K S I P - 0 6 X X N X H 0 1



P.C.B LAYOUT
TOLERANCE: ±0.1

ELECTRIC FUNCTION	DETECT SWITCH
WITHOUT CARD	OPEN
CARD INSERTED	CLOSED

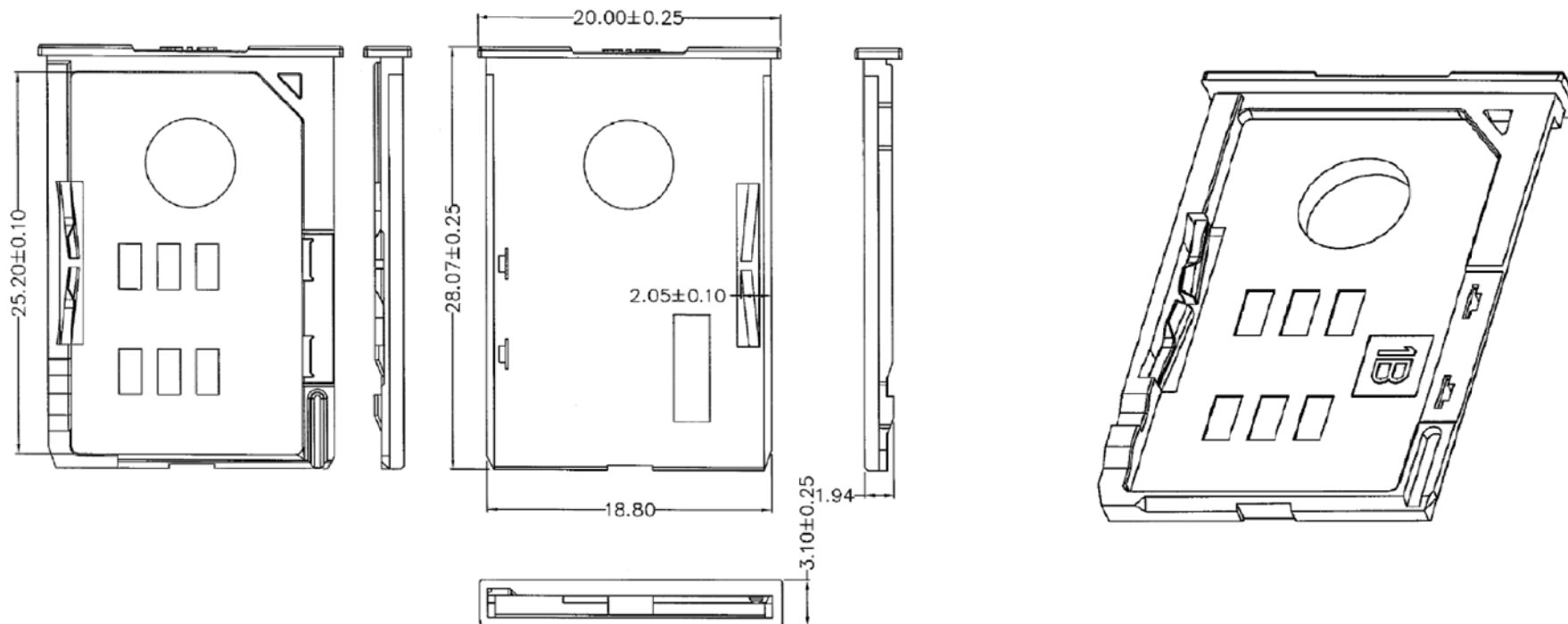


Old P/N: SIMCMP-30XX-U

REV.	ECN NO. OR DESCRIPTION	REVISED	DATE

糧德精密有限公司
Amtek Technology Co., Ltd.
TEL: 886-2-2260-6878
FAX: 886-2-2260-8030

品名 TITLE	SIM CARD CONNECTOR				頁數 Page	1/2
品號 PART NO.	5KSIP-06XXNXH01				繪圖 DRAWN	Gary 2017/07/12
圖號 DRAWING NO.	GW176-GA464	版本 REV.	A	核對 CHECKED	Carol 2017/07/12	
客戶品號 CUSTOMER P/N		比例 SCALE	None	承認 APPROVED	Jason 2017/07/12	
公差 TOLERANCE	±0.2 X°±3°	單位 UNIT	mm	THIRD ANGLE PROJECTION		



Old P/N: SIMCMP-30XX-U

REV.	ECN NO. OR DESCRIPTION	REVISED	DATE

糧德精密有限公司
 Amtek Technology Co., Ltd.
 TEL: 886-2-2260-6878
 FAX: 886-2-2260-8030

品名 TITLE	SIM CARD CONNECTOR				頁數 Page	2/2
品號 PART NO.	5KSIP-06XXNXH01			繪圖 DRAWN	Gary 2017/07/12	
圖號 DRAWING NO.	GW176-GA464	版本 REV.	A	核對 CHECKED	Carol 2017/07/12	
客戶品號 CUSTOMER P/N		比例 SCALE	None	承認 APPROVED	Jason 2017/07/12	
公差 TOLERANCE	±0.2 X°±3°	單位 UNIT	mm	THIRD ANGLE PROJECTION		