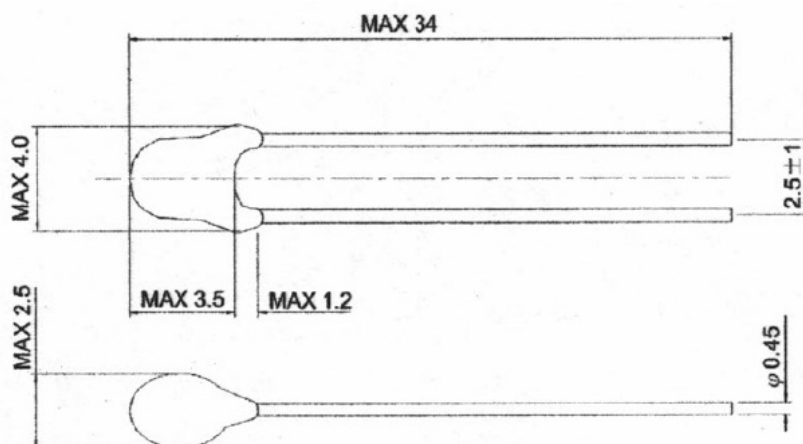


Specification :

ITEM NO:LM03-103 F-B=3435

Resistance (at 25°C)	10K Ω
Tolerance	±1 %
B Constant 25°C/ 85°C (K)	3435 ±1 %
Operating Temperature Range	-30 °C ~ 100 °C
Thermal Time Constant	15 seconds
Thermal Dissipation Constant	2 mW/°C
Max. allowable power	10 mW

Shape & Dimension : (Unit:mm)



Color of coating : BLACK

Material of coating : EPOXY

Ohm / Temperature figure

°C	KΩ	°C	KΩ	°C	KΩ	°C	KΩ	°C	KΩ	°C	KΩ	°C	KΩ
-30	111.3	-10	42.47	10	17.96	30	8.313	50	4.160	70	2.228	90	1.266
-29	105.7	-9	40.57	11	17.24	31	8.014	51	4.026	71	2.163	91	1.232
-28	100.5	-8	38.77	12	16.56	32	7.728	52	3.896	72	2.100	92	1.200
-27	95.52	-7	37.06	13	15.90	33	7.454	53	3.771	73	2.039	93	1.168
-26	90.84	-6	35.44	14	15.28	34	7.192	54	3.651	74	1.980	94	1.137
-25	86.43	-5	33.90	15	14.69	35	6.940	55	3.536	75	1.924	95	1.108
-24	82.26	-4	32.44	16	14.12	36	6.699	56	3.425	76	1.869	96	1.079
-23	78.33	-3	31.05	17	13.58	37	6.467	57	3.318	77	1.816	97	1.051
-22	74.61	-2	29.73	18	13.06	38	6.245	58	3.215	78	1.765	98	1.024
-21	71.10	-1	28.48	19	12.56	39	6.032	59	3.116	79	1.716	99	0.998
-20	67.77	0	27.28	20	12.09	40	5.827	60	3.020	80	1.668	100	0.973
-19	64.57	1	26.13	21	11.63	41	5.629	61	2.927	81	1.621		
-18	61.54	2	25.03	22	11.20	42	5.438	62	2.838	82	1.577		
-17	58.68	3	23.99	23	10.78	43	5.255	63	2.751	83	1.533		
-16	55.97	4	23.00	24	10.38	44	5.080	64	2.668	84	1.491		
-15	53.41	5	22.05	25	10.00	45	4.911	65	2.588	85	1.451		
-14	50.98	6	21.15	26	9.632	46	4.749	66	2.511	86	1.411		
-13	48.68	7	20.30	27	9.281	47	4.593	67	2.436	87	1.373		
-12	46.50	8	19.48	28	8.944	48	4.443	68	2.364	88	1.336		
-11	44.43	9	18.70	29	8.622	49	4.299	69	2.295	89	1.300		