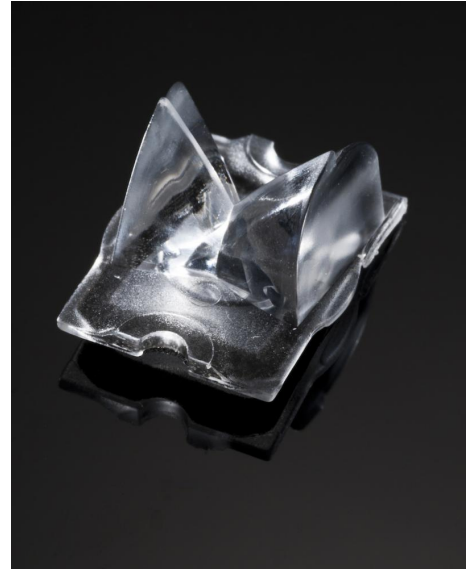


## DETAILS

<b>Product Number</b>	CA11426_STRADA-T-DW
<b>Family</b>	Strada-T
<b>Type</b>	Assembly
<b>Color</b>	clear
<b>Diameter</b>	19,6 x 15,5 mm
<b>Height</b>	10,7 mm
<b>Style</b>	rectang
<b>Optic Material</b>	PMMA
<b>Holder Material</b>	
<b>Fastening</b>	screw, pin, tape
<b>Status</b>	ready
<b>ROHS Compliant</b>	Yes
<b>Date Updated</b>	6/11/2015

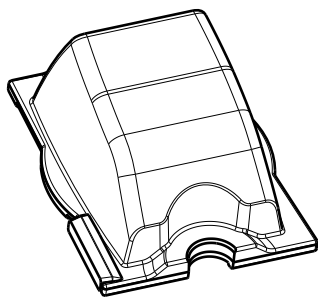


## OPTICAL PROPERTIES

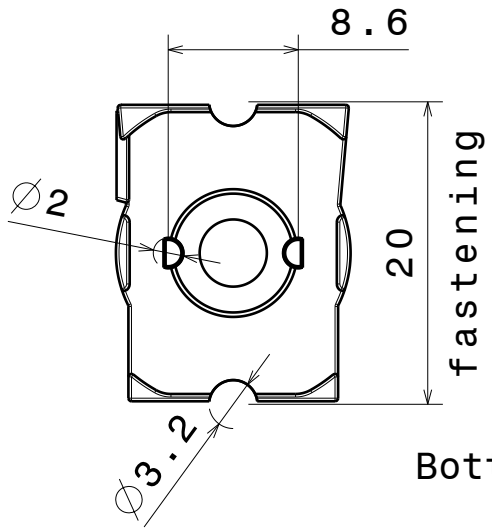
LED	Viewing Angle	Light Beam	Efficiency	cd/lm	Connector
Oslon SSL 80	Asymmetric deg	Streetligh...	92 %	-	-
XP-E	Asymmetric deg	Streetligh...	92 %	sim: 0.000	-
XP-G	Asymmetric deg	Streetligh...	92 %	sim: 0.000	-
NCSxx19A	Asymmetric deg	Streetligh...	92 %	-	-
LUXEON Rebel	Asymmetric deg	Streetligh...	92 %	sim: 0.000	-
Z5	Asymmetric deg	Streetligh...	92 %	-	-
NVSxx19A	Asymmetric deg	Streetligh...	92 %	-	-
Oslon SSL 150	Asymmetric deg	Streetligh...	92 %	sim: 0.000	-
LUXEON Rebel ES	Asymmetric deg	Streetligh...	92 %	sim: 0.000	-
Double Dome (GM2BB)	Asymmetric deg	Streetligh...	92 %	-	-
LUXEON A	Asymmetric deg	Streetligh...	92 %	-	-
XB-D	Asymmetric deg	Streetligh...	93 %	-	-
Oslon Square PC	Asymmetric deg	Streetligh...	92 %	sim: 0.000	-
H35C0 (LEMWA33)	Asymmetric deg	Streetligh...	91 %	0.750	-
H35B0 (LEMWA32)	Asymmetric deg	Streetligh...	92 %	0.800	-

D C B A

4

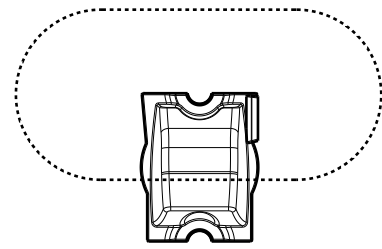


Isometric view

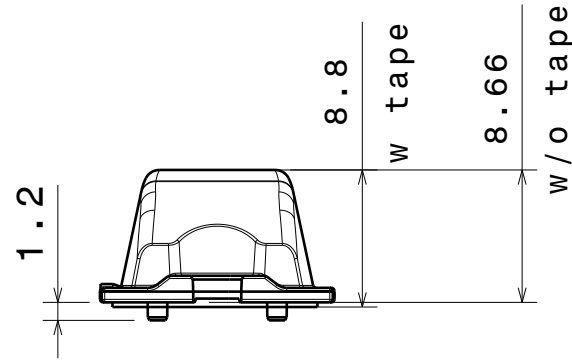


Bottom view

3

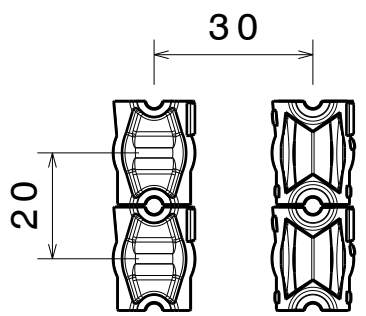


Beam direction

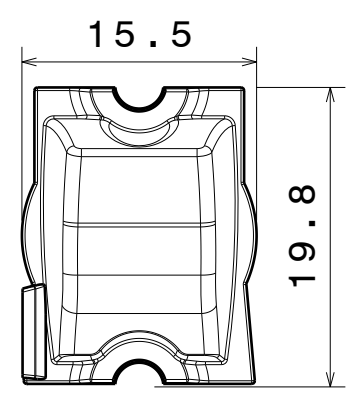


Front view

2



Strada lens arrangement recommendation




Top view

MATERIALS  
 Lens: PMMA  
 Tape(optional): PU Foam

Optical interface details are confidential and detail in this area may not reflect actual shape

1

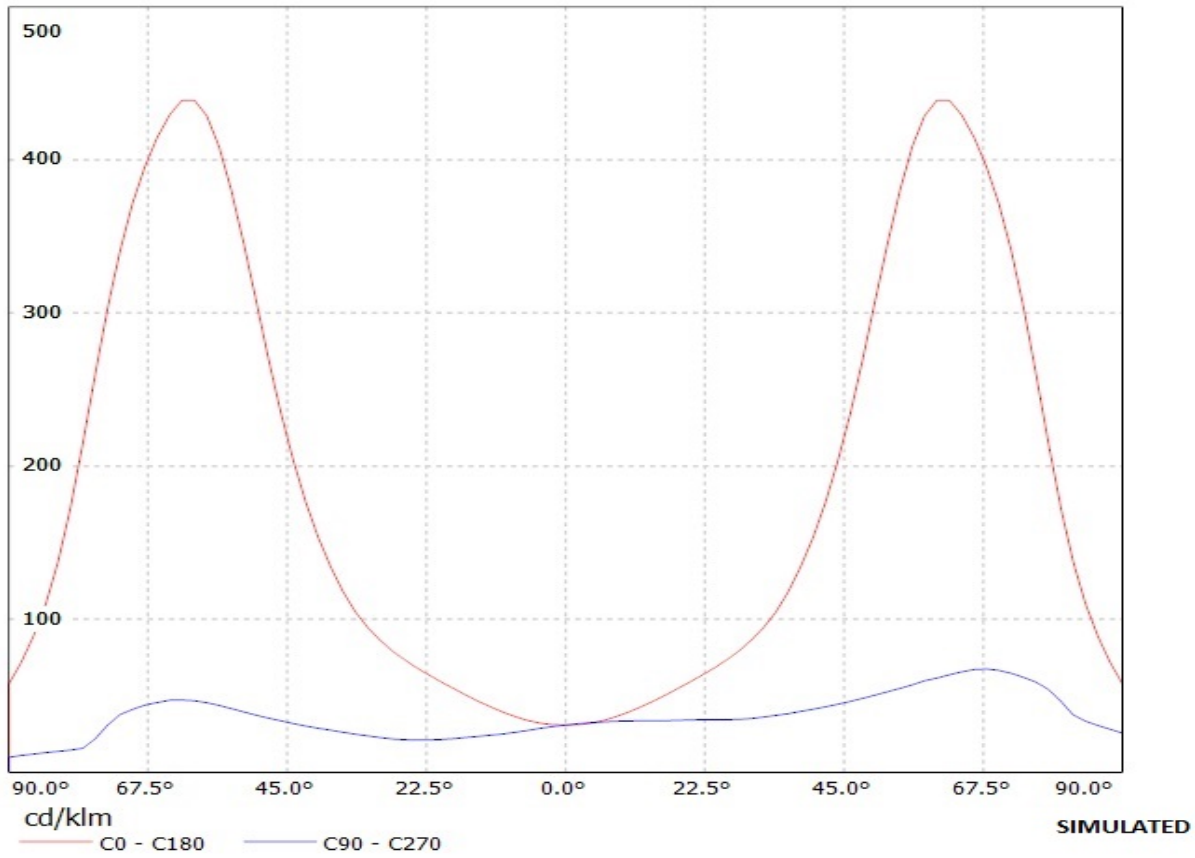
1

This drawing is our property. It can't be reproduced or communicated without our written agreement.				Ledil Oy Salorankatu 10 FIN-24100 SALO Finland	
DRAWN BY ah		DATE 26.9.2012		<b>Datasheet Strada-T-DN Lens</b>	
CHECKED BY sn		DATE 26.9.2012			
DESIGNED BY hh		DATE 14.05.2010		SIZE A4	DRAWING NUMBER
		SCALE 2:1		WEIGHT (g)	SHEET 1/1

D A

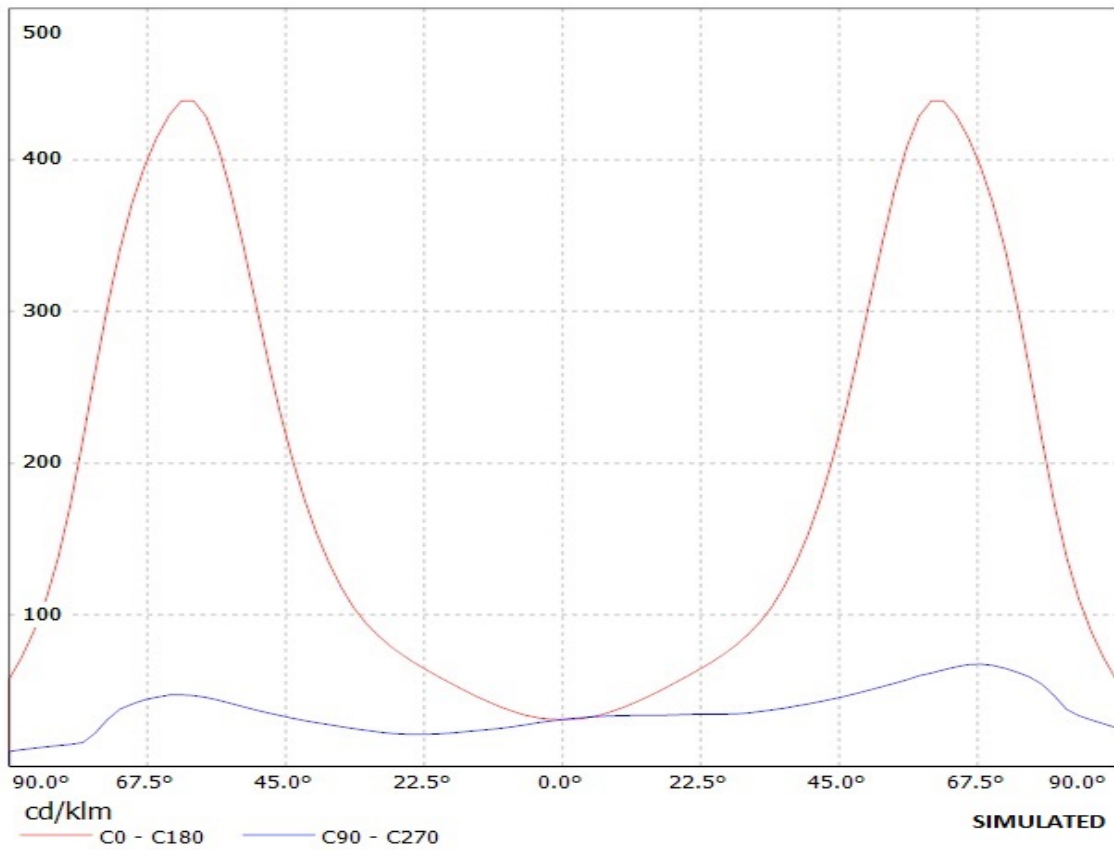
# Ledil Oy C11425\_Strada-T-DW-XP-G C11425\_Strada-T-DW-XP-G / LDC (Linear)

Luminaire: Ledil Oy C11425\_Strada-T-DW-XP-G C11425\_Strada-T-DW-XP-G  
Lamps: 1 x Cree Xp-G (White)



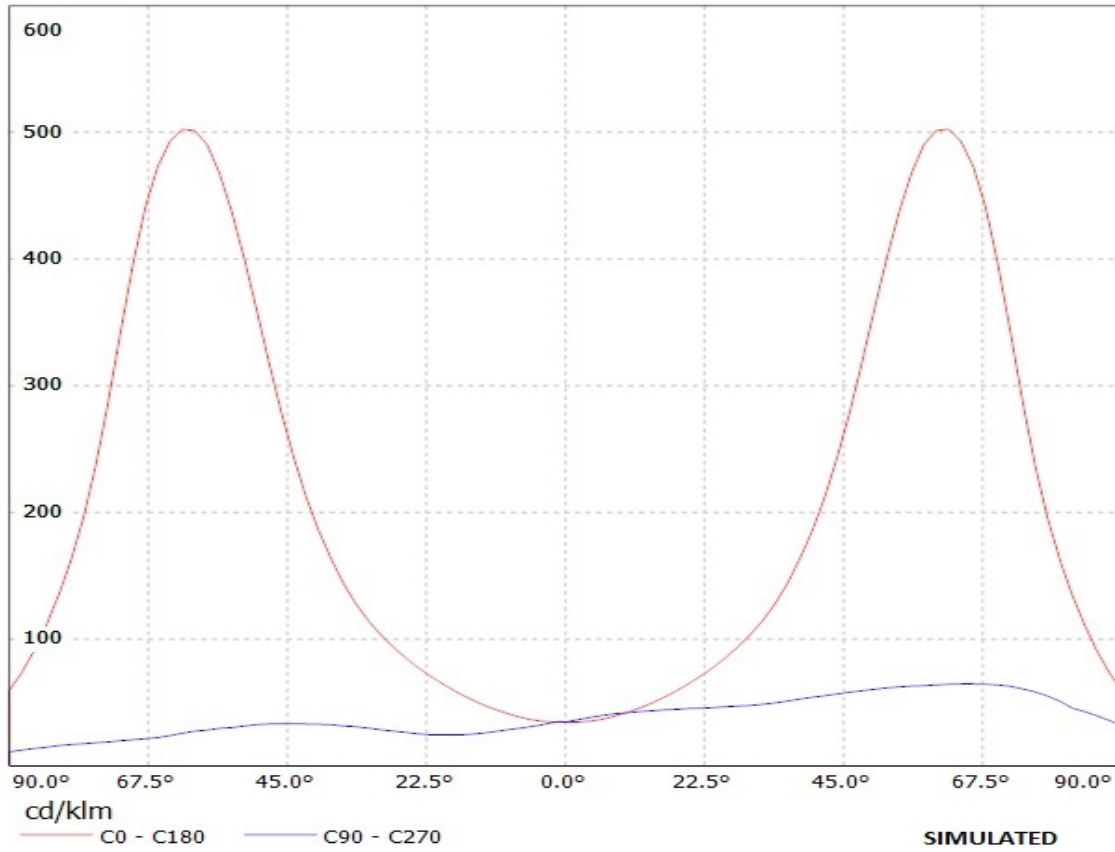
# Ledil Oy C11425\_Strada-T-DW-XP-G C11425\_Strada-T-DW-XP-G / LDC (Linear)

Luminaire: Ledil Oy C11425\_Strada-T-DW-XP-G C11425\_Strada-T-DW-XP-G  
Lamps: 1 x Cree Xp-G (White)



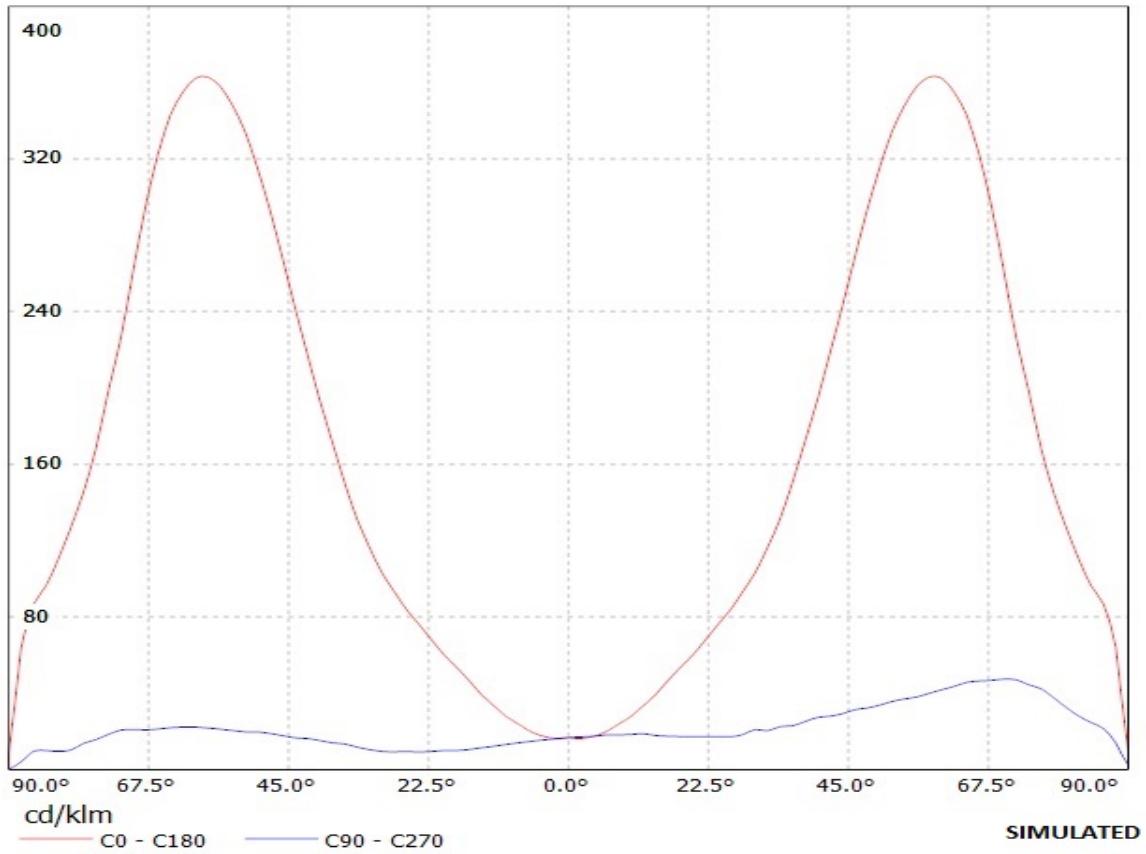
**Ledil Oy C11425\_Strada-T-DW-RE C11425\_Strada-T-DW-RE / LDC (Linear)**

Luminaire: Ledil Oy C11425\_Strada-T-DW-RE C11425\_Strada-T-DW-RE  
Lamps: 1 x Luxeon Rebel (Warm White)



# Ledil Oy CA11426\_Strada-T-DW-OSL150 LOR=92% / LDC (Linear)

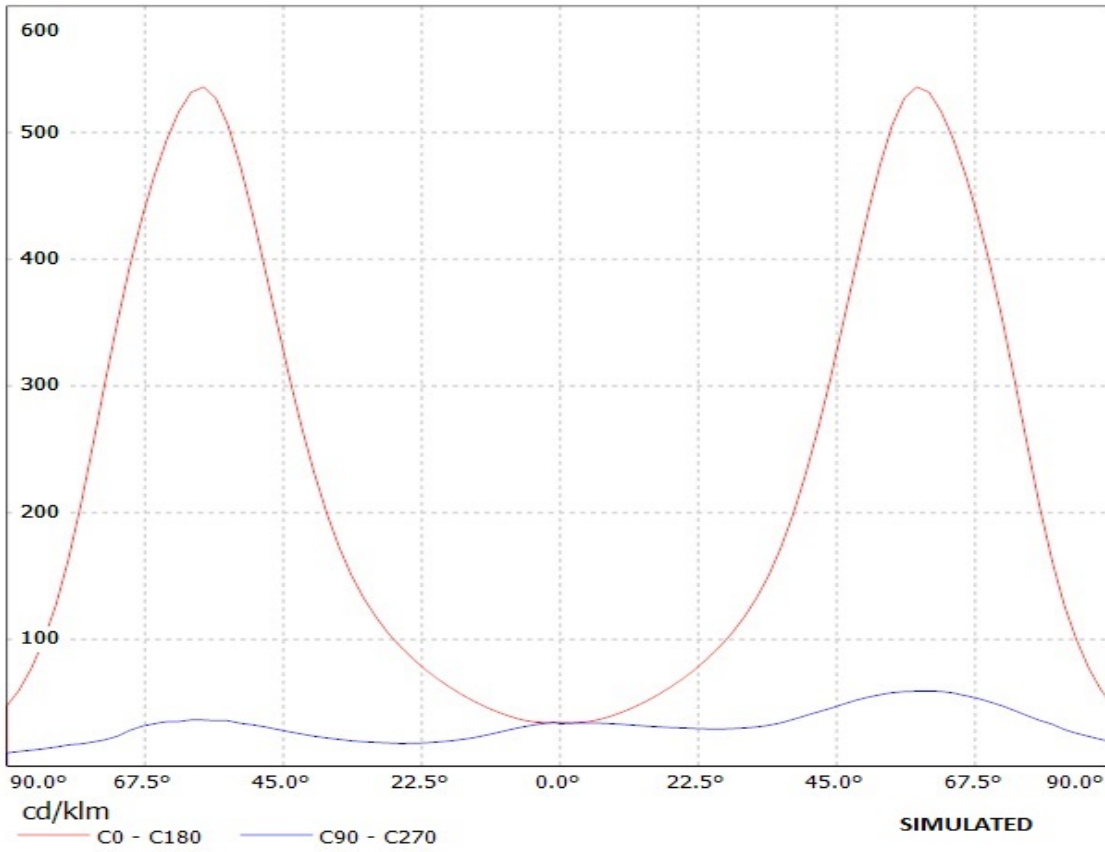
Luminaire: Ledil Oy CA11426\_Strada-T-DW-OSL150 LOR=92%  
Lamps: 1 x Osram Oslon 150 109lm @ 250mA

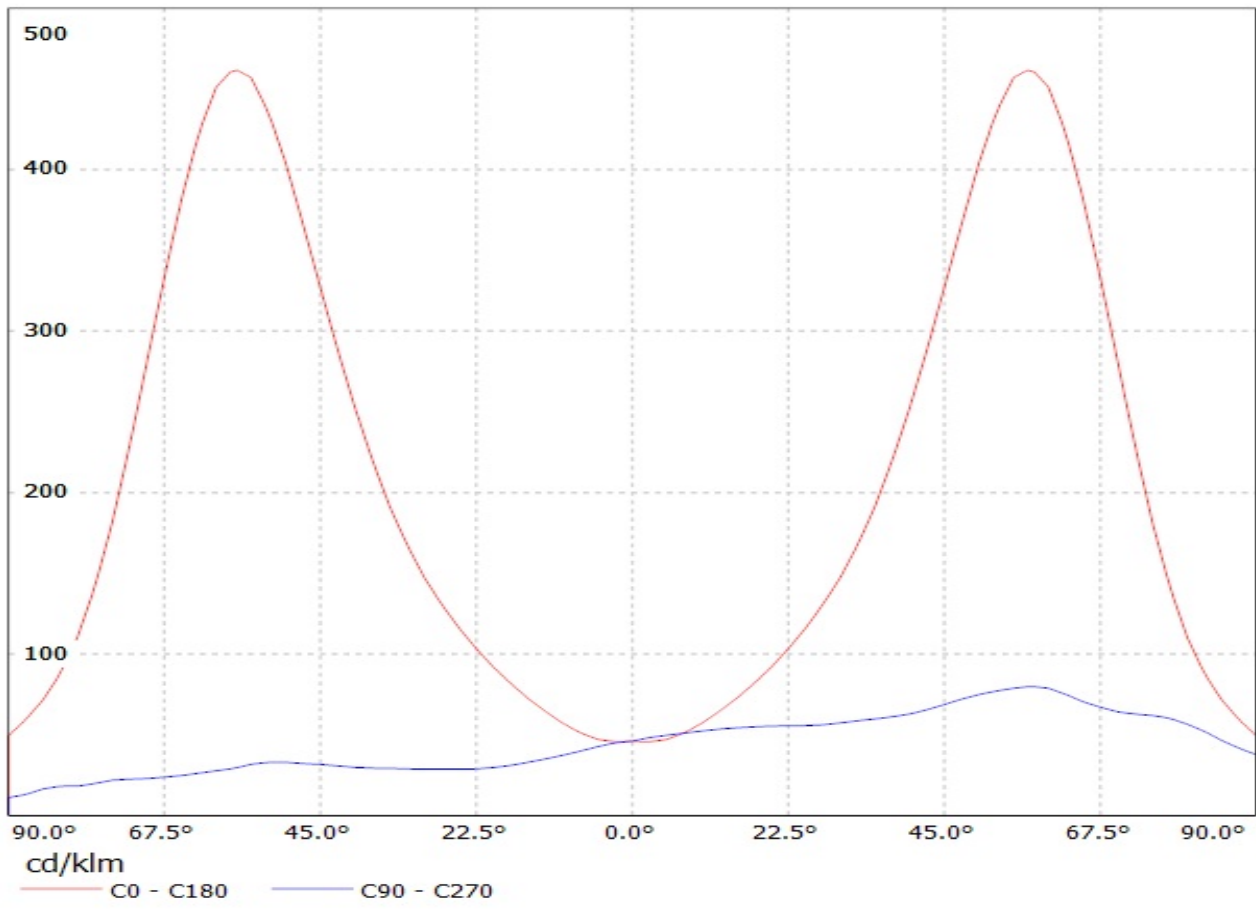


# Ledil Oy C11425\_Strada-T-DW-RE-ES C11425\_Strada-T-DW-RE-ES / LDC (Linear)

Luminaire: Ledil Oy C11425\_Strada-T-DW-RE-ES C11425\_Strada-T-DW-RE-ES

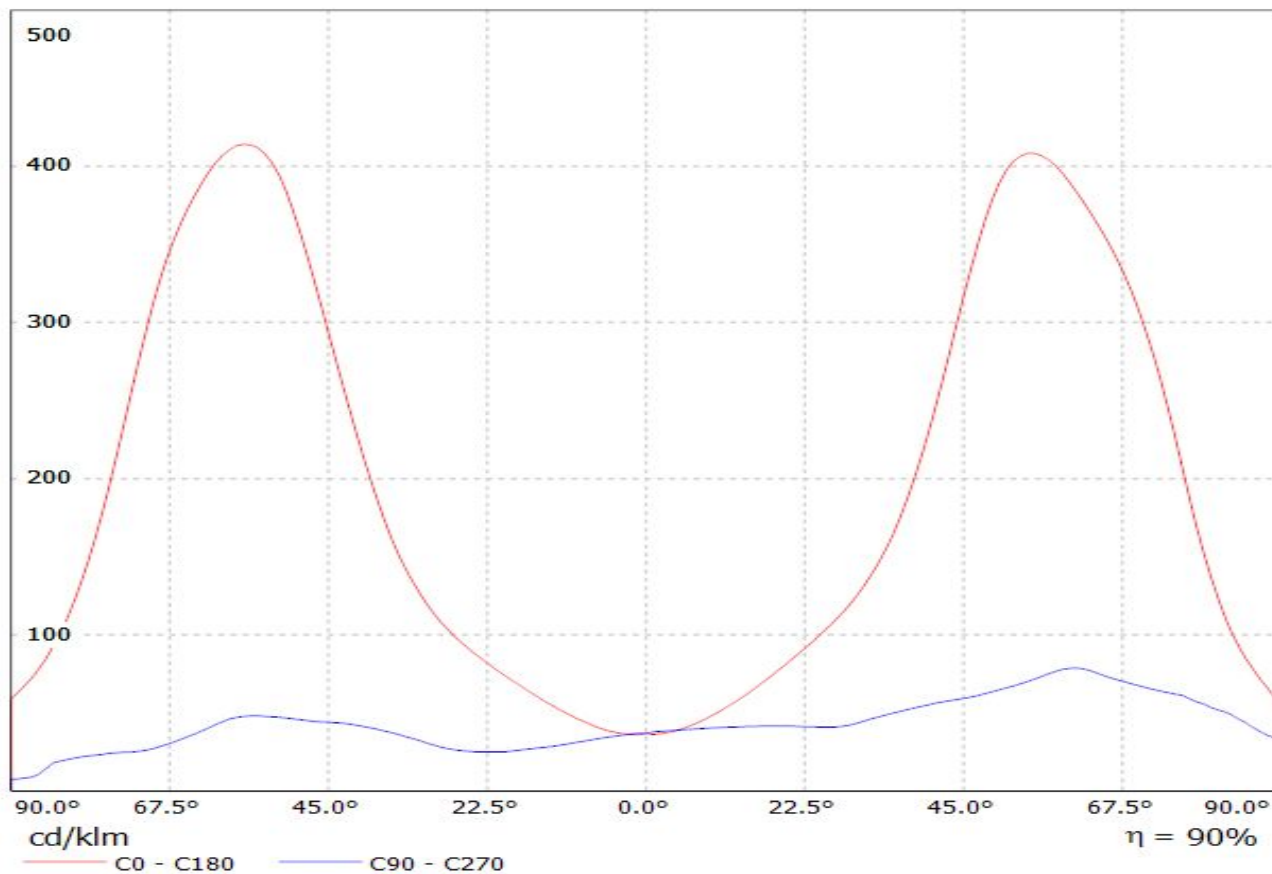
Lamps: 1 x Luxeon Rebel-ES (white)





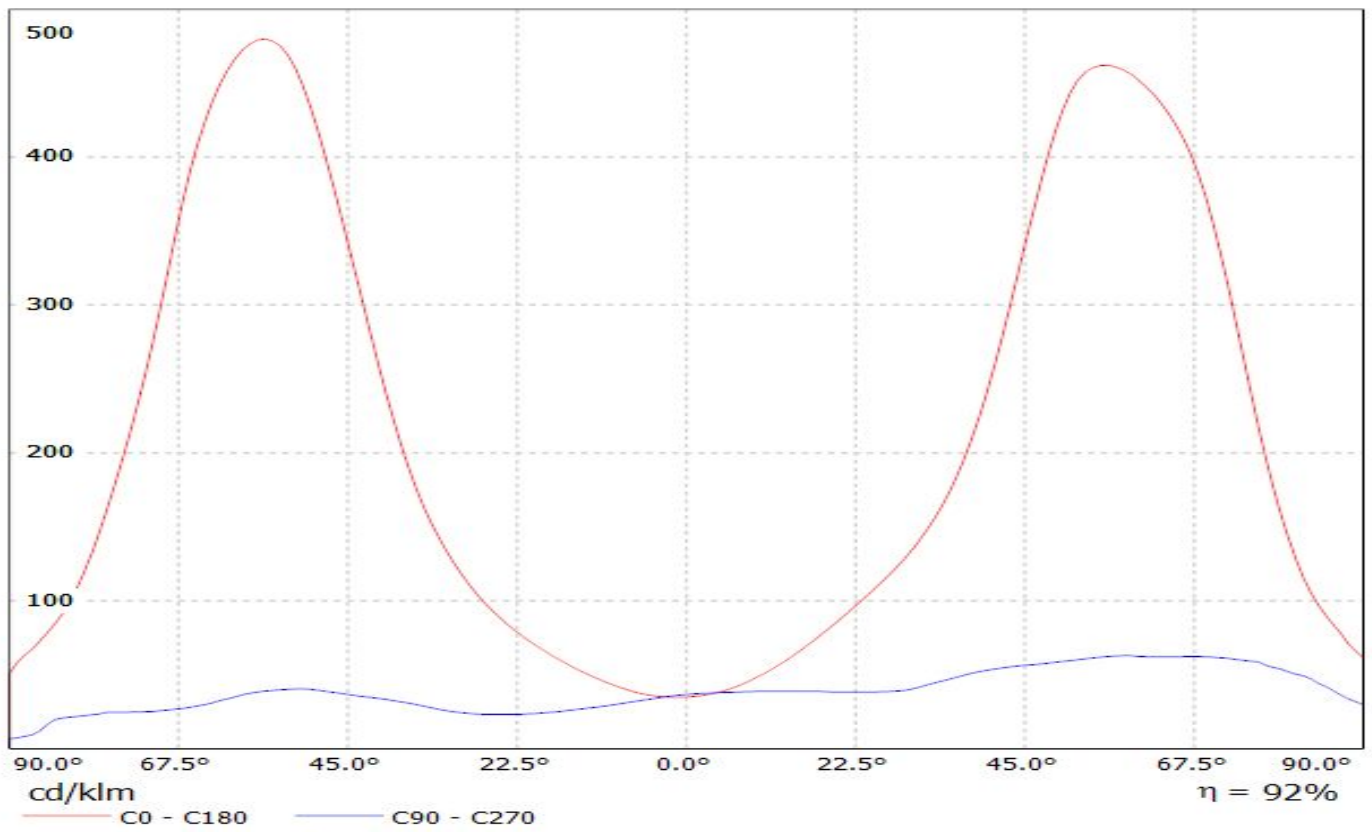


Luminaire: LEDiL Oy CA11426\_STRADA-T-DW\_(LG3535) Eff. 90,4%  
Lamps: 1 x LG Ceramic 3535 PKG (95lm@250mA)



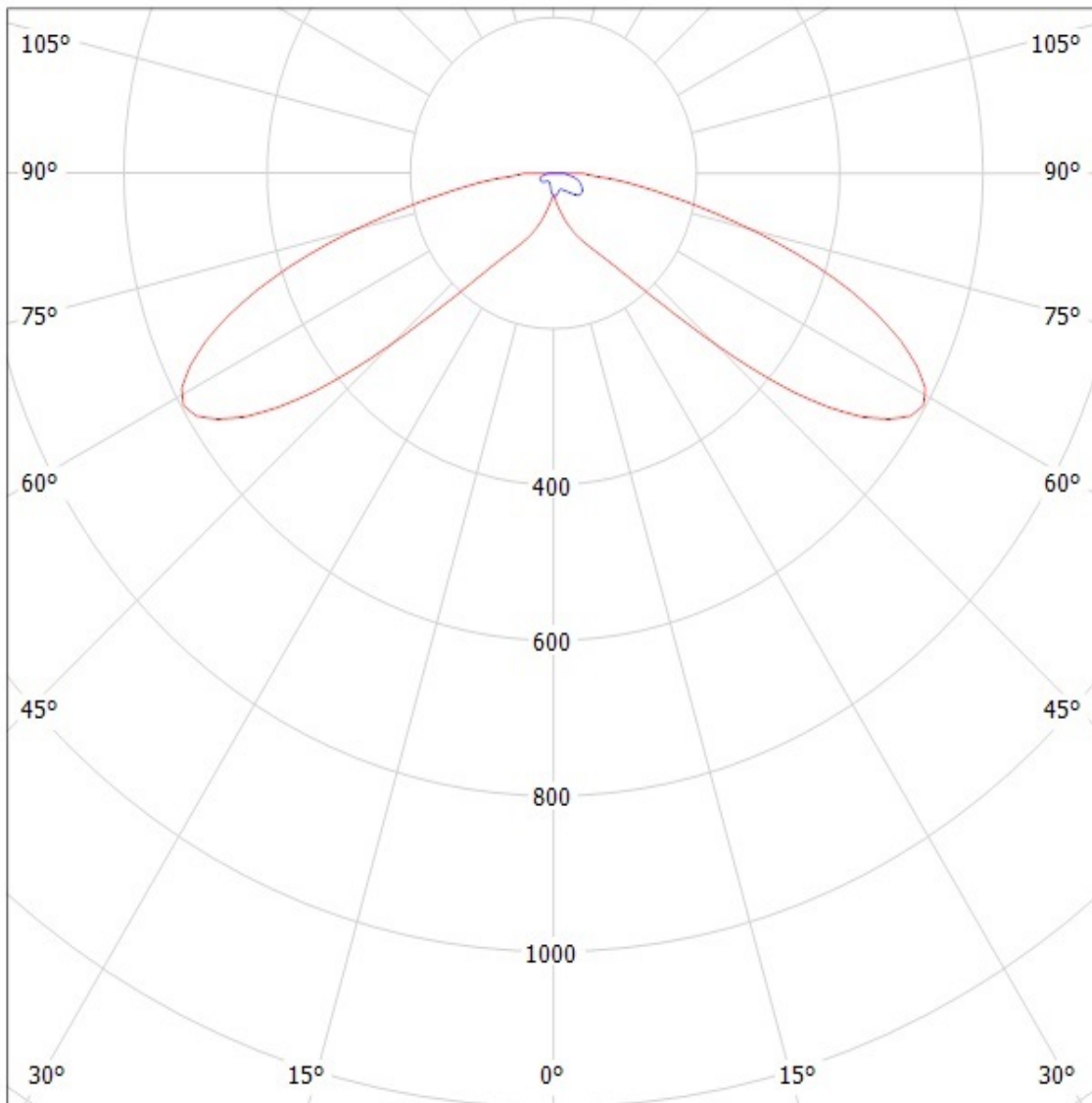
**LEDiL Oy CA11426\_STRADA-T-DW\_(LG3535\_2W) Eff.91.7% / LDC (Linear)**

Luminaire: LEDiL Oy CA11426\_STRADA-T-DW\_(LG3535\_2W) Eff.91.7%  
Lamps: 1 x LG3535\_2W (97.3629lm@250mA)



# Ledil Oy C11425\_Strada-T-DW-XP C11425\_Strada-T-DW-XP / LDC (Polar)

Luminaire: Ledil Oy C11425\_Strada-T-DW-XP C11425\_Strada-T-DW-XP  
Lamps: 1 x Cree XP-E (White)



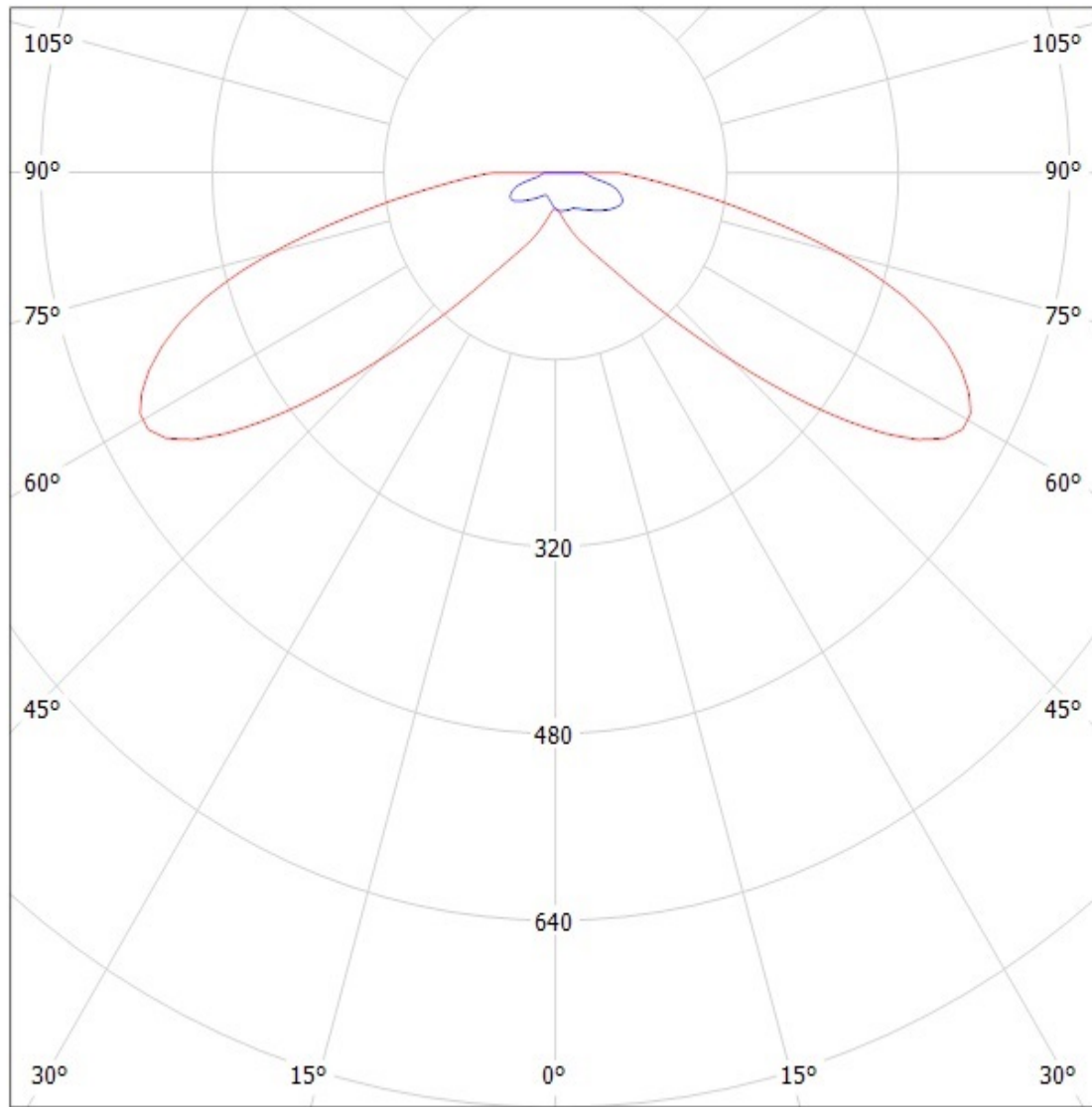
cd/klm

— C0 - C180 — C90 - C270

**SIMULATED**

# Ledil Oy C11425\_Strada-T-DW-XP-G C11425\_Strada-T-DW-XP-G / LDC (Polar)

Luminaire: Ledil Oy C11425\_Strada-T-DW-XP-G C11425\_Strada-T-DW-XP-G  
Lamps: 1 x Cree Xp-G (White)



cd/klm

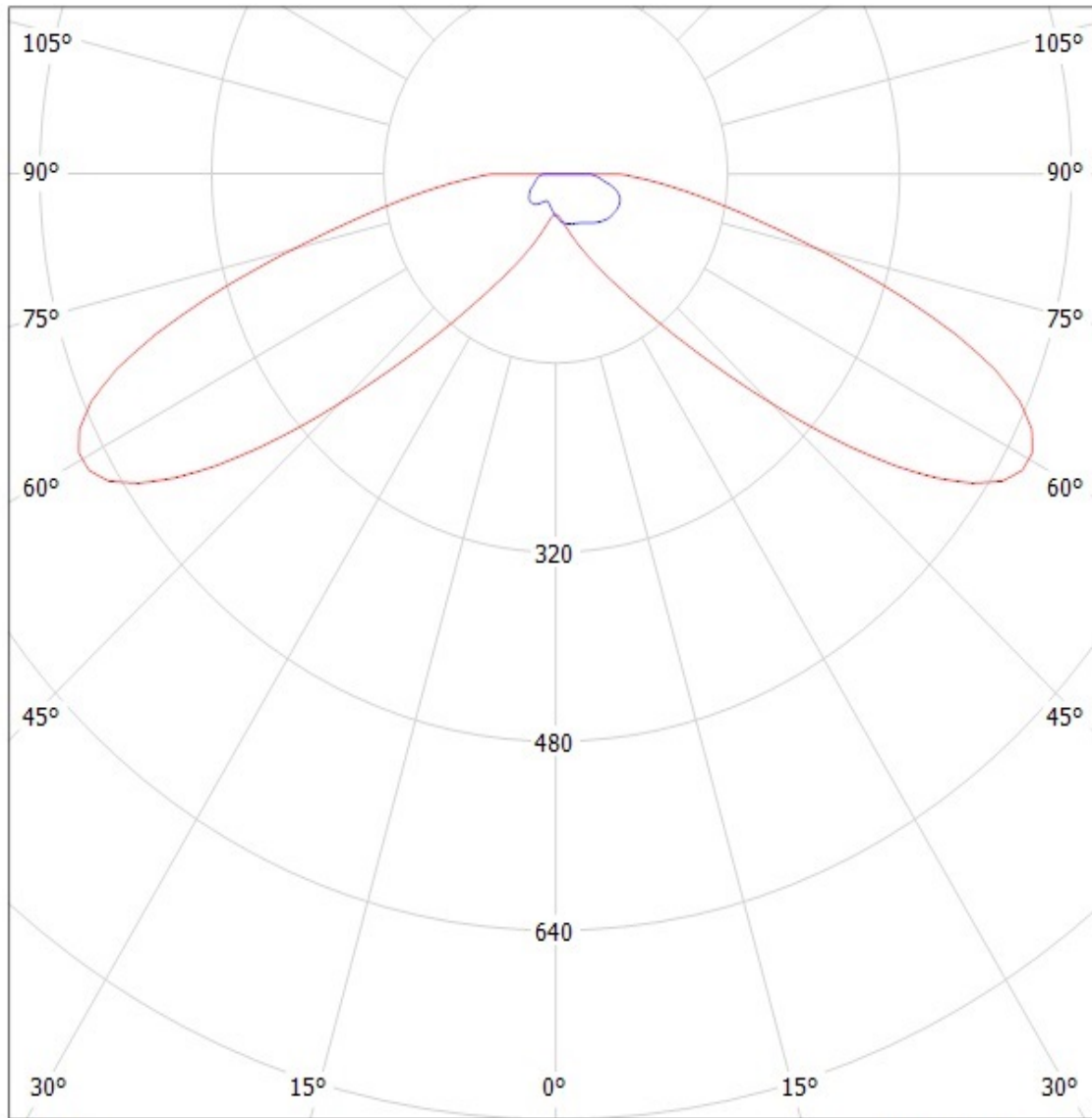
— C0 - C180    — C90 - C270

**SIMULATED**

# Ledil Oy C11425\_Strada-T-DW-RE C11425\_Strada-T-DW-RE / LDC (Polar)

Luminaire: Ledil Oy C11425\_Strada-T-DW-RE C11425\_Strada-T-DW-RE

Lamps: 1 x Luxeon Rebel (Warm White)



cd/klm

— C0 - C180

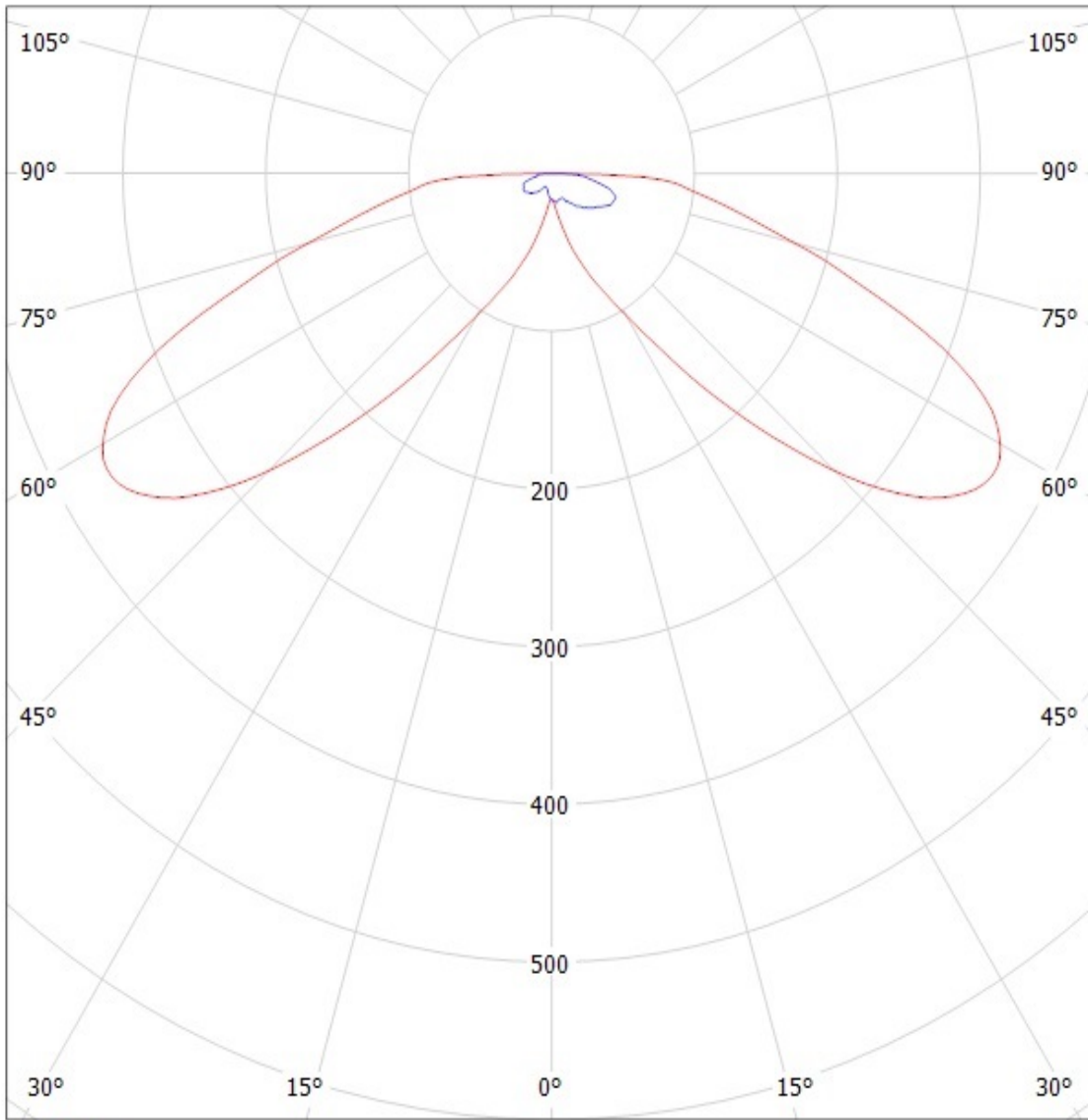
— C90 - C270

SIMULATED

# Ledil Oy CA11426\_Strada-T-DW-OSL150 LOR=92% / LDC (Polar)

Luminaire: Ledil Oy CA11426\_Strada-T-DW-OSL150 LOR=92%

Lamps: 1 x Osram Oslon 150 109lm @ 250mA



cd/klm

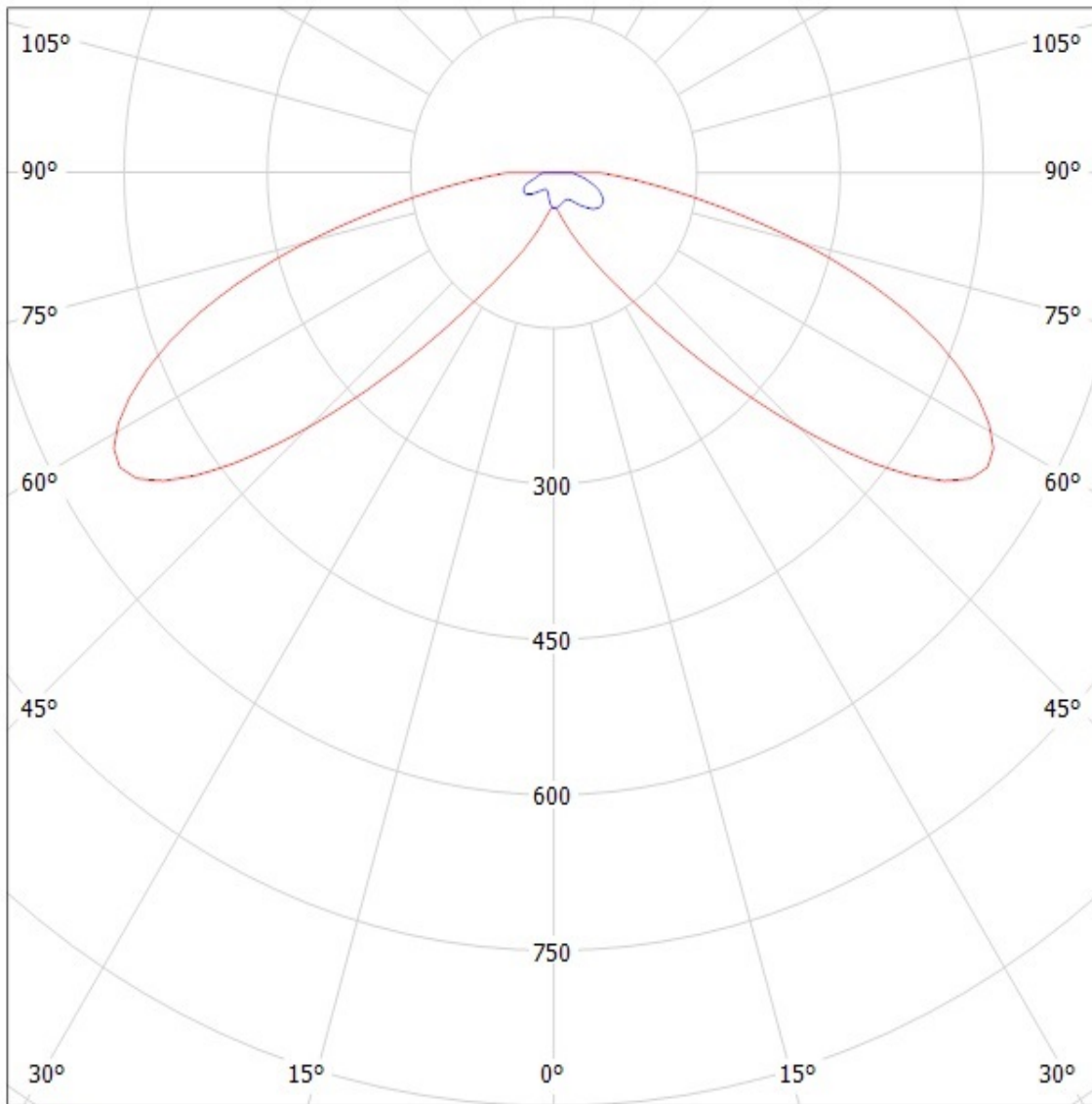
— C0 - C180 — C90 - C270

**SIMULATED**

# Ledil Oy C11425\_Strada-T-DW-RE-ES C11425\_Strada-T-DW-RE-ES / LDC (Polar)

Luminaire: Ledil Oy C11425\_Strada-T-DW-RE-ES C11425\_Strada-T-DW-RE-ES

Lamps: 1 x Luxeon Rebel-ES (white)

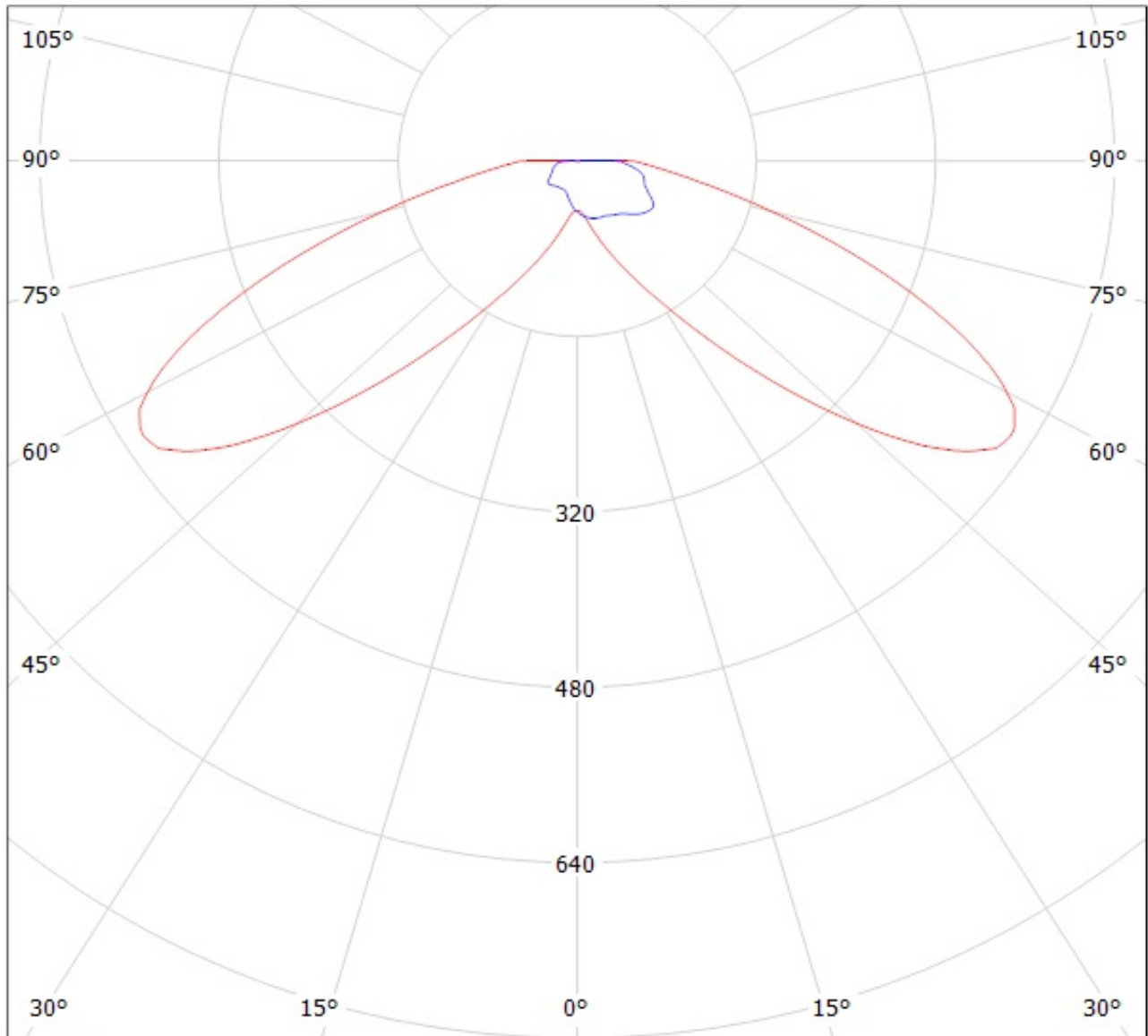


cd/klm

— C0 - C180 — C90 - C270

SIMULATED

Luminaire: LEDIL OY C11425\_STRADA-T-DW / CA11426\_STRADA-T-DW (SQ PC) Efficiency=92%  
Lamps: 1 x Osram Oslon Square PC (93lm@250mA)



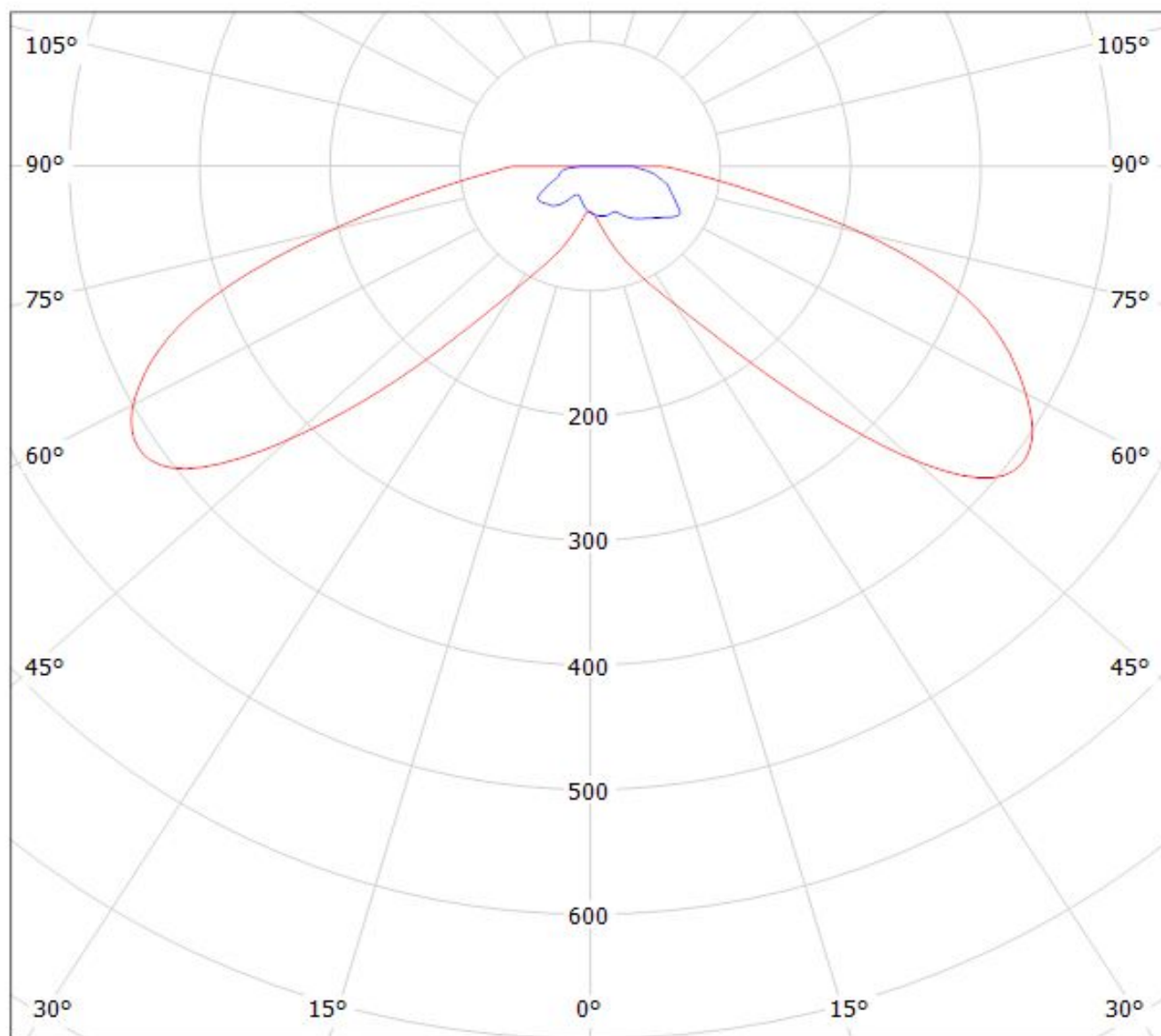
cd/klm

— C0 - C180

— C90 - C270



Luminaire: LEDiL Oy CA11426\_STRADA-T-DW\_(LG3535) Eff. 90,4%  
Lamps: 1 x LG Ceramic 3535 PKG (95lm@250mA)



cd/klm

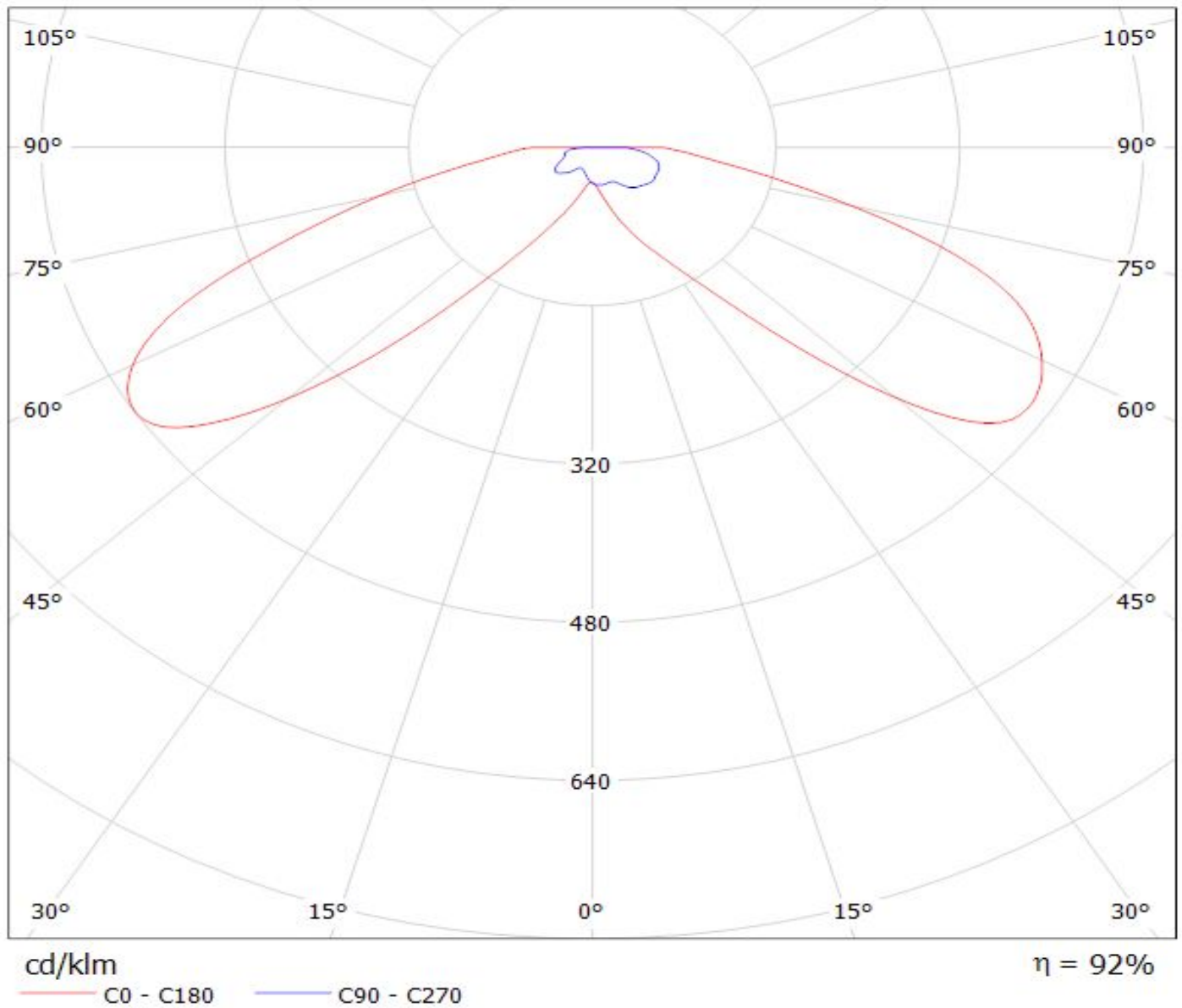
— C0 - C180    — C90 - C270

$\eta = 90\%$

# LEDiL Oy CA11426\_STRADA-T-DW\_(LG3535\_2W) Eff.91.7% / LDC (Polar)

Luminaire: LEDiL Oy CA11426\_STRADA-T-DW\_(LG3535\_2W) Eff.91.7%

Lamps: 1 x LG3535\_2W (97.3629lm@250mA)



**NOTE: The typical divergence will be changed by different color, chip size and chip position tolerance. The typical total divergence is the full angle measured where the luminous intensity is half of the peak value.**