

SPECIFICATIONS

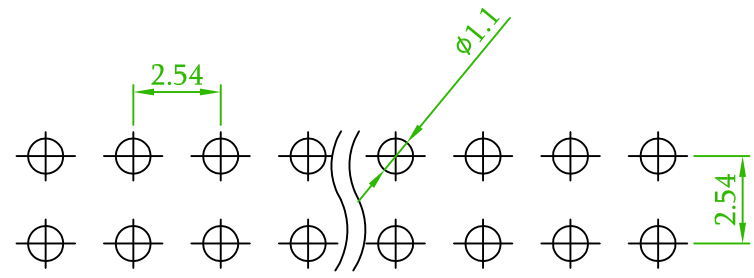
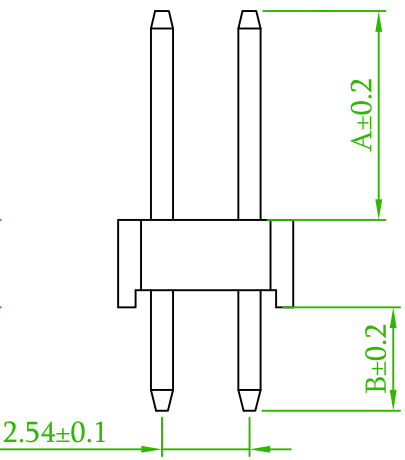
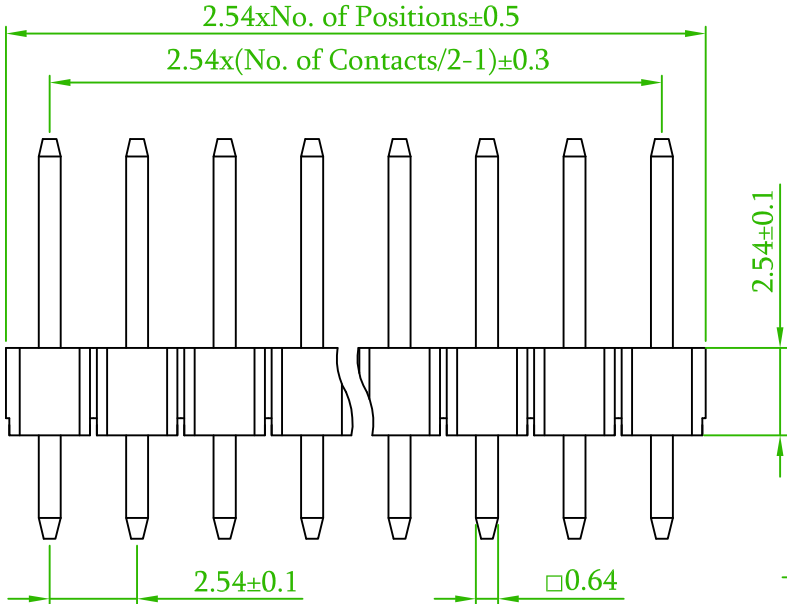
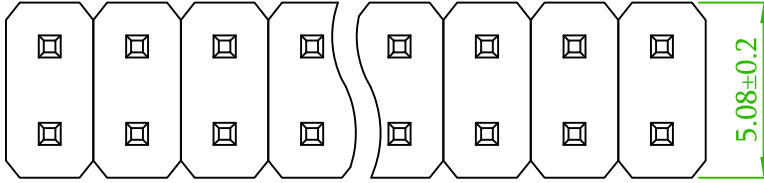
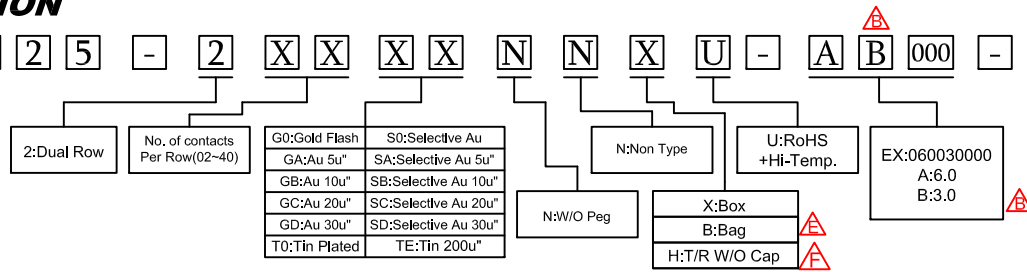
ORDER INFORMATION

Current Rating: 3 AMP
 Contact Resistance: 20mΩ Max.
 Insulation Resistance: 1000MΩ Min.
 Withstanding Voltage: 500V AC for one minute
 Operating Temperature: -40°C to +105°C

MATERIAL

Insulator: Hi-Temp. Thermoplastic, UL94V-0, Black
 Contacts Pin: Copper Alloy

5 P H 1 S D A 2 5 - 2 X X X X N N X U - A B 000 - 0 0



Recommended PCB Layout
 (PCB TOLERANCE ±0.1)

Old Part No. :PH1S25-2XX-U

△x1	Add: H: T/R W/O Cap	David	2019/08/13
△	ECN No.:180310,Remove the Cap & Revise the Package option .	Roy	2018/03/22
△	ECN No.:171201, Revise the Cap.	Andy	2017/12/01
△	Add the Package	Mia	2017/03/07
REV.	ECN NO. OR DESCRIPTION	REVISED	DATE

糧德精密有限公司
 Amtek Technology Co., Ltd.
 TEL: 886-2-2260-6878
 FAX: 886-2-2260-8030

品名 TITLE	PIN HEADER 2.54mm D/R V/T DIP TYPE				頁數 Page	1/1
品號 PART NO.	5PH1SDA25-2XXXXNXXU -XXXXXX000-00				繪圖 DRAWN	Mia 2015/08/24
圖號 DRAWING NO.	GN016-GA176	版本 REV.	F	核對 CHECKED	Josh 2018/03/22	
客戶品號 CUSTOMER P/N		比例 SCALE	None	承認 APPROVED	Jason 2018/03/22	
公差 TOLERANCE	.X ± 0.38 .XX ± 0.25	單位 UNIT	mm	THIRD ANGLE PROJECTION		