

# aPR33AxDBS-C1.1 (CPU Serial Mode)

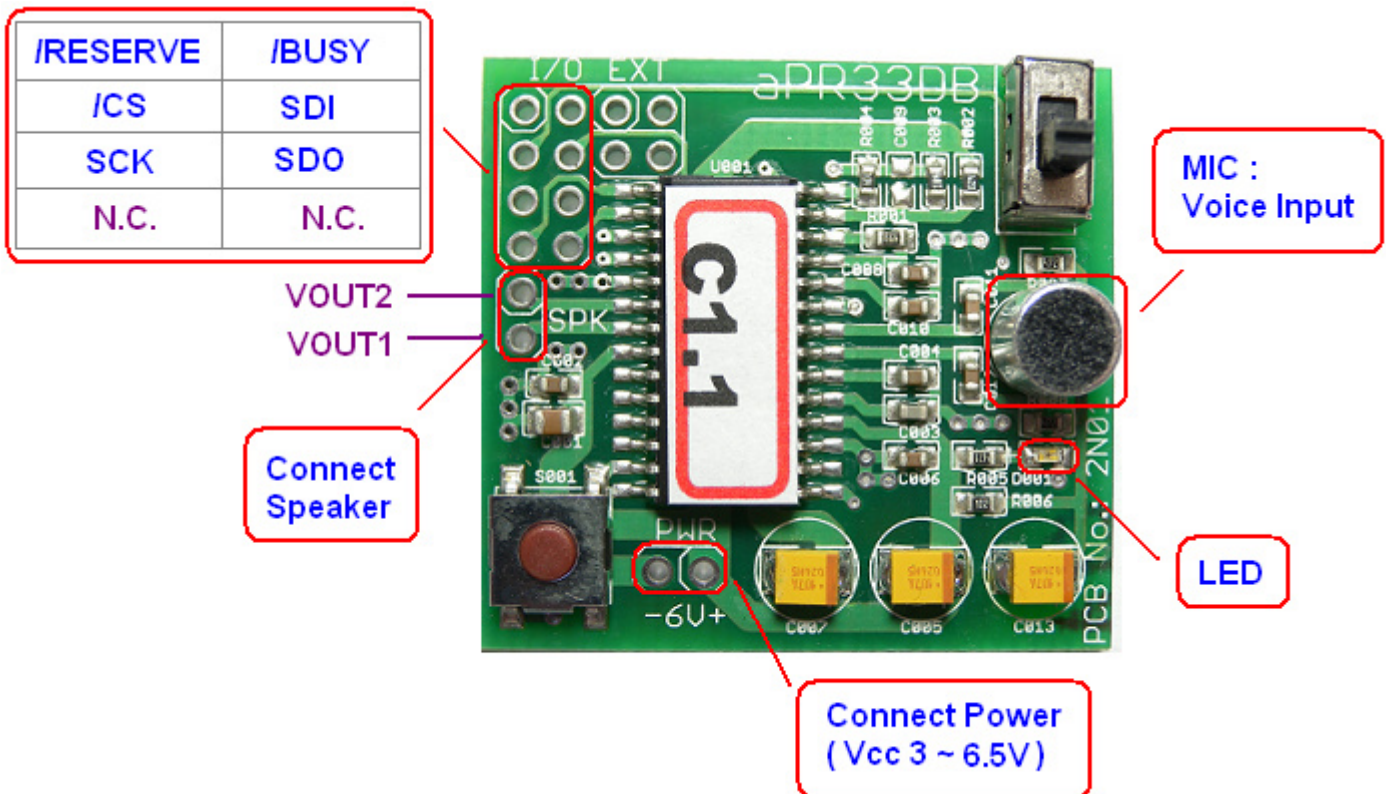
## Demo Board User Guide

aPR33AxDBS-C1.1 is suitable for aPR33A3, 2 chips  
supporting CPU serial interface by /BUSY, CE , SI , CLK , SO 5pin.

<b>Part no.</b>	<b>aPR33A3(680 sec)</b>
<b>Function</b>	CPU series interface, max 1024 sections.
<b>Application</b>	Support Mic & Line in circuits.

■ aPR33AxDBS-C1.1 Function :

**PCB Size : 51 x 39 mm**



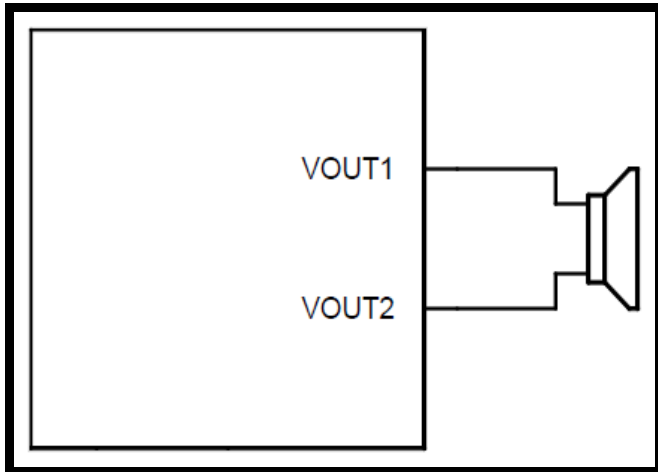
© For Line-In circuits & instruction set, Please visit <http://www.aplusinc.com.tw> for spec.

■ **VOICE OUTPUT**

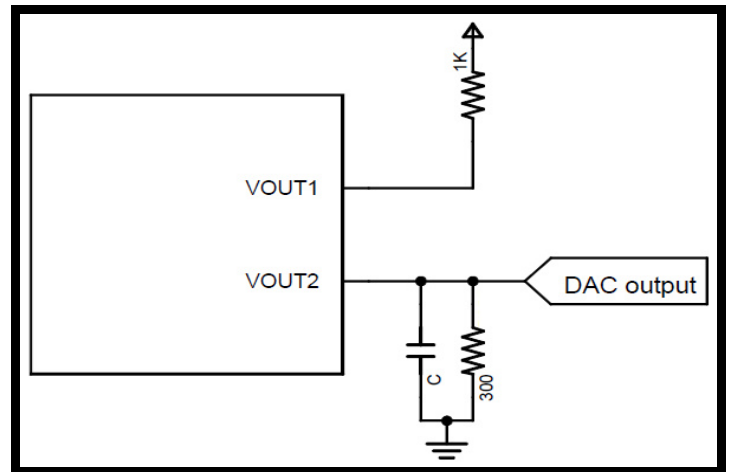
The aPR33AxDBS support 2 voice output mode, PWM and DAC. ( **Default : PWM** )

The PWM mode use VOUT1 and VOUT2 pin to drive speaker.

The DAC mode use VOUT2 pin to connect your transistor or amplifier.



(A) PWM



(B) DAC

© For more DAC application, Please visit <http://www.aplusinc.com.tw> for data sheet.

**Ver. 6**

Delete aPR33A1 data.

---

**Ver. 5**

Rename aPR33AxDB-C1.1S to aPR33AxDBS-C1.1

---

**Ver. 4**

Add "DAC" application

[Modify] Modify the file name to aPR33AxDB-C1.1S.

Add slide switch and tact switch

Modify the name of the pins : CE→/CS , SI→SDI , CLK→SCK , SO→SDO

---

**Ver. 3**

[Modify] Delete slide switch and tact switch

---

**Ver. 2**

[Modify] I/O definition from N.C. to /RESERVE

---

**Ver. 1**

Original version aPR33DB-C1.0 User Guide

---