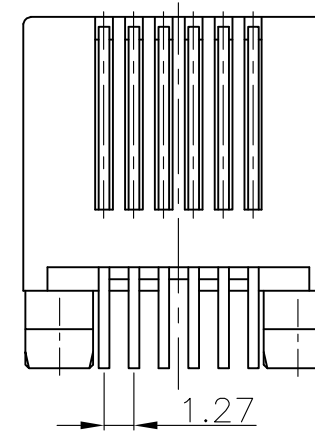
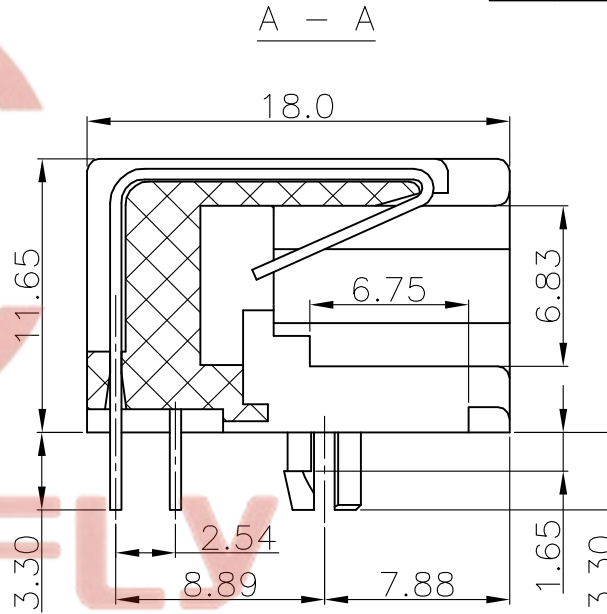
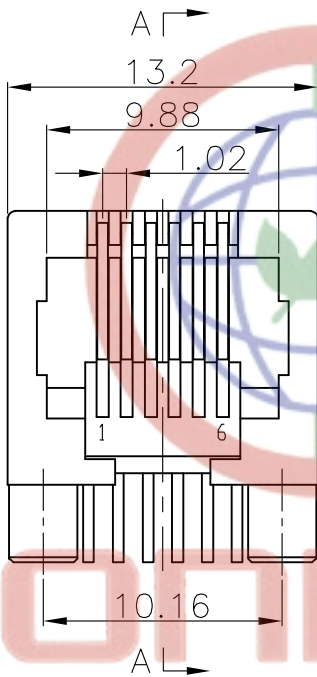


REV.	DESCRIPTION	DRAWN	CHECKED	APPROVED
A	NEW RELEASE	YCH 02/27/09'	~	

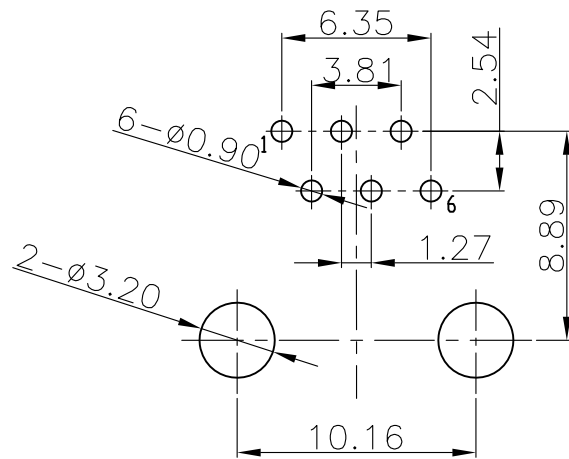


SPECIFICATION

1. Insulation Resistance:1000MΩ Min.
2. Withstand Voltage:500V AC/Minute.
3. Durability:600 Mating Cycles Min.
4. Contact Resistance: 50mΩ Max.
5. Product Number Code:

DS1133-03-X X X X

- Ear Support
- S:W/ Ear
- X:W/O Ear
- Housing Color
- A:Gray B:Black
- Contact Plating
- 0:Gold Flash
- 3:Selective 3u" Gold
- (6;15;30)Micro Inch
- No.Of Contacts
- 6:6P6C 4:6P4C
- Connector Type
- S:Socket



RECOMMEND PCB LAYOUT
TOLERANCE=±0.05mm

GENERAL TOLERANCE		ANGLE TOLERANCE		PROJECTION	TITLE
X.	±0.60	X.	±5°		PCB JACK 6p
.X	±0.38	.X	±3°	UNITS	mm
.XX	±0.25	.XX	±2°	SHEET SIZE	A4
DRAWING TYPE		CUSTOMER		SERIES	DS1133-03 SERIES
SCALE		1:1		SHEET 1 OF 1	
DRAWING NO.		C-DS1133-03-XXXX		晨翔电子有限公司 CONNFLY CONNFLY ELECTRONIC CO. LTD	

Tel:86-574-63508781

Fax:86-574-63510817

E-mail:sale@zhenqin.com

Http://www.connfly.com