

General Description:

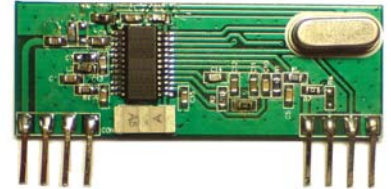
ST- RX05-ASK is ASK Super Heterodyne receiver with PLL for the 315MHz or 434MHz ISM band.

High Sensitivity: -113dBm for 315MHz / -110dBm for 434MHz.

Features:

- Power consumption (5.6mA fully active mode at 315 / 434MHz)
- Optimized for 315 or 434MHz ISM band.
- Operation temperature range : - 40°C ~ + 80°C
- High Sensitivity: -113dBm for 315MHz / -110dBm for 434MHz.

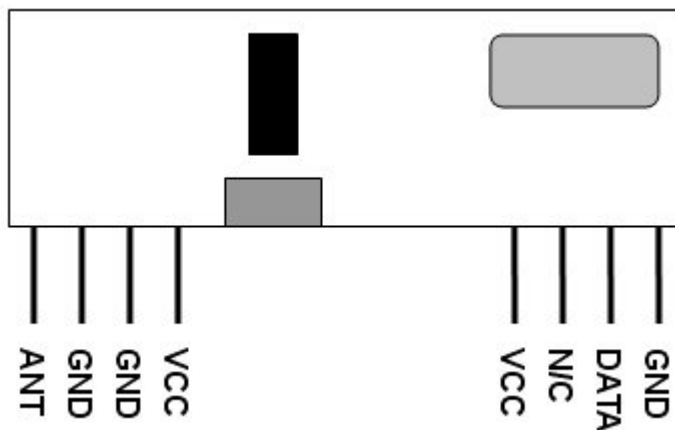
ASK 315/434MHz Receiver module



Applications:

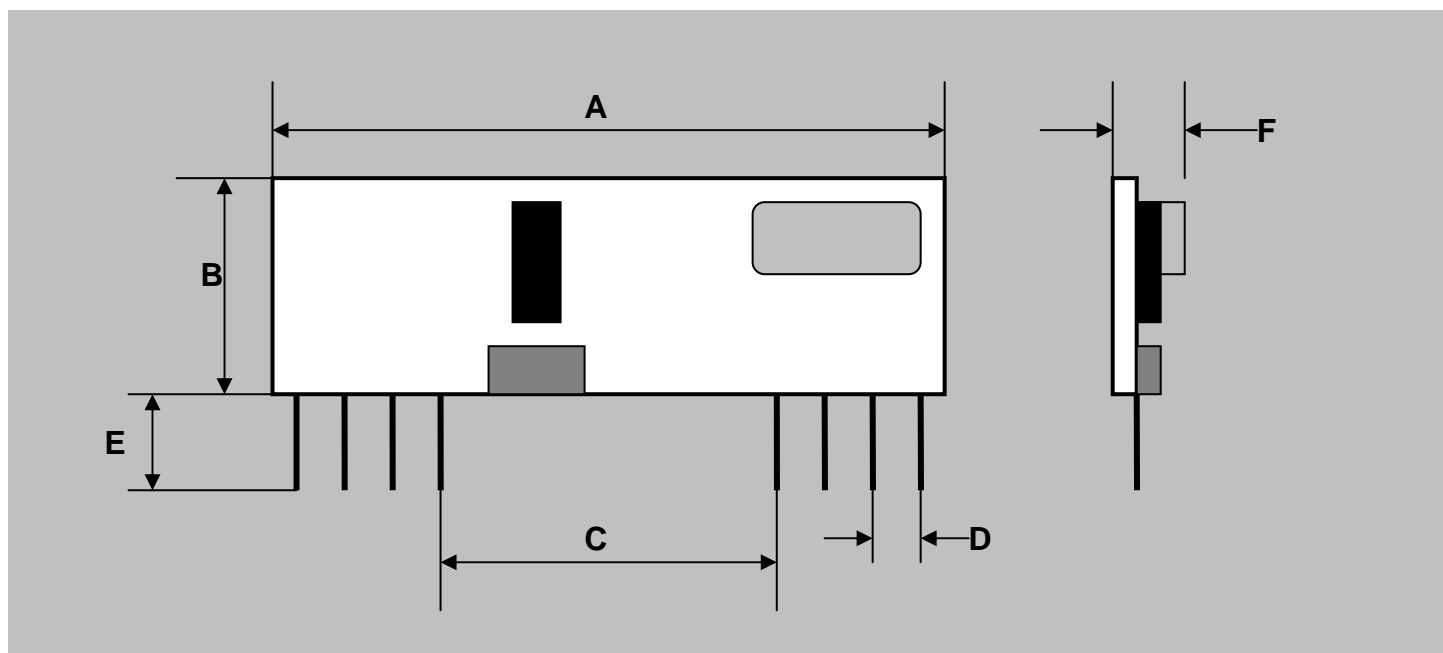
- Remote Keyless Entry(RKE) systems.
- Remote control systems including gate opener or garage door.
- Car security or wireless security systems
- Sensor reporting
- Automation system
- Remote Keyless entry

Pin Description

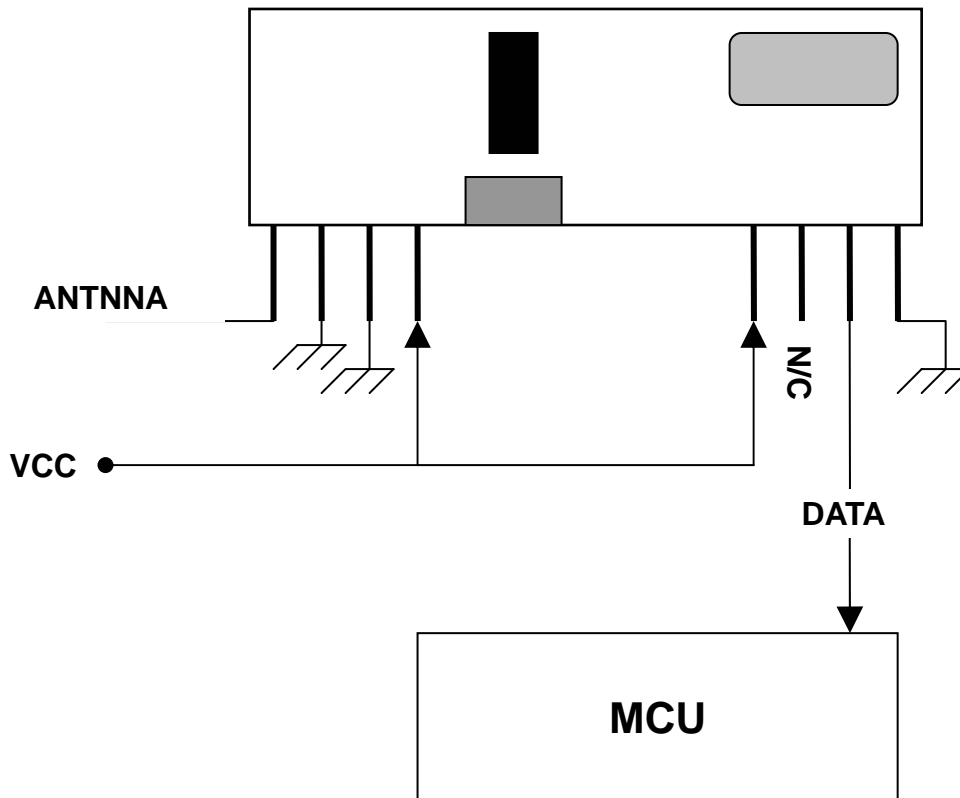


Electrical Characteristics :

General Characteristics		Min	Typ	Max	Unit
VDD	Supply Voltage	3	5	5.5	VDC
IDD	Consumption DC current(CE=High)		5.6		mA
Istand-by	Stand-by DC Current (CE=Low)		<1uA		
SIN	RF Sensitivity (vcc=5V 1Kb/s AM99% Square-wave modulation)		-113dBm at 315MHz -110dBm at 434MHz		dBm
fRF	Receiver Frequency		315/434		MHz
	Max Data Rate		1	8	Kbit/s
fIF	IF frequency		10.7K		MHz
TOPR	Operating Temperature Range	-40		85	°C
	Output Duty	45		55	%

Mechanical Dimension:

Name	Dimension	Name	Dimension
A	44.8mm±0.5mm	D	2.54mm±0.3mm
B	16.3mm±0.5mm	E	5mm±0.5mm
C	25.4mm±0.3mm	F	6mm(Max)

Typical Application:**Remark:**

1. Antenna length about :23cm for 315 MHz / 17cm for 434 MHz