

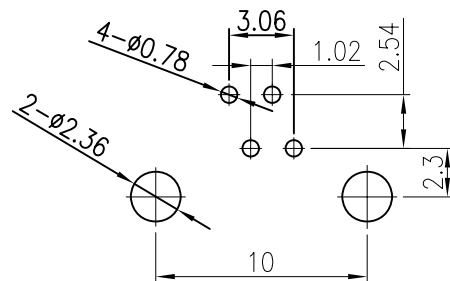
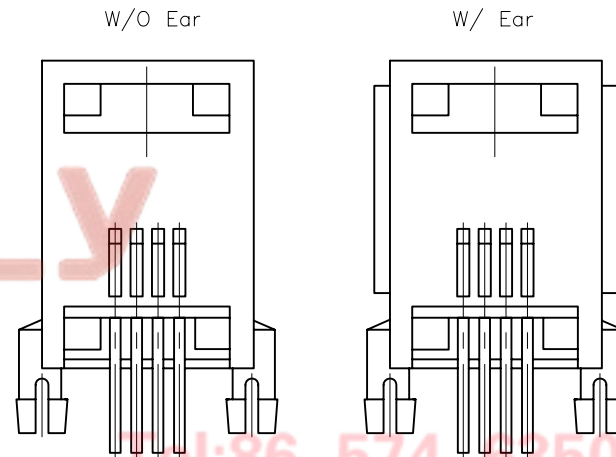
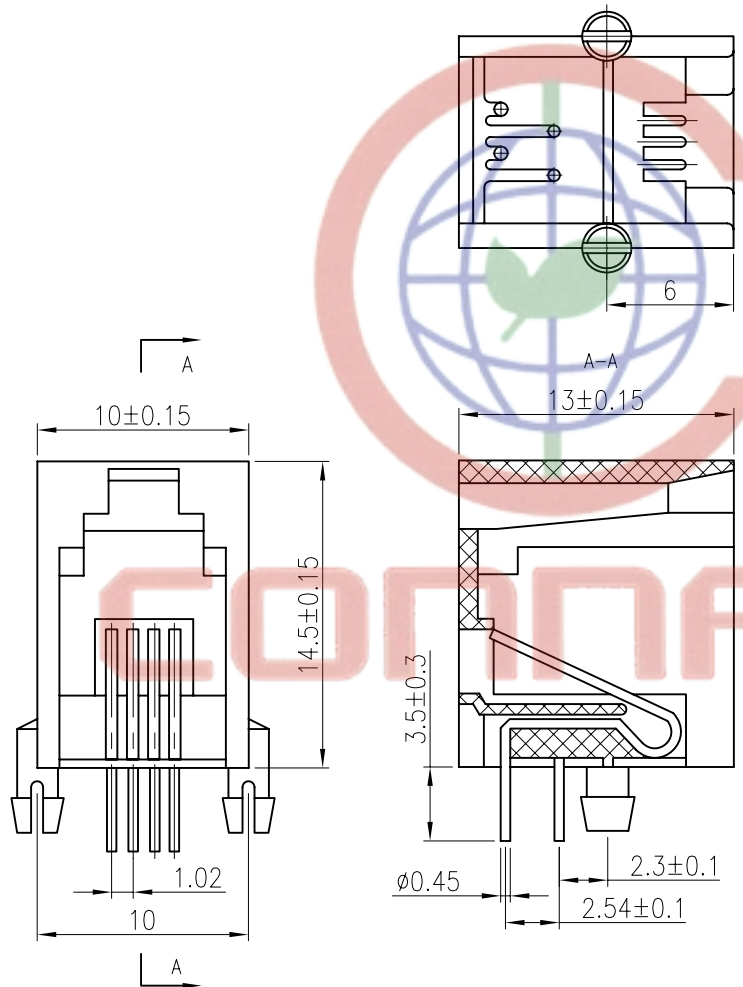
REV.	DESCRIPTION	DRAWN	CHECKED	APPROVED
A	NEW RELEASE	LL 06/24/06'		

SPECIFICATION

1. Insulation Resistance:1000MΩ Min.
2. Withstand Voltage:500V AC/Minute.
3. Contact resistance: 50mΩ max.
4. Durability:600 Mating Cycles Min.
5. Product Number Code:

DS1132-X X X X X X

- └ Ear Support
 - X:W/O
 - S:W/
- └ Housing Materials
 - P:PBT
 - N:NYLON
- └ Housing Color
 - A:Gray
 - B:Black
- └ Contact Plating
 - 0:Gold Flash
 - 3:Selective 3u" Gold (6;15;30)Micro Inch
- └ No.Of Contacts
 - 4:4P4C
- └ Connector Type
 - S:Socket



Tel:86-574-63508787
 Fax:86-574-63510817
 E-mail:sale@zhenqin.com.cn
 Http://www.connfly.com

GENERAL TOLERANCE		ANGLE TOLERANCE		PROJECTION	TITLE
X	±0.60	X	±5'	mm	PCB JACK 4P
.X	±0.38	.X	±3'		
.XX	±0.25	.XX	±2'		
DRAWING TYPE		CUSTOMER		SHEET SIZE	SERIES
SCALE		1:1		A4	DS1132 SERIES
DRAWING NO.		C-DS1132-XXXXX		1 OF 1	

CONNFLY 晨翔电子有限公司
CONNFLY ELECTRONIC CO. LTD