

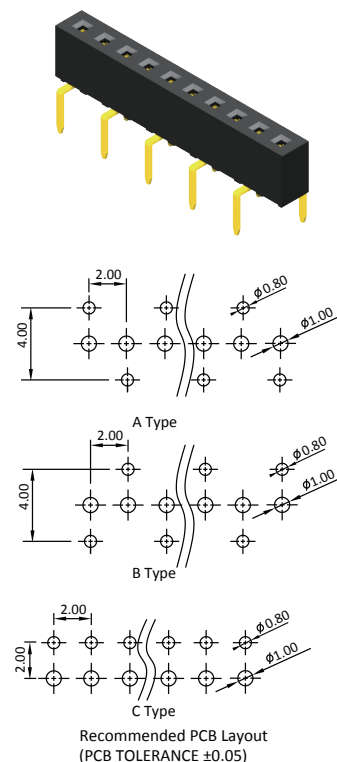
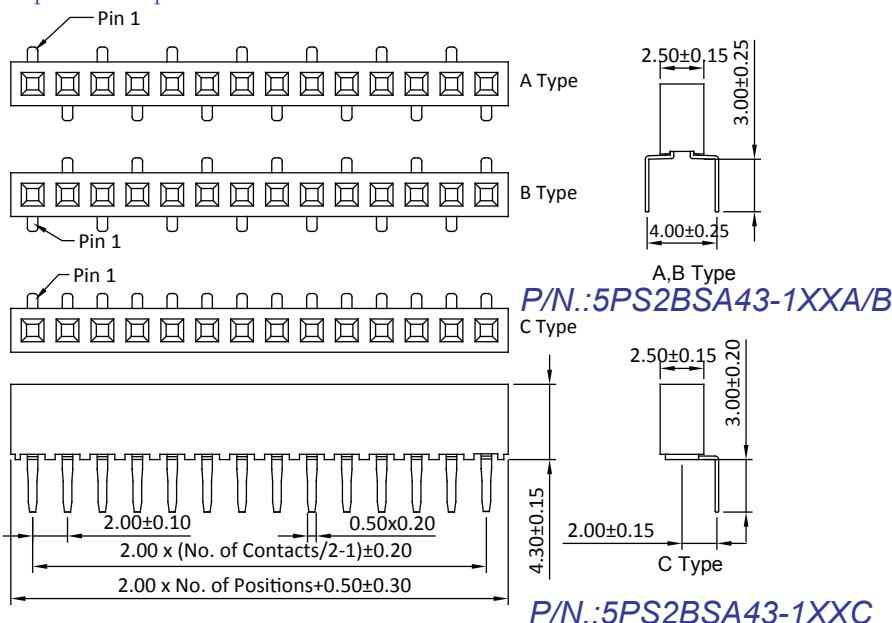
## Female Header 2.0mm 1 Row H=4.3mm Bottom Entry

### Specifications

Current Rate: 2 AMP  
 Insulation Resistance: 1000MΩ Min.  
 Contact Resistance: 20mΩ Max.  
 Dielectric Voltage: 500V AC for one minute  
 Operation Temperature: -40°C to +105°C

### Material

Insulator: Hi-Temp. Thermoplastic, UL 94V-0  
 Terminal: Copper Alloy  
 Standard Plating: Gold Flash



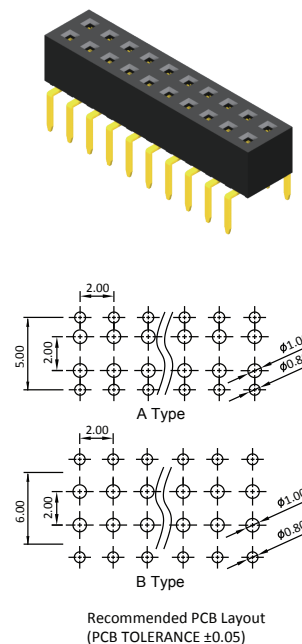
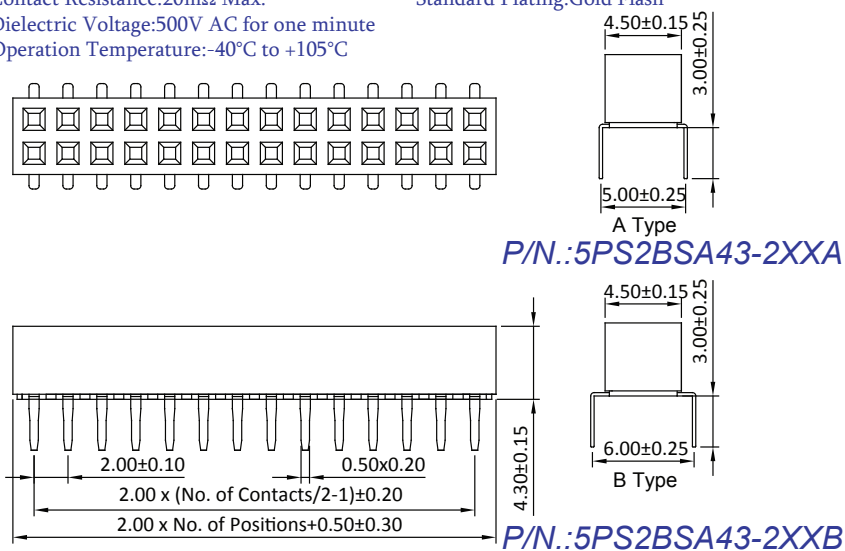
## Female Header 2.0mm 2 Row H=4.3mm Bottom Entry

### Specifications

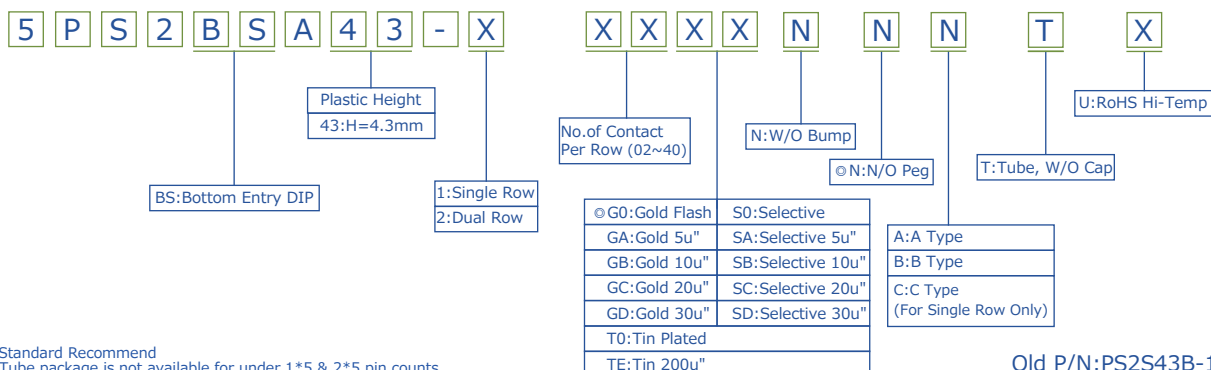
Current Rate: 2 AMP  
 Insulation Resistance: 1000MΩ Min.  
 Contact Resistance: 20mΩ Max.  
 Dielectric Voltage: 500V AC for one minute  
 Operation Temperature: -40°C to +105°C

### Material

Insulator: Hi-Temp. Thermoplastic, UL 94V-0  
 Terminal: Copper Alloy  
 Standard Plating: Gold Flash



## ORDER INFORMATION



◎: Standard Recommend  
 Tube package is not available for under 1\*5 & 2\*5 pin counts

Old P/N: PS2S43B-1/2