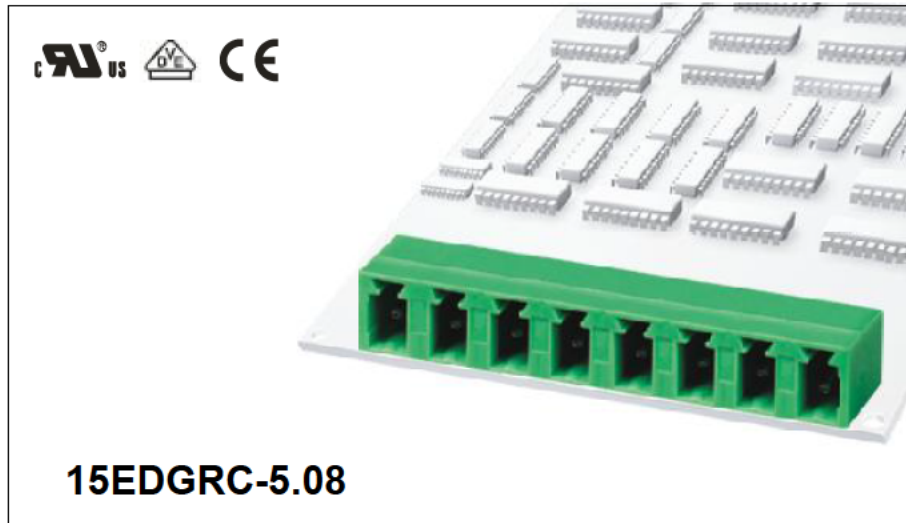


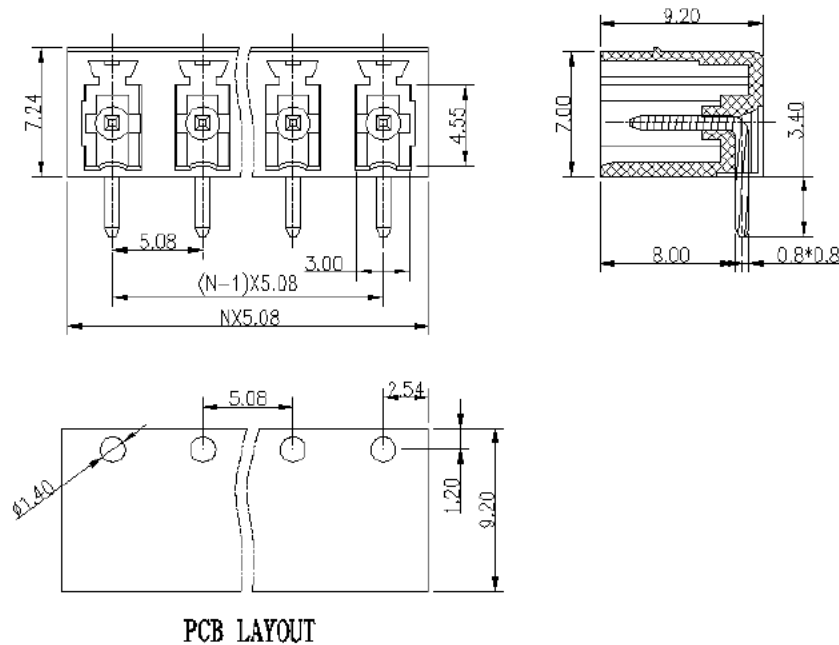


# DEGSON ELECTRONICS CO., LTD.

## Product Specification



<b>APPROVAL</b>		
<b>Electrical</b>		
Standard	<b>UL</b>	<b>IEC</b>
Rated voltage	300V	250V
Rated current	8A	7A
Rated impulse voltage	2.5KV	
<b>Mechanical</b>		
Ambient temperature	-40°C~+105 °C	
<b>Dimensions</b>		
Pitch	5.08mm(.200" )	
Poles	2P-12P	
<b>Material</b>		
Housing	PA66,UL94 V-0	
Pin header	Brass,Tin-plated	



### HOW TO ORDER :

-  **P** -  - 

X	X	X
---	---	---

  
Customer Request

Series number

No. of pole

1	Single pitch
2	Double pitch

#### Color

1 Grey	4 Green	7 Trans Parent
2 Blue	5 Orange	8 Yellow
3 Black	6 Red	9 White

 mm (INCH)	 <b>DEGSON ELECTRONICS CO., LTD.</b>
 THROUGH HOLE PROJECTION	<b>NAME</b> <b>15EDGRC-5.08</b>