

# ORDER INFORMATION

5 P H 2 R D A 1 5 - 2 X X X X N N X U - A B C - 0 0

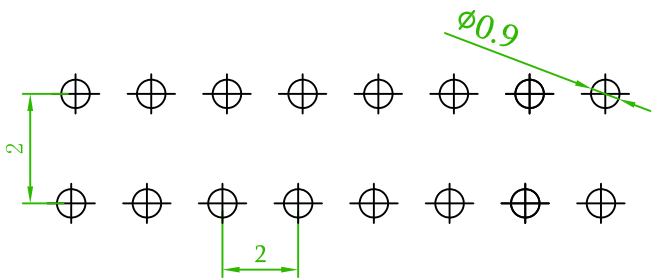
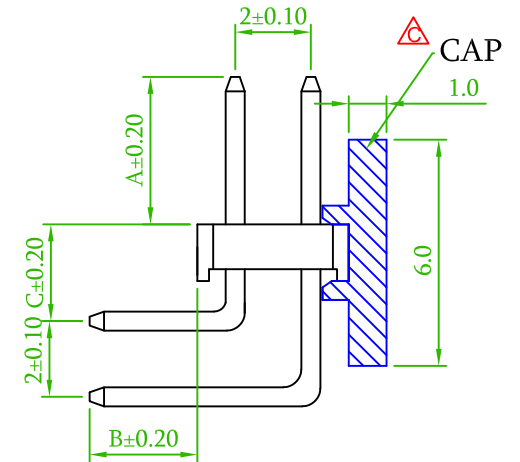
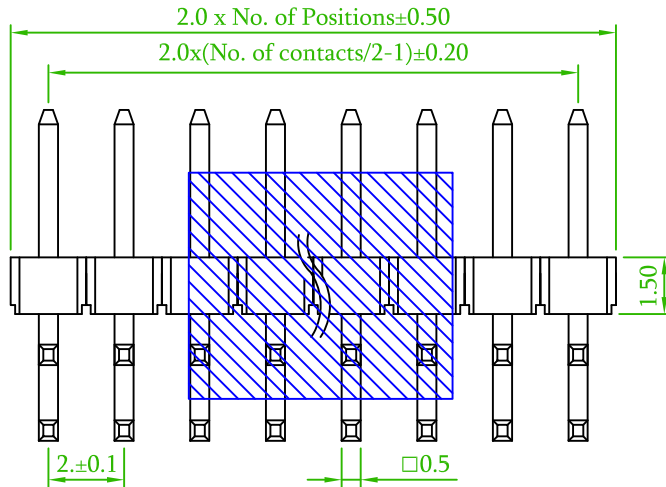
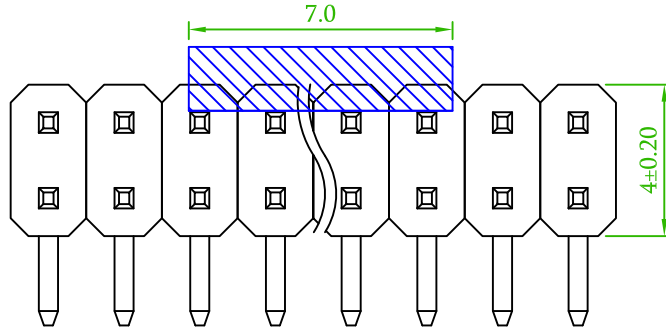
## SPECIFICATIONS

Current Rating: 2 AMP  
 Insulation Resistance: 1000MΩ Min.  
 Contact Resistance: 20mΩ Max.  
 Dielectric Voltage: 500V AC for one minute  
 Operation Temperature: -40°C to +105°C

## MATERIAL

Insulator: Hi-Temp. Thermoplastic, UL 94V-0  
 Contact Pin: Copper Alloy

2: Dual Row	No. of contacts Per Row(02~40)	G0: Gold Flash	S0: Selective Au	N: Non Type	U: RoHS +Hi-Temp.	EX: 035024030
		GA: Au 5u"	SA: Selective Au 5u"	N: W/O Peg	X: Box	A: 3.5
		GB: Au 10u"	SB: Selective Au 10u"		B: Bag	B: 2.4
		GC: Au 20u"	SC: Selective Au 20u"		C: Tube With Cap	C: 3.0
		GD: Au 30u"	SD: Selective Au 30u"			
		T0: Tin Plated	TE: Tin 200u"			



Recommended PCB Layout  
 (PCB TOLERANCE ±0.05)

Old Part No. : PH2R15-2XX-U

△	Add: CAP	David	2019/09/16
△	Modify order information	B	2017/02/03 Gary
REV.	ECN NO. OR DESCRIPTION	REVISED	DATE

糧德精密有限公司  
 Amtek Technology Co., Ltd.  
 TEL: 886-2-2260-6878  
 FAX: 886-2-2260-8030

品名 TITLE	PIN HEADER 2.0mm PLASTIC HEIGHT 1.5mm DIP R/A			頁數 Page	1/1
品號 PART NO.	5PH2RDA15-2XXXXNXXU -XXXXXXXXX-00			繪圖 DRAWN	Athena 2015/08/17
圖號 DRAWING NO.	GN016-GA235	版本 REV.	C	核對 CHECKED	John 2015/08/17
客戶品號 CUSTOMER P/N		比例 SCALE	None	承認 APPROVED	John 2015/08/17
公差 TOLERANCE	.X ±0.25 .XX ±0.20	單位 UNIT	mm	THIRD ANGLE PROJECTION	