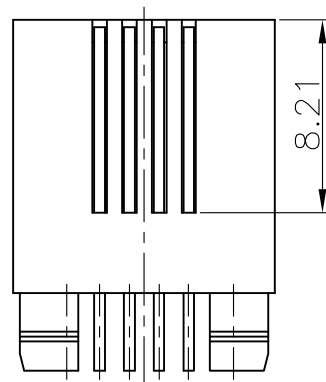
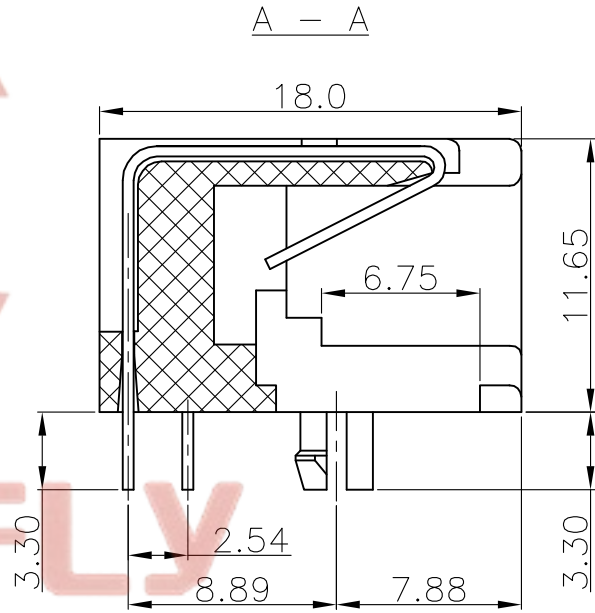
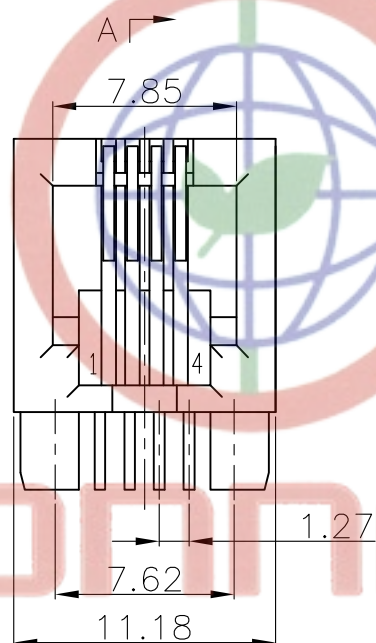


REV.	DESCRIPTION	DRAWN	CHECKED	APPROVED
A	NEW RELEASE	YCH 04/13/09'	~	

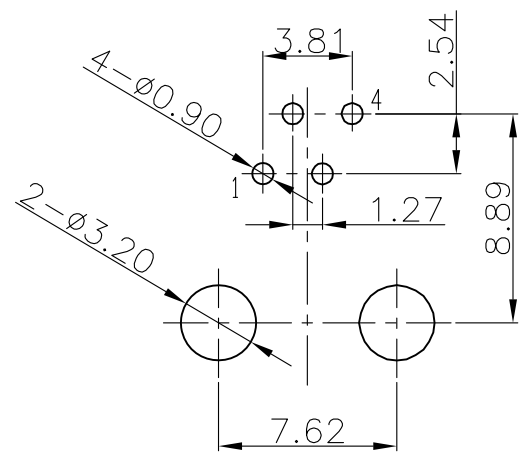


SPECIFICATION

1. Insulation Resistance:1000MΩ Min.
2. Withstand Voltage:500V AC/Minute.
3. Durability:600 Mating Cycles Min.
4. Contact Resistance: 50mΩ Max.
5. Product Number Code:

DS1132-01-X X X X X

- Ear Support
- S:W/ Ear
- X:W/O Ear
- Housing Color
- B:Black
- A:Gray
- Contact Plating
- 0:Gold Flash
- 3:Selective 3u" Gold
- (6;15;30)Micro Inch
- No.Of Contacts
- 4:4P4C
- Connector Type
- S:Socket



RECOMMEND PCB LAYOUT
TOLERANCE=±0.05mm

GENERAL TOLERANCE		ANGLE TOLERANCE		PROJECTION		TITLE	
X.	±0.60	X.	±5°	mm		PCB JACK 4p	
.X	±0.38	.X	±3°	UNITS	A4	SERIES	DS1132-01 SERIES
.XX	±0.25	.XX	±2°	SHEET SIZE			
DRAWING TYPE		CUSTOMER		晨翔电子有限公司 CONNFLY ELECTRONIC CO. LTD			
SCALE		1:1					
DRAWING NO.		C-DS1132-01-XXXX					

Tel:86-574-63508787
 Fax:86-574-63510817
 E-mail:sale@zhengqin.com.cn
 Http://www.connfly.com