



AL0510 SERIES ~ Axial Leaded Inductors

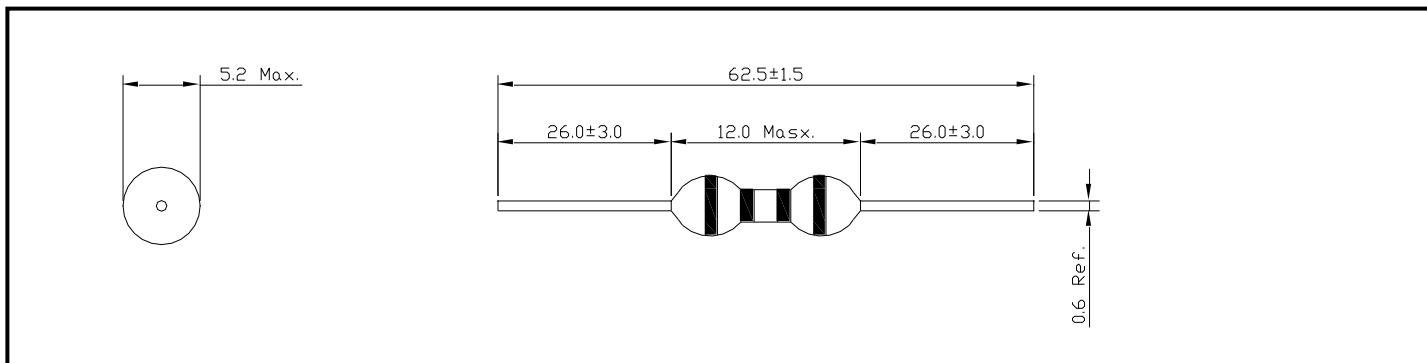


PART NUMBERING SYSTEM

| | | | | | |
|-----------|-------------|---|-------------|---|-----------|
| AL | 0510 | — | 122K | — | LF |
| TYPE | DIMENSIONS | | INDUCTANCE | | LEAD FREE |

SHAPES AND DIMENSIONS

UNIT : mm





AL0510 SERIES ~ Axial Leaded Inductors



SPECIFICATION TABLE

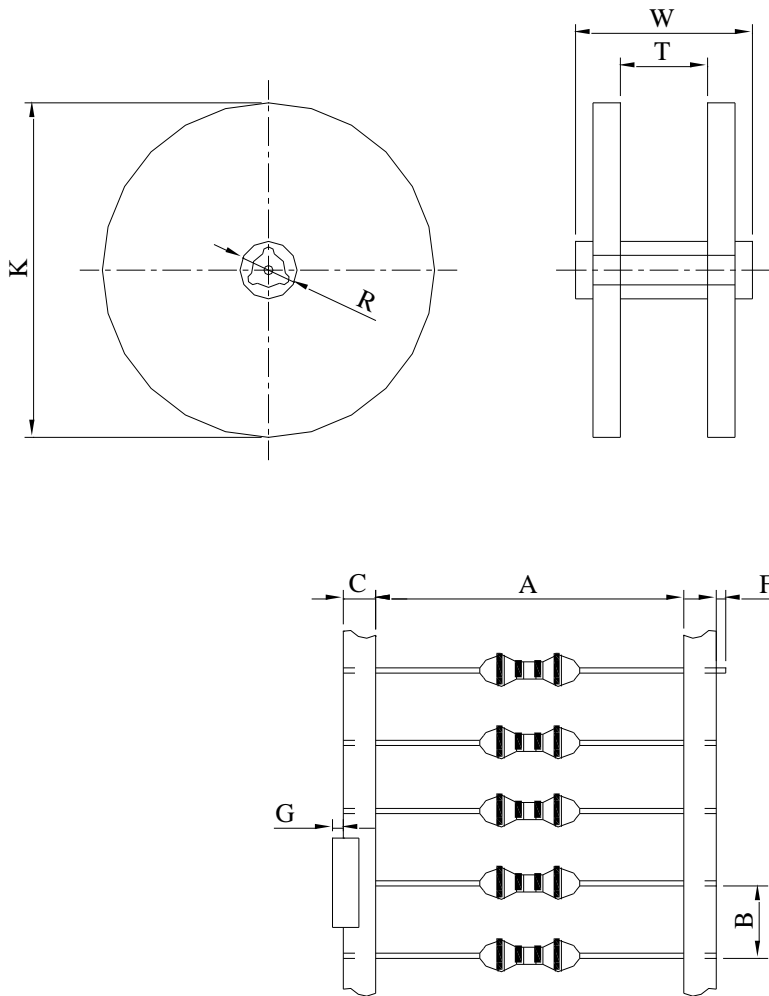
| PART NUMBER | INDUCTANCE (mH)(L) | Q (min) | DCR (Ω) (max) | IDC (mA) (max) | F (KHz) For "L" | F (KHz) For "Q" |
|----------------|-----------------------|------------|---------------------------|-------------------|--------------------|--------------------|
| AL0510-122K-LF | 1.20±10% | 60 | 14.50 | 120 | 1.0 | 252 |
| AL0510-152K-LF | 1.50±10% | 60 | 16.50 | 120 | 1.0 | 252 |
| AL0510-182K-LF | 1.80±10% | 60 | 19.00 | 120 | 1.0 | 252 |
| AL0510-222K-LF | 2.20±10% | 60 | 27.50 | 120 | 1.0 | 252 |
| AL0510-272K-LF | 2.70±10% | 60 | 40.00 | 60 | 1.0 | 252 |
| AL0510-332K-LF | 3.30±10% | 50 | 50.00 | 60 | 1.0 | 252 |
| AL0510-392K-LF | 3.90±10% | 50 | 53.00 | 60 | 1.0 | 252 |
| AL0510-472K-LF | 4.70±10% | 50 | 60.00 | 60 | 1.0 | 252 |
| AL0510-562K-LF | 5.60±10% | 50 | 64.00 | 60 | 1.0 | 252 |
| AL0510-682K-LF | 6.80±10% | 50 | 73.00 | 60 | 1.0 | 252 |
| AL0510-822K-LF | 8.20±10% | 30 | 80.00 | 60 | 1.0 | 252 |
| AL0510-103K-LF | 10.00±10% | 25 | 132.00 | 30 | 1.0 | 79.6 |
| AL0510-123K-LF | 12.00±10% | 25 | 143.00 | 30 | 1.0 | 79.6 |
| AL0510-153K-LF | 15.00±10% | 25 | 166.00 | 30 | 1.0 | 79.6 |
| AL0510-183K-LF | 18.00±10% | 25 | 185.00 | 30 | 1.0 | 79.6 |
| AL0510-223K-LF | 22.00±10% | 20 | 330.00 | 15 | 1.0 | 79.6 |
| AL0510-273K-LF | 27.00±10% | 20 | 370.00 | 15 | 1.0 | 79.6 |
| AL0510-303K-LF | 30.00±10% | 20 | 390.00 | 15 | 1.0 | 79.6 |
| AL0510-333K-LF | 33.00±10% | 20 | 426.00 | 15 | 1.0 | 79.6 |
| AL0510-393K-LF | 39.00±10% | 20 | 473.00 | 15 | 1.0 | 79.6 |



AL0510 SERIES ~ Axial Leaded Inductors



PACKAGING SPECIFICATION



| SERIES | STAYLE | Q'TY (PCS) | DIMENSIONS (m/m) | | | | | | | | |
|--------|--------|------------|------------------|----|----|------|--------|-------|-------|-----------------|-----|
| | | | K | T | W | R | A | B | C | F ⁺⁰ | G |
| AL0510 | | 5000 | 355 | 66 | 72 | 17.5 | 52±1.0 | 5±0.5 | 6±1.0 | 0.8 | 1.0 |