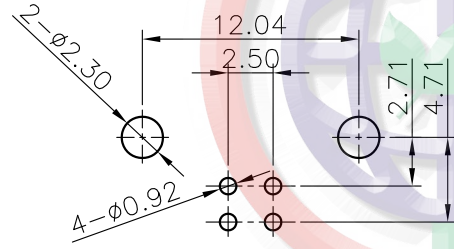
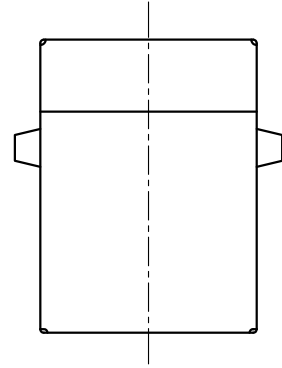


REV.	DESCRIPTION	DRAWN	CHECKED	APPROVED
A	NEW RELEASE	LJH 05/10/05'		LJC 05/10/05'
B	ADD SHELL MATERIAL TYPE	JLZ 04/09/15'		



RECOMMEND PCB LAYOUT  
TOLERANCE=±0.05

NOTES:

- SPECIFICATIONS:
  - CONTACT RESISTANCE:30mΩ max.
  - INSULATION RESISTANCE:1000MΩ min.
  - CURRENT RATING:1.5A.
  - VOLTAGE RATING:30VDC.
  - DIELECTRIC WITHSTANDING VOLTAGE:AC 500V FOR 1 Minute.

2. MATERIALS:

- HOUSING:PBT+30% GLASS FIBER(UL 94-0).
- CONTACT:COPPER ALLOY
- SHELL:COPPER ALLOY OR STEEL.

3. PRODUCT NUMBER CODE:

DS1099 - X X X - X

MATERIAL OF SHELL (B)

Fe: Steel  
N/A: Copper Alloy

CONTACT PLATING

0: Selective Gold Flash  
03: Selective Gold 3u"  
30: Selective Gold 30u"

SHELL PLATING

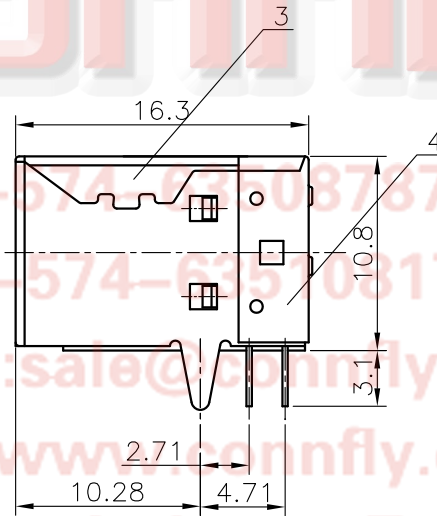
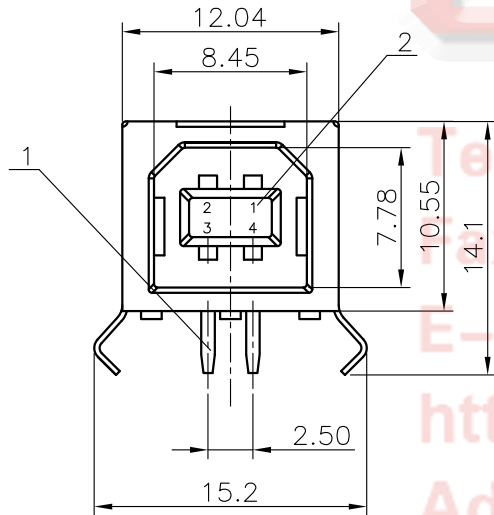
N: Nickel  
6: Tin

COLOR OF HOUSING:

W: WHITE  
B: BLACK

SERIES No.

DS1099 series



GENERAL TOLERANCE				ANGLE TOLERANCE		PROJECTION		TITLE
X.	±0.60	X.	±5°	UNITS	mm	USB B TYPE R/A DIP TYPE		
.X	±0.38	.X	±3°	SHEET SIZE	A4	SERIES	DS1099 SERIES	
.XX	±0.25	.XX	±2°	DRAWING TYPE		CUSTOMER		
DRAWING NO.				SCALE		SHEET		1 OF 1
C-DS1099-XXX-X-B				DRAWING NO.		C-DS1099-XXX-X-B		

晨翔电子有限公司  
CONNFLY CONNFLY ELECTRONIC CO., LTD

ITEM	PART NAME	MATERIALS	FINISHED
4	BACK SHELL	STEEL	SEE NOTES
3	FRONT SHELL	COPPER ALLOY OR STEEL	SEE NOTES
2	HOUSING	PBT	UL 94 V-0
1	CONTACT	COPPER ALLOY	SEE NOTES

4	BACK SHELL	STEEL	SEE NOTES
3	FRONT SHELL	COPPER ALLOY OR STEEL	SEE NOTES
2	HOUSING	PBT	UL 94 V-0
1	CONTACT	COPPER ALLOY	SEE NOTES