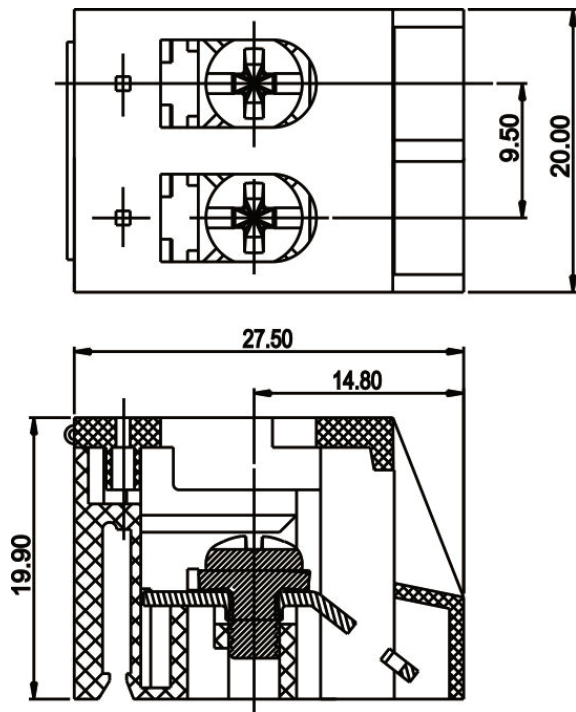
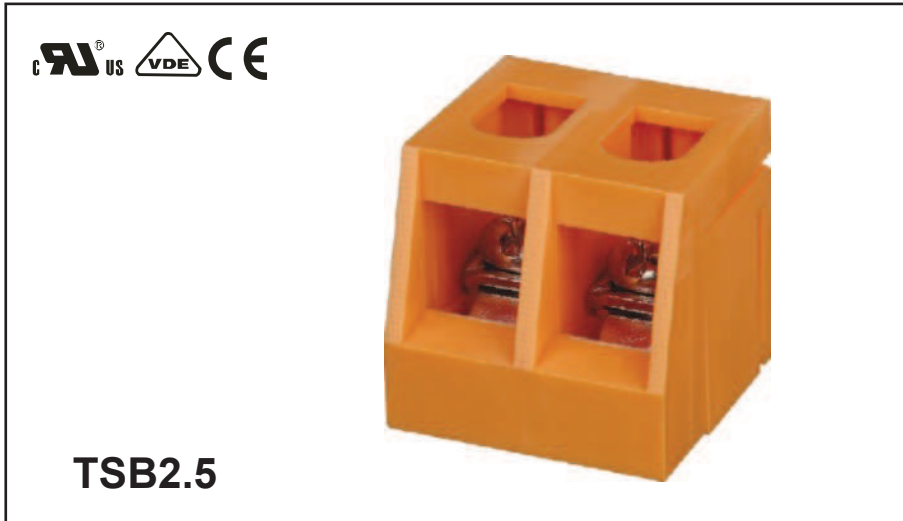




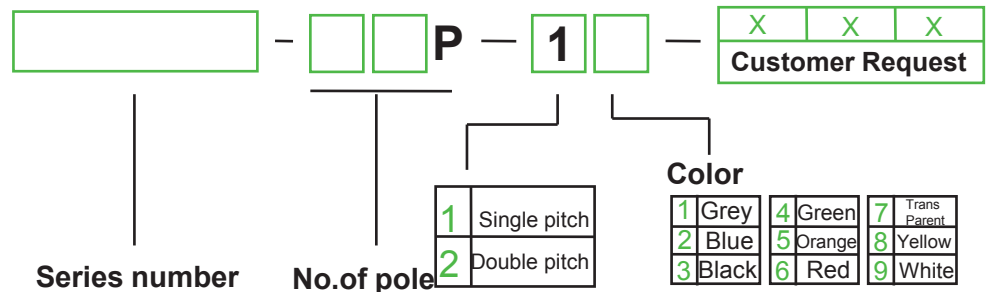
# DEGSON ELECTRONICS CO., LTD.

## Product Specification



|                      |                                      |                        |
|----------------------|--------------------------------------|------------------------|
| <b>APPROVAL</b>      |                                      |                        |
| <b>Electrical</b>    |                                      |                        |
| Standard             | <b>UL</b>                            | <b>IEC</b>             |
| Rated voltage        | 600V                                 | 250V                   |
| Rated current        | 10A                                  | 24A                    |
| Wire range           | 20-12AWG                             | 0.5-2.5mm <sup>2</sup> |
| Withstanding voltage | AC2000V/1Min                         |                        |
| <b>Mechanical</b>    |                                      |                        |
| Torque               | 0.5Nm(4.4Lb-In)                      |                        |
| Ambient temperature  | -40°C~+105°C                         |                        |
| Strip length         | 8-10mm                               |                        |
| <b>Dimensions</b>    |                                      |                        |
| Pitch                | 9.5mm(.374")                         |                        |
| Poles                | 2P                                   |                        |
| <b>Material</b>      |                                      |                        |
| Housing              | PA66,UL94V-0                         |                        |
| Screws               | M3, Steel,Cr <sup>3+</sup> Zn plated |                        |
| Contact              | Copper, Tin plated                   |                        |

### HOW TO ORDER :



|  |                                     |
|--|-------------------------------------|
|  | <b>DEGSON ELECTRONICS CO., LTD.</b> |
|  | <b>NAME</b> <b>TSB2.5</b>           |