
EM78M680

USB Full Speed Microcontroller

Product Specification

DOC. VERSION 1.1

ELAN MICROELECTRONICS CORP.


February 2007



Trademark Acknowledgments:

IBM is a registered trademark and PS/2 is a trademark of IBM.

Windows is a trademark of Microsoft Corporation.

ELAN and ELAN logo  are trademarks of ELAN Microelectronics Corporation.

Copyright © 2006 by ELAN Microelectronics Corporation

All Rights Reserved

Printed in Taiwan

The contents of this specification are subject to change without further notice. ELAN Microelectronics assumes no responsibility concerning the accuracy, adequacy, or completeness of this specification. ELAN Microelectronics makes no commitment to update, or to keep current the information and material contained in this specification. Such information and material may change to conform to each confirmed order.

In no event shall ELAN Microelectronics be made responsible for any claims attributed to errors, omissions, or other inaccuracies in the information or material contained in this specification. ELAN Microelectronics shall not be liable for direct, indirect, special incidental, or consequential damages arising from the use of such information or material.

The software (if any) described in this specification is furnished under a license or nondisclosure agreement, and may be used or copied only in accordance with the terms of such agreement.

ELAN Microelectronics products are not intended for use in life support appliances, devices, or systems. Use of ELAN Microelectronics product in such applications is not supported and is prohibited.

NO PART OF THIS SPECIFICATION MAY BE REPRODUCED OR TRANSMITTED IN ANY FORM OR BY ANY MEANS WITHOUT THE EXPRESSED WRITTEN PERMISSION OF ELAN MICROELECTRONICS.



ELAN MICROELECTRONICS CORPORATION

Headquarters:

No. 12, Innovation Road 1
Hsinchu Science Park
Hsinchu, Taiwan 30077
Tel: +886 3 563-9977
Fax: +886 3 563-9966
<http://www.emc.com.tw>

Hong Kong:

Elan (HK) Microelectronics Corporation, Ltd.
Flat A, 19F., World Tech Centre
95 How Ming Street, Kwun Tong
Kowloon, HONG KONG
Tel: +852 2723-3376
Fax: +852 2723-7780
elanhk@emc.com.hk

USA:

Elan Information Technology Group (USA)
1821 Saratoga Ave., Suite 250
Saratoga, CA 95070
USA
Tel: +1 408 366-8225
Fax: +1 408 366-8220

Europe:

Elan Microelectronics Corp. (Europe)
Siewerdstrasse 105
8050 Zurich, SWITZERLAND
Tel: +41 43 299-4060
Fax: +41 43 299-4079
<http://www.elan-europe.com>

Shenzhen:

Elan Microelectronics Shenzhen, Ltd.
SSMEC Bldg., 3F, Gaoxin S. Ave.
Shenzhen Hi-Tech Industrial Park
Shenzhen, Guangdong, CHINA
Tel: +86 755 2601-0565
Fax: +86 755 2601-0500

Shanghai:

Elan Microelectronics Shanghai, Ltd.
23/Bldg. #115 Lane 572, Bibo Road
Zhangjiang Hi-Tech Park
Shanghai, CHINA
Tel: +86 21 5080-3866
Fax: +86 21 5080-4600

Contents

1	General Description	1
2	Features	1
3	Pin Assignment	4
3.1	Function Type Description	4
3.2	Pin Configuration	4
4	Pin Description	6
5	Block Diagram	7
6	Function Description	7
6.1	Program Memory	7
6.2	Data Memory	8
6.2.1	Operational Registers	10
6.2.1.1	R0 (Indirect Address Register)	10
6.2.1.2	R1 (Timer/Clock Counter, TCC)	10
6.2.1.3	R2 (Program Counter & Stack)	10
6.2.1.4	R3 (Status Register)	11
6.2.1.5	R4 (RAM Select Register)	12
6.2.1.6	R5 (Port 5 I/O Register)	13
6.2.1.7	R6 (Port 6 I/O Register)	13
6.2.1.8	R7 (Port 7 I/O Register)	13
6.2.1.9	R8 (Port 8 I/O Register)	13
6.2.1.10	R9 (Port 9 I/O Register)	13
6.2.1.11	RA (USB Endpoint 0 Status Register)	13
6.2.1.12	RC (FIFO Indirect Index Register)	14
6.2.1.13	RD (FIFO Indirect Data Register)	14
6.2.1.14	RE (Interrupt Status Register)	15
6.2.1.15	RF (Interrupt Status Register)	15
6.2.1.16	R10 (USB Endpoint Status Register)	15
6.2.1.17	R11 (AD Controller/AD Selection Pin)	16
6.2.1.18	R12 (Dual Mode Control)	17
6.2.1.19	R14 (ADC Output Data) : ADC Output Data for Selecting Pin	17
6.2.1.20	R17 (EEPROM Control Register)	18
6.2.1.21	R18~R1F (General Purpose Register)	18
6.2.1.22	R20~R3F (General Purpose Register)	18
6.3	Special Function Registers	19
6.3.1	A (Accumulator)	19
6.3.2	CONT (Control Register)	19
6.3.3	IOC5 ~ IOC9 (I/O Port Control Register)	20
6.3.4	IOCA (RFCNT: RF Control Register)	20
6.3.5	IOCB (PWM_CNT: PWM Controller)	20



6.3.6	IOCC (Reserve).....	21
6.3.7	IOCD (Port 9 Pull High Control Register).....	21
6.3.8	IOCE (MCU Control Register).....	21
6.3.9	IOCF (Interrupt Mask Register).....	22
6.4	USB Device Controller	23
6.5	Device Address and Endpoints.....	23
6.6	Reset.....	23
6.6.1	Power-on Reset.....	23
6.6.2	Watchdog Reset.....	23
6.6.3	USB Reset.....	24
6.7	Saving Power Mode	24
6.7.1	Power Down Mode.....	24
6.7.2	Dual Clock Mode.....	24
6.8	Interrupt.....	25
6.9	Pattern Detect Application (PDA)	26
6.9.1	Function Description.....	26
6.9.2	Control Register	26
6.9.2.1	IOCF [2~3] PDA Enable Control Bit t	26
6.9.2.2	IOCA (PDA Control Register).....	26
6.9.2.3	R15 ERAM1 (P.92 Low Pattern Counter).....	26
6.9.2.4	R16 ERAM1 (P.92 High Pattern Counter).....	26
6.9.2.5	R17 ERAM1 (P.93 Low Pattern Counter).....	26
6.9.2.6	R18 ERAM1 (P.93 High Pattern Counter).....	27
6.9.3	Sampling Rate and Debounce Length	27
6.10	Pulse Width Modulation (PWM)	28
6.10.1	Function Description.....	28
6.10.2	Duty Cycle.....	29
6.10.3	Control Register	29
6.10.3.1	R15 (PWM1 Duty Cycle Register).....	29
6.10.3.2	R16 (PWM2 Duty Cycle Register).....	29
6.10.3.3	IOCB (PWM Control Register).....	29
6.11	Analog-To-Digital Converter (ADC)	30
6.11.1	Function Description.....	30
6.11.2	Control Register	30
6.11.2.1	R11 (AD Channel Select Register).....	30
6.11.2.2	R13 (AD LSB Data Register).....	31
6.11.2.3	R14 (AD MSB Data Register).....	31
7	Absolute Maximum Ratings	31
8	DC Electrical Characteristic	32

APPENDIX

A	Special Registers Map	34
B	Instruction Set	41
C	Code Option.....	44
D	Application Circuit.....	47

PRELIMINARY



Specification Revision History

Doc. Version	Revision Description	Date
0.9	Preliminary version	2006/08/29

PRELIMINARY

1 General Description

The EM78M680 is a series of 8-bit Universal Serial Bus, RISC architecture, Multi-Time Programming (MTP) microcontrollers. It is specifically designed for USB full speed device application. The EM78M680 also supports one device address and five endpoints.

The EM78M680 has eight-level stack and four sets of interrupt sources. It has a maximum of 36 General Input/Output pins with the capacity of sinking large current. Each device has 271 bytes of general purpose SRAM, 6K bytes of program ROM, and is embedded with 32 bytes of EEPROM.

These series of ICs have special features that meet user's requirements. Such features are:

- Dual Clock mode which allows the device to run on very low power.
- Pattern Detect Application function which is used in serial transmission to count waveform width
- Pulse Width Modulation that can generate a duty-cycle-programmable signal
- 24-channel AD converter with up to 10 bits resolution

2 Features

- Operating voltage: 4.4V ~ 5.25V
- USB Specification Compliance
 - Universal Serial Bus Specification Version 1.1
 - USB Device Class Definition for Human Interface Device (HID), Firmware Specification Version 1.1
 - Supports one device address and five endpoints
- USB Application
 - P74 (D+) has an internal pull-high resistor (1.5K Ω)
 - USB protocol handling
 - USB device state handling
 - Identifies and decodes Standard USB commands to Endpoint Zero

- Built-in 8-bit RISC MCU
 - 8-level stacks for subroutine nesting, and interrupt
 - 4 sets of interrupts
 - 8-bit real time clock/counter (TCC) with overflow interrupt
 - Built-in RC oscillator free running for Watchdog Timer and Dual clock mode
 - Two independent programmable prescalers for WDT and TCC
 - Two methods of power saving:
 - Power-down mode (Sleep mode)
 - Dual clock mode
 - Two clocks per instruction cycle
 - Multi-time programmable
- Set 1 INT : (jump to 0x08)
 - TCC overflow interrupt
 - EP0 command in interrupt
 - USB suspend interrupt
 - USB reset interrupt
 - USB HOST resume interrupt
- Set 2 INT : (jump to 0x10)
 - RF1 low pattern interrupt
 - RF1 high pattern interrupt
 - RF2 low pattern interrupt
 - RF2 high pattern interrupt
- Set 3 INT : (jump to 0x18)
 - P77 port change interrupt
 - P76 port change interrupt
- Set 4 INT : (jump to 0x20)
- EP1~5 output Endpoint received O.K interrupt
- I/O Ports
 - 3 LED sink pins
 - Each GPIO pin in Ports 5, 6, 8, P90~P93, P95, P96, P70~P72 and P76~P77, has an internal programmable pull-high resistor (25 K Ω)
 - Each GPIO pin of Port 6, P76~P77, and Port 9 can wakeup the MCU from sleep mode by input state change

- Internal Memory
 - Built-in 6K×13 bits Program ROM
 - Built-in 271 bytes general purpose registers (SRAM)
 - Built-in USB Application FIFOs
 - Built-in 32 bytes E²PROM
- Operation Frequency
 - Normal Mode: MCU runs on an external oscillator frequency of 4MHz, Internal system frequency of 8MHz, 16MHz or 24MHz
 - Dual Clock Mode: MCU runs at a frequency of 256kHz (or 32kHz, 4kHz, 500Hz), using an internal oscillator with an external crystal resonator turned off to save power
- Built-in Pattern Detecting Application for serial signal transmission
- Built-in Pulse Width Modulation (PWM)
 - 2 channels PWM function on P.92 (PWM1) and P.93 (PWM2)
 - 8-bit resolution of PWM output
 - 8 selections of duty cycles
- Built-in 24-Channel Analog-to-Digital Converter (ADC)
 - Built-in AD Converter with 10-bit resolution
 - 4 types of ADC clock source selection: 256K/128K/64K/32K
- Built-in 3.3V Voltage Regulator
 - For UDC power supply
 - Pull-up source for the external USB resistor on D+ pin
- Package Type
 - 44-pin QFP (EM78M680 (A/D) AQ)
 - 40-pin DIP 600mil (EM78M680 (A/D) AP)
 - 24-pin DIP 600mil (EM78M680 (A/D) CP)
 - 24-pin SOP 300mil (EM78M680 (A/D) CM)
 - 20-pin DIP 300mil (EM78M680 (A/D) BP)
 - 20-pin SOP 300mil (EM78M680 (A/D) BM)

3 Pin Assignment

3.1 Function Type Description

The EM78M680 series has four types of packaging. Each type is divided into two modules, namely; original, and with both E²PROM and A/D Converter. Hence, packaging configuration for each series is defined. Table 3.1 below summarizes which series of the EM78M680 belong to which module.

Table 3-1 Packaging Summary of EM78M680 Series IC

Original	With Both
EM78M680A * *	EM78M680D * *

3.2 Pin Configuration

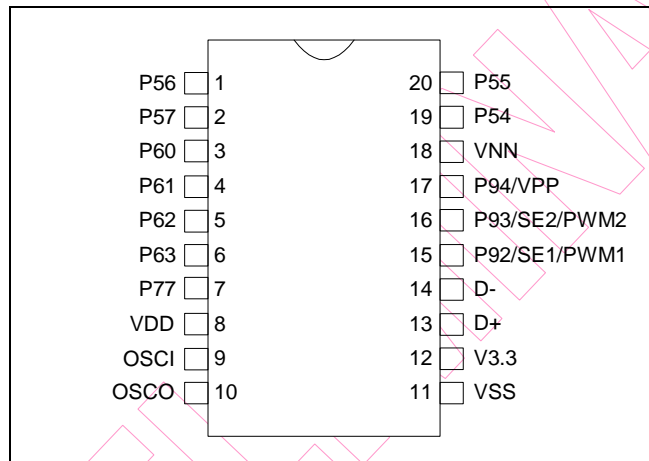


Fig. 3-1 EM78M680*BP/*BM (20-Pin DIP/SOP)

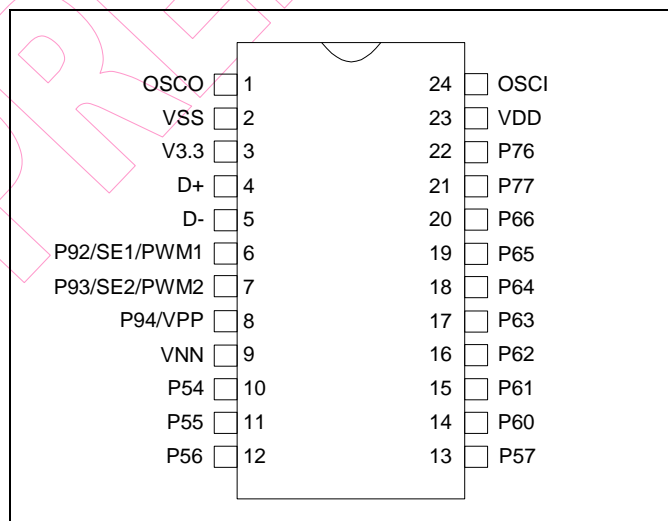


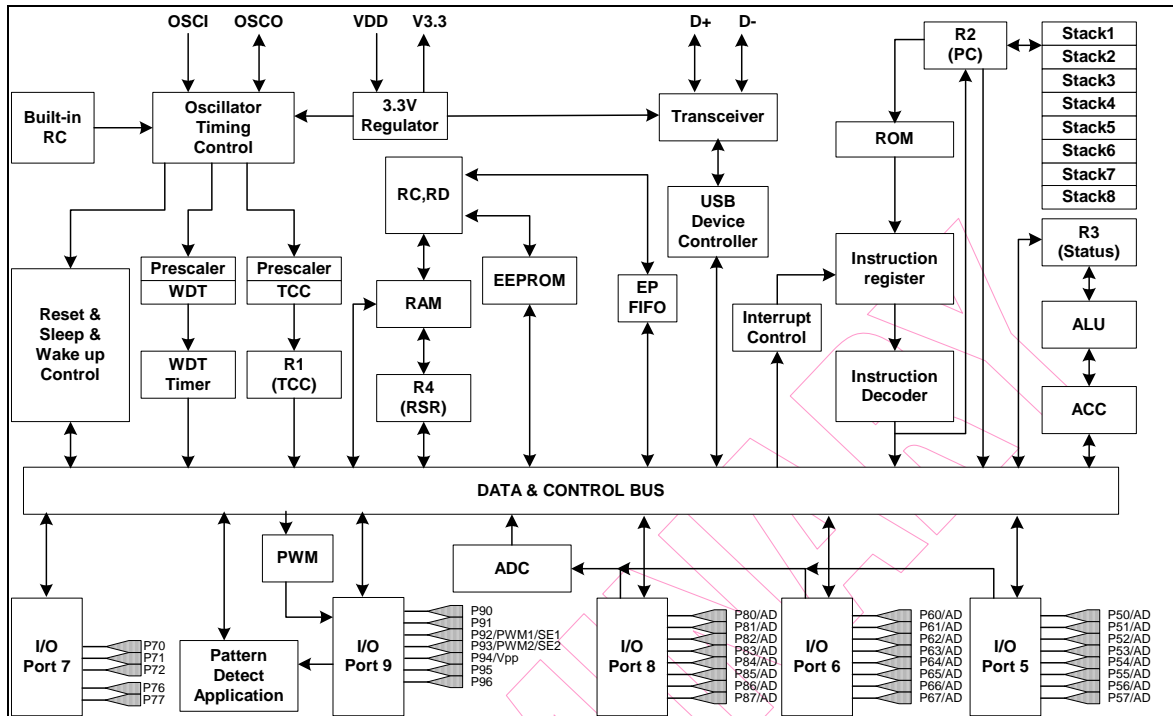
Fig. 3-2 EM78M680*CP/*CM (24-Pin DIP/SOP)

Fig. 3-4 EM78M680*AQ (44-Pin QFP)

4 Pin Description

Symbol	I/O	Function
P50 ~ P57	I/O	General 8-bit bidirectional input/output port. All pins on this port can be internally pulled-high by register IOCE Bit 0. All Port 5 input/output pins can be used for ADC function.
P60 ~ P67	I/O	General 8-bit bidirectional input/output port. All pins on this port can be internally pulled-high by register IOCE Bit 1. All Port 6 input/output pins can be used for ADC function.
P70 ~ P72 P76 ~ P77	I/O	General 8-bit bidirectional input/output port. All pins on this port can be internally pulled-high by register IOCE Bit 3. The sink current of P70 ~ P72 are used for driving LED.
P80 ~ P87	I/O	General 8-bit bidirectional input/output port. All pins on this port can be internally pulled-high by register IOCE Bit 2. All Port 8 input/output pins can be used for ADC function.
P94 / VPP	I	MTP program pin. Used in programming the on-chip ROM. P94 functions as an input pin only (without an internally pulled-high resistor).
P90 ~ P93 P95 ~ P96	I/O	General bidirectional input/output port. Each pin can be internally pulled-high by register IOCD. P92 ~ P93 can be used for PWM (pulse width modulation) or PDA (serial signal transmission application) function.
USB D+	I/O	USB D+ pin. Built-in internal 1.5K pulled-high resistor to V3.3
USB D-	I/O	USB D- pin.
OSCI	I	4MHz crystal resonator input.
OSCO	I/O	Return path for 4MHz crystal resonator.
VNN	-	MTP program pin. Used in programming the on-chip ROM. During normal operation, this pin is connected to Ground.
V3.3	O	3.3V DC voltage output from an internal regulator. This pin has to be tied to a 4.7µF capacitor.
VDD	-	Connect to the USB power source or to a nominal 5V-power supply. Actual VDD range can vary between 4.4V and 5.25V.
VSS	-	Connect to ground.

5 Block Diagram



6 Function Description

The EM78M680 memory is organized into four spaces, namely; User Program memory in 6K×13 bits ROM space, Data Memory in 271 bytes SRAM space, EEPROM space, and USB Application FIFOs for Endpoint 0, Endpoint 1, Endpoint 2, Endpoint 3, Endpoint 4, Endpoint 5. Furthermore, several registers are used for special purposes.

6.1 Program Memory

The program space of the EM78M680 is 6K bytes, and is divided into six pages. Each page is 1K bytes long. After a Reset, the 13-bit Program Counter (PC) points to location zero of the program space.

The Interrupt Vectors are at 0x0008 (USB and TCC interrupts), 0x0010 (RF interrupt), 0x0018 (P76 P77 port change interrupt) and 0x020 (EP1~5 output endpoint interrupt).

After an interrupt, the MCU will auto push the RAM bank value (RSR Bits 6, 7) (RA,7), page selector (Status Bits 5, 6, 7), and Accumulator (A) and fetch the next instruction from the corresponding address as illustrated in the following diagram.

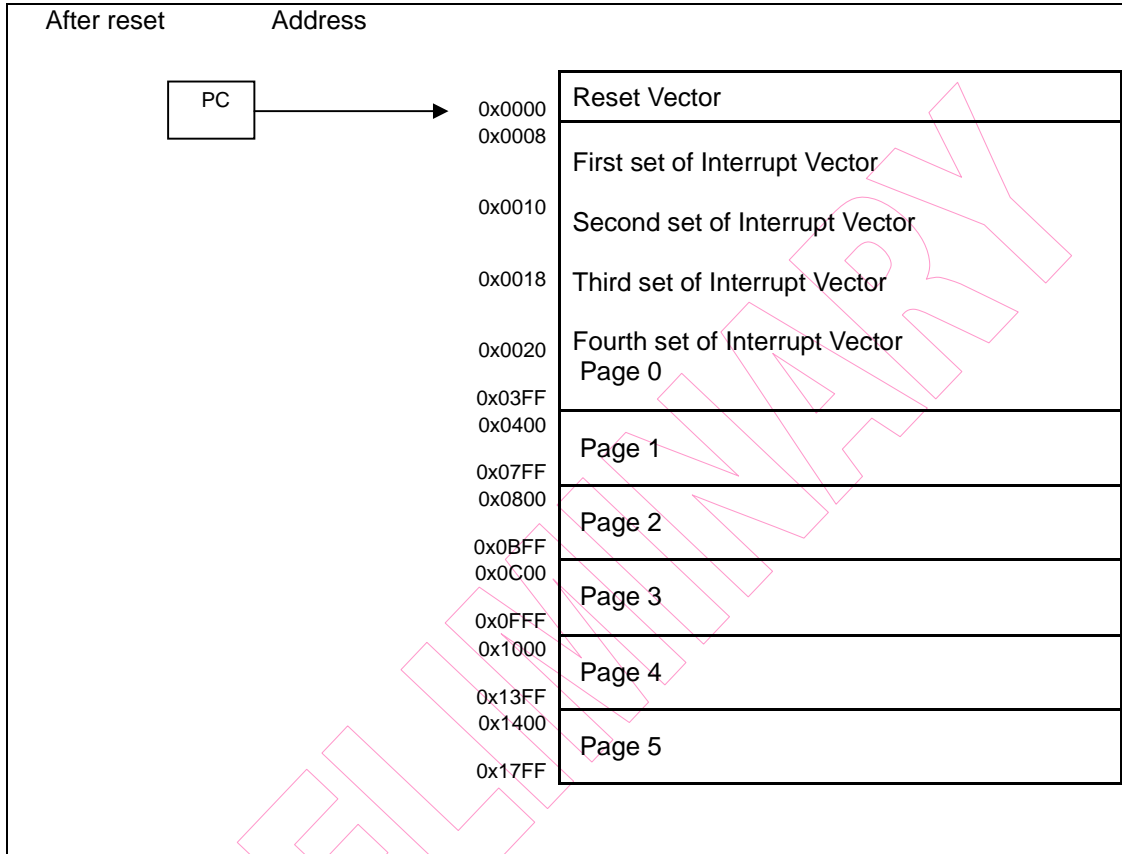


Fig 6-1. EM78M680 Data RAM Organization

6.2 Data Memory

The Data Memory has 271 bytes SRAM space. It is also equipped with USB Application FIFO space for USB Application. Figure 6.2 shows the organization of the Data Memory Space.

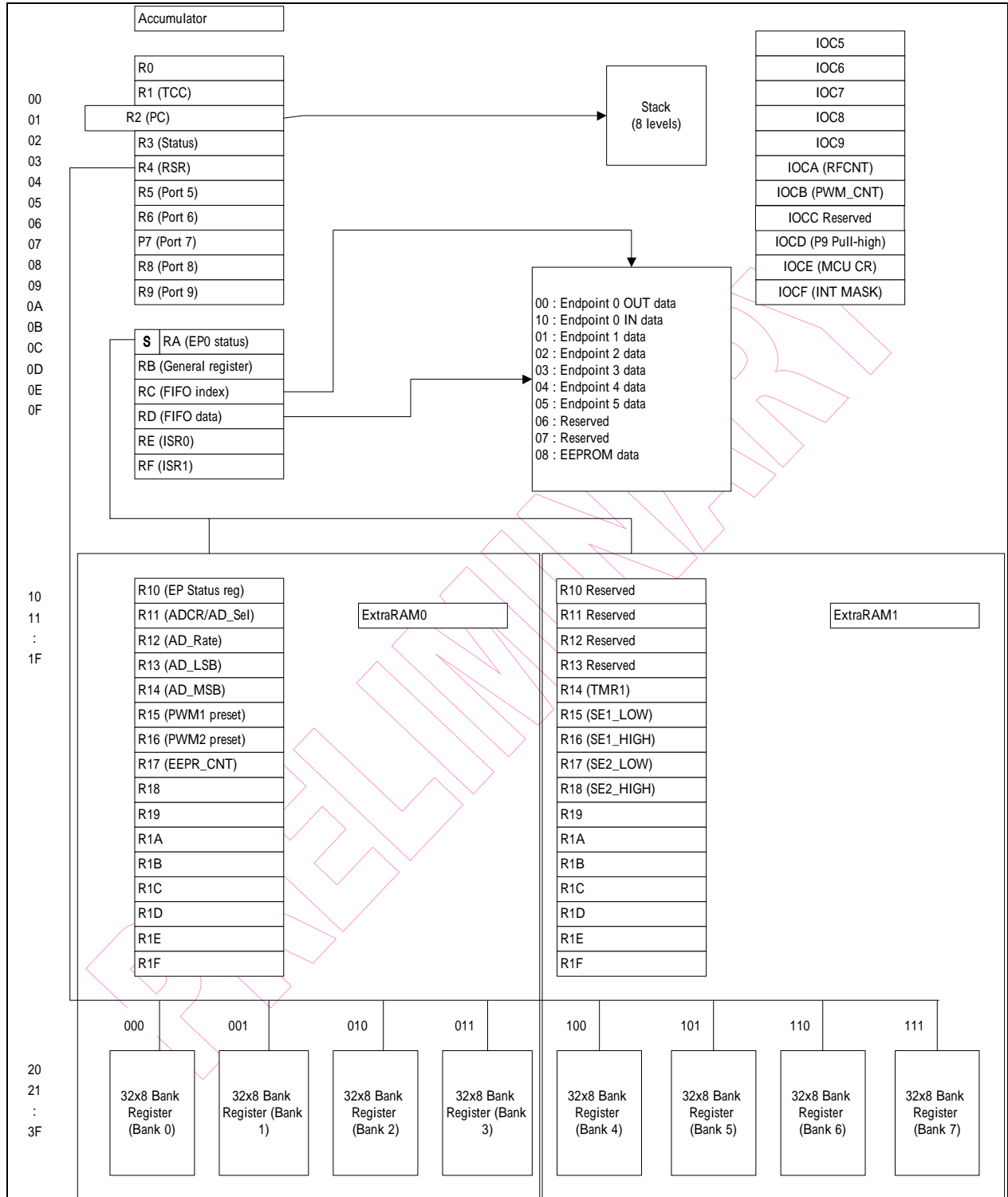


Fig. 6-2 Data Memory Configuration

6.2.1 Operational Registers

6.2.1.1 R0 (Indirect Address Register)

R0 is not a physically implemented register. It is used as an indirect addressing pointer. Any instruction using R0 as register actually accesses data pointed by the RAM Select Register (R4).

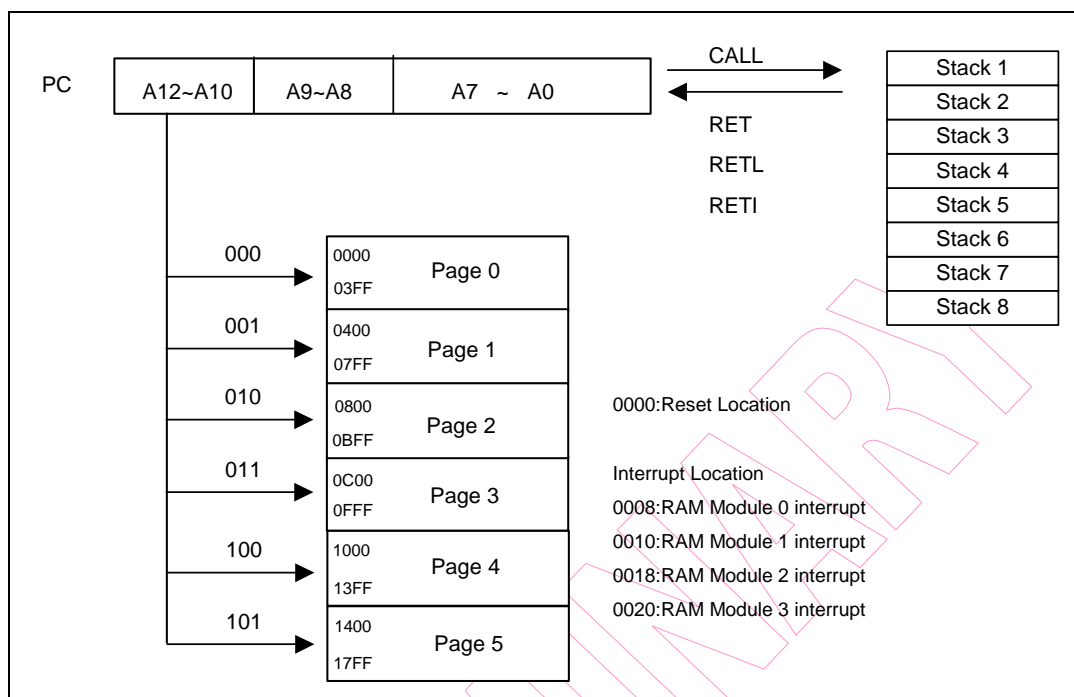
6.2.1.2 R1 (Timer/Clock Counter, TCC)

This register TCC, is an 8-bit timer or counter. It is incremented by the instruction cycle clock, and is readable and writable as any other register.

6.2.1.3 R2 (Program Counter & Stack)

- R2 and the hardware stacks are 13 bits wide.
- The structure is depicted in Fig. 3.
- Generates 6K×13 on-chip ROM addresses to the relative programming instruction codes. One program page is 1024 words long.
- All the R2 bits are set to "0"s when a reset condition occurs.
- "JMP" instruction allows direct loading of the lower 10 program counter bits. Thus, "JMP" allows jump to any location on one page.
- "CALL" instruction loads the lower 10 bits of the PC, and then PC+1 is pushed onto the stack. Thus, the subroutine entry address can be located anywhere within a page
- "RET" ("RETL k", "RETl") instruction loads the program counter with the contents at the top of stack.
- "MOV R2, A" allows the loading of an address from the "A" register to the lower 8 bits of PC, and the ninth and tenth bits (A8~A9) of PC are cleared.
- "ADD R2, A" allows a relative address to be added to the current PC, and the ninth and tenth bits of PC are cleared.
- Any instruction that is written to R2 (e.g. "ADD R2, A", "MOV R2, A", "BC R2,6", etc.), except "TBL" will cause the ninth and tenth bits (A8~A9) of the PC to be cleared. Thus, the computed jump is limited to the first 256 locations of any program page.
- "TBL" allows a relative address to be added to the current PC (R2+A→R2), and contents of the ninth and tenth bits (A8~A9) of the PC are not changed. Thus, the computed jump can be on the second (third, or 4th) 256 locations on one program page.
- For the EM78M680, the most significant bits (A10~A12) will be loaded with the contents of bits PS0~PS2 in the status register (R3) upon the execution of a "JMP", "CALL", or any other instructions which writes to R2.

- All instructions are single instruction cycle except for the instruction that would change the contents R2. Such instruction will need one more instruction cycle.



6.2.1.4 R3 (Status Register)

Bit 7	Bit 6	Bit 5	Bit 4	Bit 3	Bit 2	Bit 1	Bit 0
PS2	PS1	PS0	T	P	Z	DC	C

After an interrupt occurs, MCU will save R3 bit5~7 first and clear PS0~PS2 automatically.

R3 [0] Carry flag

R3 [1] Auxiliary carry flag

R3 [2] Zero flag. It will be set to 1 when the result of an arithmetic or logic operation is zero.

R3 [3] Power down flag. It will be set to 1 during Power-on phase or by "WDTC" command and cleared when the MCU enters into Power-down mode. It remains in its previous state after a Watchdog Reset.

"0" : Power-down mode

"1" : Power on

Values of RST, T and P after a Reset

Reset Type	T	P
Power on	1	1
WDT during Operation mode	0	P
WDT wake-up during Sleep 1 mode	0	0



WDT wake-up during Sleep 2 mode	0	P
Wake-up on pin change during Sleep 2 mode	P	P

*P: Previous value before reset

Status of RST, T and P Being Affected by Events

Event	T	P
Power on	1	1
WDTC instruction	1	1
WDT time-out	0	*P
SLEP instruction	1	0
Wake-Up on pin change during Sleep 2 mode	P	P

*P: Previous value before reset

R3 [4] Time-out flag. It will be set to 1 during Power-on phase or by “WDTC” command. It is reset to 0 by WDT time-out.

“0” : Watchdog timer with overflow

“1” : Watchdog timer without overflow

R3 [5~7] Page selection bits. These three bits are used to select the page of the program memory.

PS2	PS1	PS0	Program Memory Page [Address]
0	0	0	Page 0 [000-3FF]
0	0	1	Page 1 [400-7FF]
0	1	0	Page 2 [800-BFF]
0	1	1	Page 3 [C00-FFF]
1	0	0	Page 4 [1000-13FF]
1	0	1	Page 5 [1400-17FF]

6.2.1.5 R4 (RAM Select Register)

Bit 7	Bit 6	Bit 5	Bit 4	Bit 3	Bit 2	Bit 1	Bit 0
BK1	BK0	Ad5	Ad4	Ad3	Ad2	Ad1	Ad0

R4 (RAM select register) contains the address of the registers. When interrupt occurs , the MCU will save R4 value automatically.

R4 [0~5] are used to select registers (address: 0x00h~0x3Fh) in indirect addressing mode.

R4 [6~7] are used to determine which bank is activated among the 8 banks. To select a register bank, refer to the table below:

R4[7]BK1	R4[6]BK0	RAM Bank #
0	0	Bank 0
0	1	Bank 1

1	0	Bank 2
1	1	Bank 3

6.2.1.6 R5 (Port 5 I/O Register) Default Value: (0B_0000_0000)

Bit 7	Bit 6	Bit 5	Bit 4	Bit 3	Bit 2	Bit 1	Bit 0
P57	P56	P55	P54	P53	P52	P51	P50

6.2.1.7 R6 (Port 6 I/O Register) Default Value: (0B_0000_0000)

Bit 7	Bit 6	Bit 5	Bit 4	Bit 3	Bit 2	Bit 1	Bit 0
P67	P66	P65	P64	P63	P62	P61	P60

6.2.1.8 R7 (Port 7 I/O Register) Default Value: (0B_0000_0000)

Bit 7	Bit 6	Bit 5	Bit 4	Bit 3	Bit 2	Bit 1	Bit 0
P77	P76	D-	D+	-	P72	P71	P70

6.2.1.9 R8 (Port 8 I/O Register) Default Value: (0B_0000_0000)

Bit 7	Bit 6	Bit 5	Bit 4	Bit 3	Bit 2	Bit 1	Bit 0
P87	P86	P85	P84	P83	P82	P81	P80

6.2.1.10 R9 (Port 9 I/O Register) Default Value: (0B_0000_0000)

Bit 7	Bit 6	Bit 5	Bit 4	Bit 3	Bit 2	Bit 1	Bit 0
-	P96	P95	P94	P93	P92	P91	P90

6.2.1.11 RA (USB Endpoint 0 Status Register): Default Value: (0B0000_0000)

Bit 7	Bit 6	Bit 5	Bit 4	Bit 3	Bit 2	Bit 1	Bit 0
Extr_R	Remote Status	EP0_W	EP0_R	Dev_Resume	UDC_Suspend	UDC_Writing	STALL

RA [0] STALL flag. When the MCU receives an unsupported command or invalid parameters from host, this bit will be set to 1 by the firmware to notify the UDC to return a STALL handshake. When a successful setup transaction is received, this bit is cleared automatically. This bit is both readable and writable.

RA [1] UDC Writing flag. Read only. When this bit is equal to "1," it indicates that the UDC is writing data into the EP0's FIFO or reading data from it. During this time, the firmware will avoid accessing the FIFO until the UDC finishes writing or reading. This bit is only readable.

1 : EP0's FIFO is busy

0 : EP0's FIFO is free for data transition. ACK, NAK are reset.

RA [2] UDC Suspend flag. If this bit is equal to 1, it indicates that the USB bus has no traffic for a specified period of 3.0 ms. This bit will also be cleared automatically when a bus activity takes place. This bit is only readable.



RA [3] Device resume flag. This bit is set by firmware to generate a signal to wake up the USB host and is cleared as soon as the USB Suspend signal becomes low. This bit can only be set by firmware and cleared by hardware. It can only be used under dual mode. This bit is both readable and writable.

RA [4] EP0_R flag. This bit informs the UDC to read the data written by the firmware from the FIFO. Then the UDC will automatically send the data to the Host. After the UDC finishes reading the data from the FIFO, this bit will be cleared automatically.

Therefore, before writing data into FIFO, the firmware will first check this bit to avoid overwriting the data. This bit can only be set by the firmware and cleared by the hardware.

RA [5] EP0_W. After the UDC completes writing data to the FIFO, this bit will be set automatically. The firmware will clear it as soon as it gets the data from EP0's FIFO. Only when this bit is cleared will the UDC be able to write a new data into the FIFO.

Therefore, before the firmware can write a data into the FIFO, this bit must first be set by the firmware to prevent the UDC from writing data at the same time. This bit is both readable and writable.

RA [6] Remote wake-up status. Pass device remote wake-up setting from the PC.

RA [7] Extra RAM switch. RAM block switch
0: Switch to Bank 0~Bank 3 and external RAM0
1: Switch to Bank 4~Bank 7 and external RAM1

6.2.1.12 RC (FIFO Indirect Index Register)

Bit 7	Bit 6	Bit 5	Bit 4	Bit 3	Bit 2	Bit 1	Bit 0
0	0	0	UAD4	UAD3	UAD2	UAD1	UAD0

RC [0~4] Application FIFO address registers. These five bits are the address pointer of Application FIFO.

RC [5~7] Undefined registers.

6.2.1.13 RD (FIFO Indirect Data Register)

Bit 7	Bit 6	Bit 5	Bit 4	Bit 3	Bit 2	Bit 1	Bit 0
UAD7	UAD6	UAD5	UAD4	UAD3	UAD2	UAD1	UAD0

RD (Application FIFO data register) contains the data in the register of which address is pointed by RC.

6.2.1.14 RE (Interrupt Status Register)

Bit 7	Bit 6	Bit 5	Bit 4	Bit 3	Bit 2	Bit 1	Bit 0
P77_IF	P76_IF	Reserved	Reserved	RF2_High	RF2_Low	RF1_High	RF1_Low

- RE [0] RF1_Low flag: Pattern Detection interruption flag. RF1 low pattern compare flag.
- RE [1] RF1_High flag: Pattern Detection interruption flag. RF1 high pattern compare flag.
- RE [2] RF2_Low flag: Pattern Detection interruption flag. RF2 low pattern compare flag.
- RE [3] RF2_High flag: Pattern Detection interruption flag. RF2 high pattern compare flag.
- RE [4-5] Reserved. Do not use.
- RE [6] P76_IF: P76 State Change interruption flag.
- RE [7] P77_IF: P77 State Change interruption flag. The interrupt vector is in 0x0018 address.

6.2.1.15 RF (Interrupt Status Register)

Bit 7	Bit 6	Bit 5	Bit 4	Bit 3	Bit 2	Bit 1	Bit 0
OUT_EP_IF	-	-	Resume_IF	USBReset_IF	Suspend_IF	EPO_IF	TCC_IF

- RF [0] TCC timer overflow interruption flag. It will be set while TCC timer overflows, and is cleared by the firmware.
- RF [1] EndPoint Zero interruption flag. It will be set when the EM78M680 receives Vender /Customer Command to EndPoint Zero. This bit is cleared by the firmware
- RF [2] USB Suspend interrupt flag: It will be set when the EM78M680 finds the USB Suspend Signal on USB bus. This bit is cleared by the firmware.
- RF [3] USB Reset interrupt flag. It will be set when the Host issues the USB Reset signal.
- RF [4] USB Host Resume interrupt flag. It will be set only under Dual clock mode when the USB suspend signal becomes low.
- RF [5-6] Not used and read as "0".
- RF [7] OUT endpoint interrupt flag. It will be set when the fifo of outendpoint has been received data from host.

Extra RAM0 :

6.2.1.16 R10 (USB Endpoint Status Register) : Default (0b0000_0000)

Bit 7	Bit 6	Bit 5	Bit 4	Bit 3	Bit 2	Bit 1	Bit 0
-	-	-	EP5_ST	EP4_ST	EP3_ST	EP2_ST	EP1_ST



R10 [0~4] EPx_ST: End point state flag.

These five bits inform the UDC to read the data written by the firmware from the FIFO. Then the UDC will automatically send the data to the Host. After UDC finishes reading the data from the FIFO, this bit will be automatically cleared. Therefore, before writing data into FIFO's, the firmware will first check this bit to avoid overwriting the data. These five bits can only be set by the firmware and cleared by the hardware. Readable and writable.

For OUT Endpoint: After an out token is finish, and the UDC completes writing data to the FIFO, this bit will be set automatically, and run into interrupt vector 0x0020. The firmware should clear it as soon as it gets the data from OUT Endpoint's FIFO. Only when this bit is cleared will the UDC be able to write a new data into the FIFO.

6.2.1.17 R11 (AD Controller/AD Selection Pin) : Default (0b0001_1111)

Bit 7	Bit 6	Bit 5	Bit 4	Bit 3	Bit 2	Bit 1	Bit 0
AD_start	AD_R1	AD_R0	AD_A4	AD_A3	AD_A2	AD_A1	AD_A0

R11 [0~4] AD channel selector: If the AD number is from zero to 0x17, the AD converter will be powered on. Otherwise, it will be powered off.

AD number	00000	00001	00010	00011
AD pin	AD0	AD1	AD2	AD3
AD number	00100	00101	00110	00111
AD pin	AD4	AD5	AD6	AD7
AD number	01000	01001	01010	01011
AD pin	AD8	AD9	AD10	AD11
AD number	01100	01101	01110	01111
AD pin	AD12	AD13	AD14	AD15
AD number	10000	10001	10010	10011
AD pin	AD16	AD17	AD18	AD19
AD number	10100	10101	10110	10111
AD pin	AD20	AD21	AD22	AD23

R11 [5~6] AD conversion clock source.

00 : 256K

01 : 128K

10 : 64K

11 : 32K

R11 [7] AD Converter ready flag.

0 → **1** : Start AD Conversion (set by firmware).

1 → **0** : When AD finishes converting and has moved digital data into the AD Data Register, this bit will be reset by hardware.

NOTE

Hardware can enable this function only at the AD Channel Selector of the functional I/O port. After Power-on reset, the initial value of this register is 0b0001 1111.

6.2.1.18 R12 (Dual Mode Control) : Default (0b0000_1000)

Bit 7	Bit 6	Bit 5	Bit 4	Bit 3	Bit 2	Bit 1	Bit 0
–	USB-Token	LOW FR1	LOW FR0	/LOW FREQ	–	–	–

R12 [3] /LOW FREQ: Dual Clock Control bit. This bit is used to select the frequency of the system clock. When this bit is set to 0, the MCU will run on very slow frequency for power saving purposes and the UDC will stop working.

0 : slow frequency (500Hz~256kHz)

1 : Normal frequency

R12 [4~5] LOW FR0 ~ LOW FR1: Low Frequency Switches. These bits select the operation frequency in Dual Clock Mode. Four frequencies are available and can be chosen as Dual Clock Mode for running the MCU program.

Low FR1	Low FR0	Frequency
0	0	500Hz
0	1	4kHz
1	0	32kHz
1	1	256kHz

■ **Bit 6 (USB-Token)** : Set when USB Token from Host. Reset when end of the Token.

6.2.1.19 R14 (ADC Output Data) : ADC Output Data for Selecting Pin.

Default (0b0000_0000). Read Only

When the A/D conversion is completed, the result is loaded to R13 & R14.

Bit 7	Bit 6	Bit 5	Bit 4	Bit 3	Bit 2	Bit 1	Bit 0
ADB1	ADB0	0	0	0	0	0	0

Bit 7	Bit 6	Bit 5	Bit 4	Bit 3	Bit 2	Bit 1	Bit 0
ADB9	ADB8	ADB7	ADB6	ADB5	ADB4	ADB3	ADB2

R15 : The high level time of the 1st PWM module that outputs to P92 (If PWM function is enabled).

R16 : The high level time of the 2nd PWM module that outputs to P93(If PWM function is enabled).



R15~R16 can be a general purpose register if the PWM function is disabled.

6.2.1.20 R17 (EEPROM Control Register) : Default (0b0000_0011)

Bit 7	Bit 6	Bit 5	Bit 4	Bit 3	Bit 2	Bit 1	Bit 0
-	EE_Act	EE_Reset	EE_A4	EE_A3	EE_O.K	EE_C1	EE_C0

This register is a general register if the EEPROM function is disabled.

R17 [0~1] EE_C0 ~ EE_C1: EEPROM control bits.

- 00** : Read data from EEPROM to EEPROM FIFO.
- 01** : Write data from EEPROM FIFO to EEPROM
- 10** : Erase EEPROM
- 11** : Disable EEPROM function

R17 [2] EE_O.K: EEPROM activated O.K bits.

- 0** : not O.K
- 1** : O.K

R17 [3~4] EE_A4 ~ EE_A3: Bank selector. The EEPROM is divided into four banks, these two bits can select which bank of the EEPROM to read, write or erase.

- 00** : Byte 0 ~Byte 7
- 01** : Byte8~Byte 15
- 10** : Byte16~Byte 23
- 11** : Byte 24~Byte 31

R17 [5] EE_Reset: EEPROM FIFO Address Reset flag.

- 0** : Default. EE_Reset is set to 0 after FIFO address is reset
- 1** : Reset EEPROM FIFO address by firmware

R17 [6] EE_Act: EEPROM activated mode switch.

- 0** : Activate all EEPROM
- 1** : Activate partial EEPROM

6.2.1.21 R18~R1F (General Purpose Register)

R17~R1F are general-purpose registers.

6.2.1.22 R20~R3F (General Purpose Register)

R20~R3F (including Banks 0~3) are general-purpose registers.

Extra RAM1 :

R10 ~ R14 (Reserved Register) : Do not use

R15 (SE1_LOW): low signal counter of the 1st RF module that inputted from P92.

R16 (SE1_HIGH): high signal counter of the 1st RF module that is inputted from P92.

R17 (SE2_LOW): low signal counter of the 2nd RF module that is inputted from P93.

R18 (SE2_HIGH): low signal counter of the 2nd RF module that is inputted from P93.

R15 ~ R18 are RF Timing counter registers if RF function is enabled by setting Bit 2 or Bit 3 of IOCF. Otherwise, they are general registers.

R19~R1F (General Purpose Register)

R19~R1F are general-purpose registers.

R20~R3F (General Purpose Register)

R20~R3F (including Banks 4~7) are general-purpose registers.

6.3 Special Function Registers

6.3.1 A (Accumulator)

The accumulator is an 8-bit register that holds operands and results of arithmetic calculations. It is not addressable. After an interrupt occurs, the Accumulator is auto-saved by hardware.

6.3.2 CONT (Control Register)

Bit 7	Bit 6	Bit 5	Bit 4	Bit 3	Bit 2	Bit 1	Bit 0
–	INT	TSR2	TSR1	TSR0	PSR2	PSR1	PSR0

Except for Bit 6 (Interrupt enable control bit), the CONT register can be read by the instruction "CONTR" and written to by the instruction "CONTW".

CONT [6] INT: An interrupt enable flag cannot be written by the CONTW instruction.

CONT [3~5] TSR0 ~ TSR2: TCC prescaler bit

CONT [0~2] PSR0 ~ PSR2: WDT prescaler bits

PSR2	PSR1	PSR0	TCC Rate (Base Freq: Fosc/2)	WDT Rate
0	0	0	1:2	1:1
0	0	1	1:4	1:2
0	1	0	1:8	1:4
0	1	1	1:16	1:8
1	0	0	1:32	1:16



1	0	1	1:64	1:32
1	1	0	1:128	1:64
1	1	1	1:256	1:128

6.3.3 IOC5 ~ IOC9 Port Direction Control Register

These are I/O port (Port5 ~ Port7) direction control registers. Each bit controls the I/O direction of three I/O ports respectively. When these bits are set to 1, the relative I/O pins become input pins. Similarly, the I/O pins becomes outputs when the relative control bits are cleared.

- 0 : Output direction
- 1 : Input direction

6.3.4 IOCA (RFCNT: RF Control Register)

Bit 7	Bit 6	Bit 5	Bit 4	Bit 3	Bit 2	Bit 1	Bit 0
-	-	RF2	RF1	RF0	RF_DBN2	RF_DBN1	RF_DBN0

IOCA [0~2] RF_DBN0 ~ RF_DBN2: These are used for defining debounce times in RF pattern detecting application.

IOCA [3~5] RF0 ~ RF2: RF Timing prescaler bits. Base on MCU frequency.

RF2	RF1	RF0	Timing Rate	8MHz System Clock (Time(Cnt.))	256kHz RC Mode (Time (Cnt.))
0	0	0	1:1	0.125µs (1), 31.875µs (255)	3.91µs (1), 996.1µs (255)
0	0	1	1:2	0.25µs (1), 63.75µs (255)	7.81µs (1), 1992µs (255)
0	1	0	1:4	0.5µs (1), 127.5µs (255)	15.625µs (1), 3984µs (255)
0	1	1	1:8	1µs (1), 255µs (255)	31.25µs (1), 7969µs (255)
1	0	0	1:16	2µs (1), 510µs (255)	62.5µs (1), 15.938ms (255)
1	0	1	1:32	4µs (1), 1020µs (255)	125µs (1), 31.875ms (255)
1	1	0	1:64	8µs (1), 2040µs (255)	250µs (1), 63.75ms (255)
1	1	1	1:128	16µs (1), 4080µs (255)	500µs (1), 127.5ms (255)

6.3.5 IOCB (PWM_CNT: PWM Controller) : Default (0b0000_0001)

Bit 7	Bit 6	Bit 5	Bit 4	Bit 3	Bit 2	Bit 1	Bit 0
PW2_E	PW1_E	-	-	-	PWM_SR2	PWM_SR1	PWM_SR0

IOCB [0~2] PWM_SR0 ~ PWM_SR2: PWM clock prescaler

Base on MCU frequency (ex : Fosc = 8MHz)

PWM_SR2	PWM_SR1	PWM_SR0	Clock (Hz)
0	0	0	Fosc / 2
0	0	1	Fosc / 4
0	1	0	Fosc / 8
0	1	1	Fosc / 16
1	0	0	Fosc / 32
1	0	1	Fosc / 64
1	1	0	Fosc / 128

1	1	1	Fosc / 256
---	---	---	------------

IOCB [6] (PW1_E): PW1 Enable. The 1st PWM (P92) module enable bit.

0 : Disable the PWM function of the 1st module

1 : Enable the PWM function of the 1st module

IOCB [7] (PW2_E): PWM2 Enable: The 2nd PWM (P93) module enable bit.

0 : Disable the PWM function of the 2nd module

1 : Enable the PWM function of the 2nd module

6.3.6 IOCC (Reserve): Do not use

6.3.7 IOCD (Port 9 Pull High Control Register)

Default Value: (0B_1111_1111)

Bit 7	Bit 6	Bit 5	Bit 4	Bit 3	Bit 2	Bit 1	Bit 0
1	/PH96	/PH95	1	/PH93	/PH92	/PH91	/PH90

IOCD [0~6] /PH90 ~ /PH96: These bits control the 25KΩ pull-high resistor of individual pins in Port 9. If the I/O port is set as output, the pull-high function is disabled.

0 : Enable the pull-high function

1 : Disable the pull-high function

6.3.8 IOCE (MCU Control Register) : Default (0b1101_1111)

Bit 7	Bit 6	Bit 5	Bit 4	Bit 3	Bit 2	Bit 1	Bit 0
S7	/WUE	WTE	SLPC	/PU7	/PU8	/PU6	/PU5

IOCE [0~3] /PU5~/PU8: Pull-High Control register. Default=1, Disable pull high function. If the I/O port is set as output, the pull-high function is disabled.

0 : Enable the pull-high function

1 : Disable the pull-high function

IOCE [4] SLPC: This bit can be cleared by the firmware and set during power-on, or by the hardware at the falling edge of wake-up signal. When this bit is cleared, the clock system is disabled and the MCU enters into Power down mode. At the transition of wake-up signal from high to low, this bit is set to enable the clock system.

0 : Sleep mode. The device is in power down mode.

1 : Run mode. The device is working normally.

IOCE [5] WTE: Watchdog timer enable bit. WDT is disabled/ enabled by the WTE bit.

0 : Disable WDT

1 : Enable WDT

IOCE [6] /WUE: Enable the weak-up function as triggered by port- changed.



0 : Enable wake-up function

1 : Disable wake-up function

IOCE [7] S7 bit : S7 defines the driving ability of P70-P72

0 : Normal output

1 : Enhance the driving ability of LED

6.3.9 IOCF (Interrupt Mask Register)

Bit 7	Bit 6	Bit 5	Bit 4	Bit 3	Bit 2	Bit 1	Bit 0
OUTEP_IE	P76/P77_IE	Reserved	Resume_IE	RF2_IE	RF1_IE	USB_IE	TCC_IE

IOCF [0] TCC_IE: TCIF interrupt enable bit

0 : Disable TCIF interrupt

1 : Enable TCIF interrupt

IOCF [1] USB_IE: USB interrupt enable bit. Bits 1, 2, 3 of RF interrupt will be enabled while this bit is set.

0 : Disable USB_IE interrupt

1 : Enable USB_IE interrupt

IOCF [2] RF1_IE: RF1 pattern compare interrupt enable bit. Bits 0, 1 of RE interrupt will be enabled while this bit is set.

0 : Disable RF1_IE interrupt

1 : Enable RF1_IE interrupt

IOCF [3] RF2_IE: RF2 pattern compare interrupt enable bit. Bits 2, 3 of RE interrupt will be enabled while this bit is set.

0 : Disable RF2_IE interrupt

1 : Enable RF2_IE interrupt

IOCF [4] Resume_IE: USB Resume interrupt enable bit

0 : Disable Resume_IE interrupt

1 : Enable Resume_IE interrupt

IOCF [5] Reserved. **Do not use.**

IOCF [6] P76/P77_IE: P76/P77 port change interrupt enable bit. Bits 6, 7 of RE interrupt will be enabled while this bit is set.

0 : Disable P76/P77_IE interrupt

1 : Enable P76/P77_IE interrupt

IOCF [7] OUTEP_IE: Output Endpoint interrupt enable bit

0 : disable OUTEP_IE interrupt

1 : enable OUTEP_IE interrupt

Only when the global interrupt is enabled by the ENI instruction that the individual interrupt will work. After DISI instruction, any interrupt will not work even if the respective control bits of IOCF are set to 1.

The USB Host Resume Interrupt works only under Dual clock mode. This is because when the MCU is under sleep mode, it will be waked up by the UDC Resume signal automatically

6.4 USB Device Controller

The USB Device Controller (UDC) built-in in the EM78M680 can interpret the USB Standard Command and response automatically without involving firmware. The embedded Series Interface Engine (SIE) handles the serialization and de-serialization of actual USB transmission. Thus, a developer can concentrate his efforts more in perfecting the device actual functions and spend less energy in dealing with USB transaction.

The UDC handles and decodes most Standard USB commands defined in the USB Specification Rev 1.1. If the UDC receives an unsupported command, it will set a flag to notify the MCU the receipt of such command.

Each time the UDC receives a USB command, it writes the command into EP0's FIFO. Only when it receives unsupported command that the UDC will notify the MCU through interrupt.

Therefore, the EM78M680 is very flexible for USB applications since developers can freely choose the method of decoding the USB command as dictated by different situation.

6.5 Device Address and Endpoints

The EM78M680 supports one device address and five endpoints, EP0 for control endpoint, EP1 ~ EP5 for interrupt/bulk /isochronous endpoints. Sending data to USB host in EM78M680 is very easy. Just write data into the EP's FIFO, then set the flag, and the UDC will handle the rest. It will then confirm that the USB host has received the correct data from the EM78M680.

6.6 Reset

The EM78M680 provides three types of reset: (1) Power-on Reset, (2) Watchdog Reset, and (3) USB Reset.

6.6.1 Power-on Reset

Power-on Reset occurs when the device is attached to power and a reset signal is initiated. The signal will last until the MCU becomes stable. After a Power-on Reset, the MCU enters the following predetermined states (see below), and then, it is ready to execute the program.

- a. The program counter is cleared.
- b. The TCC timer and Watchdog timer are cleared.

c. Special registers and Special Control registers are all set to their initial value.

6.6.2 Watchdog Reset

When the Watchdog timer overflows, it causes the Watchdog to reset. After it resets, the program is executed from the beginning and some registers will be reset. The UDC however, remains unaffected.

6.6.3 USB Reset

When the UDC detects a USB Reset signal on the USB Bus, it interrupts the MCU, then proceeds to perform the specified process that follows. After a USB device is attached to the USB port, it cannot respond to any bus transactions until it receives a USB Reset signal from the bus.

6.7 Saving Power Mode

The EM78M680 provides two options of power-saving modes for energy conservation, i.e., Power Down mode and Dual clock mode.

6.7.1 Power Down Mode

The EM78M680 enters into Power Down mode by clearing the SLPC register (IOCE[4]). During this mode, the oscillator is turned off and the MCU goes to sleep. It will wake up when signal from USB host is resumed, or when the Watchdog reset or the input port state changes.

If the MCU wakes up when the I/O port status changes, the direction of I/O port should be set at input direction, then read the port status.

For example:

```
:
// Set the Port 6 to input port
MOV    A , 0XFF
IOW    PORT6
// Read the status of Port 6
MOV    PORT6, PORT6
// Clear the RUN bit
IOR    0XE
AND    A , 0B11101111
IOW    0XE
:
:
```

If the MCU is awoken by a USB Resume signal, the next instruction will be executed and one flag, IOCE[4] will be set to 1.

6.7.2 Dual Clock Mode

The EM78M680 has one internal oscillator for power saving application. Clearing the Bit R12 [3] of ExteraRAM0 will enable the low frequency oscillator. At the

same time, the external oscillator will be turned off. Then the MCU will run under very low frequency to conserve power. Four types of frequency are available for selection in setting Bits R12 [4, 5].

The USB Host Resume Interrupt can only be used in this mode. If this interrupt is enabled, the MCU will be interrupted when the USB Resume signal is detected on USB Bus.

6.8 Interrupt

The EM78680 has four interrupt vectors 0x0008, 0x0010, 0x0018, 0x0020. When an interrupt occurs during an MCU running program, it will jump to the interrupt vector and execute the instructions sequentially from the interrupt vector. RE and RF is the interrupt status register, which records the interrupt status in the relative flags/bits.

The interrupt condition could be one of the following:

- Set 1 INT: (jump to 0x08)
 - TCC overflow interrupt
 - EP0 command in interrupt
 - USB suspend interrupt
 - USB reset interrupt
 - USB HOST resume interrupt

- Set 2 INT: (jump to 0x10)
 - RF1 low pattern interrupt
 - RF1 high pattern interrupt
 - RF2 low pattern interrupt
 - RF2 high pattern interrupt

- Set 3 INT: (jump to 0x18)
 - P77 port change interrupt
 - P76 port change interrupt

- Set 4 INT: (jump to 0x20)
 - EP5~8 output Endpoint received O.K interrupt

IOCF is an interrupt mask register which can be set bit by bit. While their respective bit is written to 0, the hardware interrupt will inhibit, that is, the EM78M680 will not jump to the interrupt vector to execute instructions. But the interrupt status flags still records the conditions no matter whether the interrupt is



masked or not. The interrupt status flags must be cleared by firmware before leaving the interrupt service routine and enabling interrupt.

The global interrupt is enabled by the ENI (RETI) instruction and is disabled by the DISI instruction.

6.9 Pattern Detect Application (PDA)

6.9.1 Function Description

This function is designed for the serial signal transmission, e.g., the transmission between a wireless device and its receiver box. The EM78M680 has two sets of built-in Pattern Detect Application block that ensures the EM78M680 is equipped with a compound device, such as the receiver box controller for a wireless keyboard paired with a wireless mouse.

Pattern Detect Application (PDA) can calculate the length of one pattern and interrupt the MCU while the serial signal is transiting from high to low (or vice-versa). Then the MCU reads the length value from a specified register.

6.9.2 Control Register

The PDA includes two enable control bits, one control register and four length counter registers in 0x15 ~0x18 in ExtraRAM1.

6.9.2.1 IOCF [2~3] PDA Enable Control Bit

When this bit is set, the PDA function starts and the P92 and P93 become input pin automatically to sample the serial signal.(note: Enabling these two bits also enabling the interrupt mask of PDA.)

0 : disable PDA function

1 : enable PDA function

6.9.2.2 IOCA (PDA Control Register) Default Value: (0B_0000_0000)

Bit 7	Bit 6	Bit 5	Bit 4	Bit 3	Bit 2	Bit 1	Bit 0
		RF.2	RF.1	RF.0	DB2	DB1	DB0

This register is used to define two parameters of PDA function; signal sampling rate and debounce length. When a pattern ends, the value in the counter is loaded into its respective register and the RE[0~4] is set to indicate which channel and which type of pattern (high or low) is at its end or which type of pattern counter is on overflow.

0 : low pattern

1 : high pattern

6.9.2.3 R15 ExtraRAM1 (P.92 Low Pattern Counter)

This register records the length of P.92 in low status.

6.9.2.4 R16 ExtraRAM1 (P.92 High Pattern Counter)

This register records the length of P.92 in high status.

6.9.2.5 R17 ExtraRAM1 (P.93 Low Pattern Counter)

This register records the length of P.93 in low status

6.9.2.6 R18 ExtraRAM1 (P.93 High Pattern Counter)

This register records the length of P.93 in high status.

R15~R18 function as general registers if this function is not enabled. Once the enabled bit is set, these four registers will be loaded with the value of the pattern counter.

6.9.3 Sampling Rate and Debounce Length

The two pattern detect pins are separate, and each pin has its own pattern counter. Both pins use the same Sampling Rate and Debounce Length parameters.

The PDA samples the serial signal for every fixed interval. The pattern counter will be incremented by one at sampling time if the signal remains unchanged. If the signal is at high state, then the “high pattern counter“ will be incremented, otherwise the “low pattern counter” is incremented. As long as the signal state changes, the PDA will debounce signal and load the value of the pattern counter into the respective register for the firmware to read. For example, if the signal in P.92 is in “low” state, the low counter of P.92 will count continuously until the state of the input signal in P.92 changes. When a state change occurs (in this case, the signal changes from “low” to “high” state), the PDA will take a time break (which is equal to the result of sampling interval multiplied by the debounce length), to avoid possible noise. After the debounce length time, if the signal remains in high state, the high pattern counter will start to count and load the low pattern counter’s value into R15 ExtraRAM1. At the same time, RE [0] is set to indicate that the low pattern is over.

The correlation between the value of control register and debounce time are as follows:

DB.2	DB.1	DB.0	Debounce Time
0	0	0	No Sampling clock.
0	0	1	1 Sampling clock
0	1	0	2 Sampling clock
0	1	1	3 Sampling clock.
1	0	0	4 Sampling clock
1	0	1	5 Sampling clock
1	1	0	6 Sampling clock
1	1	1	7 Sampling clock

Now consider another situation of this case, where the signal of P92 always stays “low”. The low pattern counter of P92 will eventually overflow. Once the counter overflows, the content of the counter will also be loaded into R15, that is, the register is written to 0xFF, then the counter is reset to count from zero again.

If the hardware interrupt of PDA function is enabled, (IOCF[2] is equal to “1”), then the program will go to 0x0010 to execute interrupt routine while the content of a pattern counter is loaded into the register.

The correlation between the value of control register and actual sampling rate are as shown below:

RF2	RF1	RF0	Timing Rate	8MHz System Clock (Time(Cnt.))	256kHz RC Mode (Time (Cnt.))
0	0	0	1:1	0.125µs (1), 31.875µs (255)	3.91µs (1), 996.1µs (255)
0	0	1	1:2	0.25µs (1), 63.75µs (255)	7.81µs (1), 1992µs (255)
0	1	0	1:4	0.5µs (1), 127.5µs (255)	15.625µs (1), 3984µs (255)
0	1	1	1:8	1µs (1), 255µs (255)	31.25µs (1), 7969µs (255)
1	0	0	1:16	2µs (1), 510µs (255)	62.5µs (1), 15.938ms (255)
1	0	1	1:32	4µs (1), 1020µs (255)	125µs (1), 31.875ms (255)
1	1	0	1:64	8µs (1), 2040µs (255)	250µs (1), 63.75ms (255)
1	1	1	1:128	16µs (1), 4080µs (255)	500µs (1), 127.5ms (255)

User can write a default value to the High Pattern counter register and Low Pattern counter register. Then set the corresponding interrupt enable bit (IOCF [2, 3]). When the counting value of one “H” pattern is bigger than the default value of R15_ExtraRAM1, a Pattern Detecting interrupt will be generated. Similarly, if the counting value of one “L” pattern is bigger than the default value of R16_ExtraRAM1, a Low Pattern Detecting interrupt will occur. Thus, the EM78M680 is notified and aware that one effective pattern is received from P.92.

6.10 Pulse Width Modulation (PWM)

6.10.1 Function Description

In PWM mode, both of PWM1 (P.92) and PWM2 (P.93) produce plus programmable signal of up to 8 bits resolution.

The PWM Period is defined as $0xFF \times \text{Timer Counter Clock}$. The Timer Counter clock source is controlled by the control register IOCB. For example; if the clock source is 1MHz, then the Period will be 255µs. $\text{Period} = 255 \times (1/\text{Timer Counter Clock})$

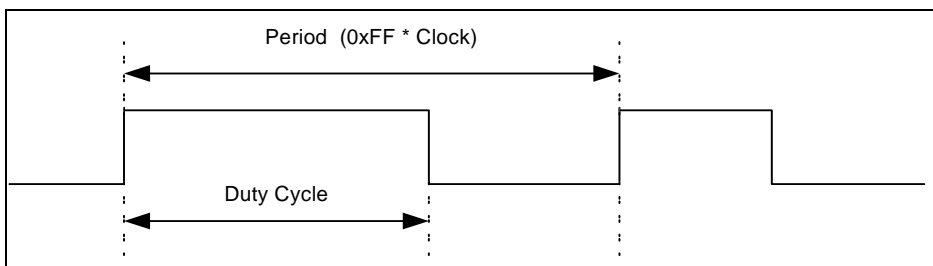


Fig. 7-1 PWM Output Timing Diagram

6.10.2 Duty Cycle

The PWM duty cycle is defined by writing to the R15/R16 Register of ExtraRAM0 for PWM1/ PWM2.

$$\text{Duty Cycle} = (\text{R15 of ExtraRAM0} / 255) \times 100\% \text{ for PWM1}$$

$$(\text{R16 of ExtraRAM0} / 255) \times 100\% \text{ for PWM2}$$

6.10.3 Control Register

6.10.3.1 R15 of Extra RAM0(PWM1 Duty Cycle Register)

A specified value keeps the output of PWM1 to remain at high for a period of time.

6.10.3.2 R16 of Extra RAM0 (PWM2 Duty Cycle Register)

A specified value keeps the output of PWM2 to remain at high for a period of time.

6.10.3.3 IOCB(PWM Control Register) Default Value: (0B_0000_0001)

Bit 7	Bit 6	Bit 5	Bit 4	Bit 3	Bit 2	Bit 1	Bit 0
PW2_E	PW1_E	-	-	-	PWM_SR2	PWM_SR1	PWM_SR0

IOCB [0~2] PWM Clock Prescaler

Base on MCU frequency (ex : Fosc = 8MHz)

PWM_SR2	PWM_SR1	PWM_SR0	Clock(Hz)	Period / 255
0	0	0	Fosc / 2	0.25μs
0	0	1	Fosc / 4	0.5μs
0	1	0	Fosc / 8	1μs
0	1	1	Fosc / 16	2μs
1	0	0	Fosc / 32	4μs
1	0	1	Fosc / 64	8μs
1	1	0	Fosc / 128	16μs
1	1	1	Fosc / 256	32μs

IOCB [6, 7] PWM1/PWM2 Enable Bit

“0” : Disable

“1” : Enable

6.11 Analog-To-Digital Converter (ADC)

6.11.1 Function Description

The Analog to Digital converter consists of a 5-bit analog multiplexer, one Control Register (R11_ExtraRAM0), and two data registers (R13_ExtraRAM0 ~ R14_ExtraRAM0) for a 10-bit resolution.

The ADC module utilizes successive approximation to convert the unknown analog signal to a digital value. The result is fed to the ADDATA. Input channels are selected by the analog input multiplexer via the ADCR/AD_Sel bits AD0~AD4.

- 10-bit resolution: 0x00-00~0xC0-FF (0b11000000-11111111)
- Start (0x00-00): $0 \text{ Vref} - (1/1024) * \text{Vref}$
- Full (0xC0-FF): $(1023/1024) * \text{Vref} - \text{Vref}$
- Conversion Time: 12 clock time of internal clock source

6.11.2 Control Register

6.11.2.1 R11 (AD Channel Select Register) Default Value: (0B_0001_1111)

Bit 7	Bit 6	Bit 5	Bit 4	Bit 3	Bit 2	Bit 1	Bit 0
AD_start	AD_R1	AD_R0	AD4	AD3	AD2	AD1	AD0

R11 [0~4]: AD Channel Selector

AD4	AD3	AD2	AD1	AD0	Channel	I/O Port
0	0	0	0	0	0	P50
0	0	0	0	1	1	P51
0	0	0	1	0	2	P52
0	0	0	1	1	3	P53
0	0	1	0	0	4	P54
0	0	1	0	1	5	P55
0	0	1	1	0	6	P56
0	0	1	1	1	7	P57
0	1	0	0	0	8	P80
0	1	0	0	1	9	P81
0	1	0	1	0	10	P82
0	1	0	1	1	11	P83
0	1	1	0	0	12	P84
0	1	1	0	1	13	P85
0	1	1	1	0	14	P86
0	1	1	1	1	15	P87
1	0	0	0	0	16	P60
1	0	0	0	1	17	P61
1	0	0	1	0	18	P62
1	0	0	1	1	19	P63
1	0	1	0	0	20	P64
1	0	1	0	1	21	P65
1	0	1	1	0	22	P66
1	0	1	1	1	23	P67

R11 [5 6]:The Clock Source of AD Converting.

00 : 256kHz

01 : 128kHz

10 : 64kHz

11 : 32kHz

R11 [7] AD Converter Start Flag

0 → 1 : Start AD Conversion (set by firmware)

1 → 0 : When AD finishes converting and has moved the digital data into the AD Data Register, this bit will be reset by hardware.

NOTE

Hardware can enable this function only at AD Channel Selector of the functional I/O port. After Power-on reset, the initial value of this register is 0b0001 1111.

6.11.2.2 R13 (AD LSB Data Register) Default Value: (0B_0000_0000)

Bit 7	Bit 6	Bit 5	Bit 4	Bit 3	Bit 2	Bit 1	Bit 0
Bit 1	Bit 0	0	0	0	0	0	0

AD Digital Data LSB 2 bits

6.11.2.3 R14 (AD MSB Data Register) Default Value: (0B_0000_0000)

Bit 7	Bit 6	Bit 5	Bit 4	Bit 3	Bit 2	Bit 1	Bit 0
Bit 9	Bit 8	Bit 7	Bit 6	Bit 5	Bit 4	Bit 3	Bit 2

AD Digital Data MSB 8 bits

7 Absolute Maximum Ratings

Items	Min	Max	Unit
Temperature under bias	0	70	°C
Storage temperature	-65	150	°C
Input voltage	-0.5	6.0	V
Output voltage	-0.5	6.0	V

8 DC Electrical Characteristic

Ta=25°C, VDD=5V, VSS=0V

Symbol	Parameter	Condition	Min	Typ	Max	Unit
VDD	Operating voltage	–	4.4	5.0	5.25	V
IIL	Input Leakage Current	VIN = VDD, VSS	–	–	±1	μA
VIH	Input High Voltage	–	2.0	–	–	V
VIL	Input Low Voltage	–	–	–	0.8	V
VIHX	Clock Input High Voltage	OSCI	2.5	–	–	V
VILX	Clock Input Low Voltage	OSCI	–	–	1.0	V
VOH1	Output High Voltage (P70~P72, P76~P77)	IOH = 7.0mA VDD = 5 V	2.4	–	–	V
VOH2	Output High Voltage (Ports 5, 6, 8, P90~P93, P95~P96)	IOH = 7.0mA Vreg = 3.3 V	2.4	–	–	V
VOL1	Output Low Voltage (P70~P72, P76~77)	IOL = -8.0mA VDD = 5 V	–	–	0.4	V
VOL2	Output Low Voltage (P70~P72 : LED drive mode)	IOL = -8.0mA VDD = 5 V	–	–	3.0	V
VOL3	Output Low Voltage (Ports 5,6,8, P90~P93, P95~P96)	IOL = -8.0mA Vreg = 3.3 V	–	–	0.4	V
IPH1	Pull-high current (Ports 5, 6, 7, 8, P90~P93, P95~P96)	Pull-high active, input pin at VSS Vreg=3.3V	-20%	132	+20%	μA
IPH2	Pull-high current (P70~P72, P76~77)	Pull-high active, input pin at VSS VDD = 5 V	-20%	132	+20%	μA
IPH3	Pull-high current (USB D+)	Pull-high active, input pin at VSS Vreg=3.3V	–	2.2	–	mA
ICC1	Operating supply current Normal operation	Fosc= 8MHz , no GPIO loading	–	–	10	mA
ICC2	Operating supply current Sleep mode	All input and I/O pin at VDD, output pin floating, WDT disabled	–	–	100	μA
ICC3	Operating supply current Dual clock mode – 256kHz	All input and I/O pin at VDD, output pin floating, WDT disabled	–	–	250	μA



Vreg	Output voltage of 3.3V regulator	VDD = 4.4V ~ 5.25V	3.0	3.3	3.6	V
------	----------------------------------	--------------------	-----	-----	-----	---

PRELIMINARY



APPENDIX

A Special Register Map

Address	Name	Reset Type	Bit 7	Bit 6	Bit 5	Bit 4	Bit 3	Bit 2	Bit 1	Bit 0
N/A	IOC5	Bit Name	C57	C56	C55	C54	C53	C52	C51	C50
		Power-On	1	1	1	1	1	1	1	1
		/RESET and WDT	1	1	1	1	1	1	1	1
		Wake-Up from Pin Change	P	P	P	P	P	P	P	P
N/A	IOC6	Bit Name	C67	C66	C65	C64	C63	C62	C61	C60
		Power-On	1	1	1	1	1	1	1	1
		/RESET and WDT	1	1	1	1	1	1	1	1
		Wake-Up from Pin Change	P	P	P	P	P	P	P	P
N/A	IOC7	Bit Name	C77	C76	-	-	-	C72	C71	C70
		Power-On	1	1	1	1	1	1	1	1
		/RESET and WDT	1	1	1	1	1	1	1	1
		Wake-Up from Pin Change	P	P	P	P	P	P	P	P
N/A	IOC8	Bit Name	C87	C86	C85	C84	C83	C82	C81	C80
		Power-On	1	1	1	1	1	1	1	1
		/RESET and WDT	1	1	1	1	1	1	1	1
		Wake-Up from Pin Change	P	P	P	P	P	P	P	P
N/A	IOC9	Bit Name	C97	C96	C95	C94	C93	C92	C91	C90
		Power-On	1	1	1	1	1	1	1	1
		/RESET and WDT	1	1	1	1	1	1	1	1
		Wake-Up from Pin Change	P	P	P	P	P	P	P	P
0x0A	IOCA (RFCNT)	Bit Name	-	-	RF2	RF1	RF0	RF_DB2	RF_DB1	RF_DB0
		Power-On	0	0	0	0	0	0	0	0
		/RESET and WDT	0	0	0	0	0	0	0	0
		Wake-Up from Pin Change	P	P	P	P	P	P	P	P
0x0B	IOCB (PWM_CNT)	Bit Name	PW2_E	PW1_E	-	-	-	PWM_2	PWM_1	PWM_0
		Power-On	0	0	0	0	0	0	0	0
		/RESET and WDT	0	0	0	0	0	0	0	0
		Wake-Up from Pin Change	P	P	P	P	P	P	P	P

Address	Name	Reset Type	Bit 7	Bit 6	Bit 5	Bit 4	Bit 3	Bit 2	Bit 1	Bit 0
0x0C	IOCC (Do not use)	Bit Name	GPB	GPB	GPB	GPB	GPB	-	-	-
		Power-On	0	0	0	0	0	0	0	0
		/RESET and WDT	0	0	0	0	0	0	0	0
		Wake-Up from Pin Change	P	P	P	P	P	P	P	P
0x0D	IOCD (P9_PH)	Bit Name	-	/PH96	/PH95	-	/PH93	/PH92	/PH91	/PH90
		Power-On	1	1	1	1	1	1	1	1
		/RESET and WDT	1	1	1	1	1	1	1	1
		Wake-Up from Pin Change	P	P	P	P	P	P	P	P
0x0E	IOCE (MCU Cnt)	Bit Name	S7	/WUE	WTE	SLPC	-	/PU8	/PU6	/PU5
		Power-On	1	1	0	1	U	1	1	1
		/RESET and WDT	1	1	0	1	U	1	1	1
		Wake-Up from Pin Change	P	P	P	1	U	P	P	P
0x0F	IOCF	Bit Name	OUTEP	P7IE	--	ResulE	RF2IE	RF1IE	USBIE	TCIE
		Power-On	0	0	0	0	0	0	0	0
		/RESET and WDT	0	0	0	0	0	0	0	0
		Wake-Up from Pin Change	P	P	P	P	P	P	P	P
N/A	CONT	Bit Name	-	INT	TSR2	TSR1	TSR0	PSR2	PSR1	PSR0
		Power-On	U	0	1	1	1	1	1	1
		/RESET and WDT	U	P	1	1	1	1	1	1
		Wake-Up from Pin Change	U	P	P	P	P	P	P	P
0x00	R0(IAR)	Bit Name	-	-	-	-	-	-	-	-
		Power-On	U	U	U	U	U	U	U	U
		/RESET and WDT	P	P	P	P	P	P	P	P
		Wake-Up from Pin Change	P	P	P	P	P	P	P	P
0x01	R1(TCC)	Bit Name	-	-	-	-	-	-	-	-
		Power-On	0	0	0	0	0	0	0	0
		/RESET and WDT	0	0	0	0	0	0	0	0
		Wake-Up from Pin Change	P	P	P	P	P	P	P	P
0x02	R2(PC)	Bit Name	-	-	-	-	-	-	-	-
		Power-On	0	0	0	0	0	0	0	0
		/RESET and WDT	0	0	0	0	0	0	0	0



Address	Name	Reset Type	Bit 7	Bit 6	Bit 5	Bit 4	Bit 3	Bit 2	Bit 1	Bit 0
		Wake-Up from Pin Change	**P	**P	**P	**P	**P	**P	**P	**P
0x03	R3 (SR)	Bit Name	PS2	PS1	PS0	T	P	Z	DC	C
		Power-On	0	0	0	t	t	U	U	U
		/RESET and WDT	0	0	0	t	t	P	P	P
		Wake-Up from Pin Change	P	P	P	t	t	P	P	P
0x04	R4 (RSR)	Bit Name	RSR.1	RSR.0	-	-	-	-	-	-
		Power-On	0	0	U	U	U	U	U	U
		/RESET and WDT	0	0	P	P	P	P	P	P
		Wake-Up from Pin Change	P	P	P	P	P	P	P	P
0x05	R5 (P5)	Bit Name	P57	P56	P55	P54	P53	P52	P51	P50
		Power-On	U	U	U	U	U	U	U	U
		/RESET and WDT	P	P	P	P	P	P	P	P
		Wake-Up from Pin Change	P	P	P	P	P	P	P	P
0x06	R6 (P6)	Bit Name	P67	P66	P65	P64	P63	P62	P61	P60
		Power-On	U	U	U	U	U	U	U	U
		/RESET and WDT	P	P	P	P	P	P	P	P
		Wake-Up from Pin Change	P	P	P	P	P	P	P	P
0x07	R7 (P7)	Bit Name	P77	P76	-	-	-	P72	P71	P70
		Power-On	U	U	U	U	U	U	U	U
		/RESET and WDT	P	P	P	P	P	P	P	P
		Wake-Up from Pin Change	P	P	P	P	P	P	P	P
0x08	R8 (P8)	Bit Name	P87	P86	P85	P84	P83	P82	P81	P80
		Power-On	U	U	U	U	U	U	U	U
		/RESET and WDT	P	P	P	P	P	P	P	P
		Wake-Up from Pin Change	P	P	P	P	P	P	P	P
0x09	R9 (P9)	Bit Name	P97	P96	P95	P94	P93	P92	P91	P90
		Power-On	U	U	U	U	U	U	U	U
		/RESET and WDT	P	P	P	P	P	P	P	P
		Wake-Up from Pin Change	P	P	P	P	P	P	P	P
0x0A	RA(USBES)	Bit Name	Ext_R	Remote	EP0_W	EP0_R	D_Resu	UDC_Su	UDC_w	STALL
		Power-On	0	0	0	0	0	0	0	0
		/RESET and WDT	0	0	0	0	0	0	0	0

Address	Name	Reset Type	Bit 7	Bit 6	Bit 5	Bit 4	Bit 3	Bit 2	Bit 1	Bit 0
		Wake-Up from Pin Change	P	P	P	P	P	P	P	P
0x0B	GPR	Bit Name	GPB	GPB	GPB	GPB	GPB	GPB	GPB	GPB
		Power-On	U	U	U	U	U	U	U	U
		/RESET and WDT	P	P	P	P	P	P	P	P
		Wake-Up from Pin Change	P	P	P	P	P	P	P	P
0x0C	RC (FIFO_Index)	Bit Name	Index7	Index6	Index5	Index4	Index3	Index2	Index1	Index0
		Power-On	0	0	0	0	0	0	0	0
		/RESET and WDT	0	0	0	0	0	0	0	0
		Wake-Up from Pin Change	P	P	P	P	P	P	P	P
0x0D	RD (FIFO_Data)	Bit Name	FIFO7	FIFO6	FIFO5	FIFO4	FIFO3	FIFO2	FIFO1	FIFO0
		Power-On	0	0	0	0	0	0	0	0
		/RESET and WDT	0	0	0	0	0	0	0	0
		Wake-Up from Pin Change	P	P	P	P	P	P	P	P
0x0E	RE (ISR0)	Bit Name	P77_IF	P76_IF	-	-	RF2_H	RF2_L	RF1_H	RF1_L
		Power-On	0	0	0	0	0	0	0	0
		/RESET and WDT	0	0	0	0	0	0	0	0
		Wake-Up from Pin Change	P	P	P	P	P	P	P	P
0x0F	RF (ISR0)	Bit Name	Out_EP	GPB	GPB	ResumIF	USBres	Suspend	EP0_IF	TCCIF
		Power-On	0	U	U	0	0	0	0	0
		/RESET and WDT	0	P	P	0	0	0	0	0
		Wake-Up from Pin Change	P	P	P	P	P	P	P	P
0x10	R10 (USBEP stat)	Bit Name	GPB	GPB	GPB	EP5_ST	EP4_ST	EP3_ST	EP2_ST	EP1_ST
		Power-On	U	U	U	0	0	0	0	0
		/RESET and WDT	P	P	P	0	0	0	0	0
		Wake-Up from Pin Change	P	P	P	P	P	P	P	P
0x11	R11 (AD/Control)	Bit Name	ADstart	AD_R1	AD_R0	AD4	AD3	AD2	AD1	AD0
		Power-On	0	0	0	1	1	1	1	1
		/RESET and WDT	0	0	0	1	1	1	1	1
		Wake-Up from Pin Change	P	P	P	P	P	P	P	P
0x12	R12 (Dual)	Bit Name	GPB	USB_To	Low_F1	Low_F0	/LowFre	GPB	GPB	GPB
		Power-On	U	U	0	0	1	U	U	U
		/RESET and WDT	P	U	0	0	1	P	P	P

Address	Name	Reset Type	Bit 7	Bit 6	Bit 5	Bit 4	Bit 3	Bit 2	Bit 1	Bit 0
		Wake-Up from Pin Change	P	P	P	P	P	P	P	P
0x13	R13 (ADLoData)	Bit Name	ADD1	ADD0	-	-	-	-	-	-
		Power-On	0	0	0	0	0	0	0	0
		/RESET and WDT	0	0	0	0	0	0	0	0
		Wake-Up from Pin Change	P	P	P	P	P	P	P	P
0x14	R14 (ADHiData)	Bit Name	ADD9	ADD8	ADD7	ADD6	ADD5	ADD4	ADD3	ADD2
		Power-On	0	0	0	0	0	0	0	0
		/RESET and WDT	0	0	0	0	0	0	0	0
		Wake-Up from Pin Change	P	P	P	P	P	P	P	P
0x15	R15 (PWM1_T)	Bit Name	PWM17	PWM16	PWM15	PWM14	PWM13	PWM12	PWM11	PWM10
		Power-On	0	0	0	0	0	0	0	0
		/RESET and WDT	0	0	0	0	0	0	0	0
		Wake-Up from Pin Change	P	P	P	P	P	P	P	P
0x16	R16 (PWM2_T)	Bit Name	PWM27	PWM26	PWM25	PWM24	PWM23	PWM22	PWM21	PWM20
		Power-On	0	0	0	0	0	0	0	0
		/RESET and WDT	0	0	0	0	0	0	0	0
		Wake-Up from Pin Change	P	P	P	P	P	P	P	P
0x17	R17 (EECNT)	Bit Name	GPB	EE_Act	EE_rest	EEA4	EEA3	EE_OK	EE_C1	EE_C0
		Power-On	U	0	0	0	0	1	1	1
		/RESET and WDT	P	0	0	0	0	0	1	1
		Wake-Up from Pin Change	P	P	P	P	P	P	P	P
0x18~0x3F	GPR	Bit Name	-	-	-	-	-	-	-	-
		Power-On	U	U	U	U	U	U	U	U
		/RESET and WDT	P	P	P	P	P	P	P	P
		Wake-Up from Pin Change	P	P	P	P	P	P	P	P
0x10	R10 (Do not use)	Bit Name	--	--	--	--	--	--	--	--
		Power-On	1	1	1	1	1	1	1	1
		/RESET and WDT	1	1	1	1	1	1	1	1
		Wake-Up from Pin Change	P	P	P	P	P	P	P	P
0x11	R11 (Do not use)	Bit Name	GPB	--	--	--	--	GPB	GPB	GPB
		Power-On	U	0	0	0	0	U	U	U
		/RESET and WDT	P	P	P	P	P	P	P	P



Address	Name	Reset Type	Bit 7	Bit 6	Bit 5	Bit 4	Bit 3	Bit 2	Bit 1	Bit 0
		Wake-Up from Pin Change	P	P	P	P	P	P	P	P

PRELIMINARY



Address	Name	Reset Type	Bit 7	Bit 6	Bit 5	Bit 4	Bit 3	Bit 2	Bit 1	Bit 0
0x12	R12 (Do not use)	Bit Name	-	-	--	--	--	--	--	--
		Power-On	0	0	0	U	0	0	U	0
		/RESET and WDT	0	0	0	P	0	0	P	0
		Wake-Up from Pin Change	P	P	P	P	P	P	P	P
0x13	R13 (Do not use)	Bit Name	--	--	--	--	GPB	--	--	--
		Power-On	0	0	0	0	U	0	0	0
		/RESET and WDT	0	0	0	0	P	0	0	0
		Wake-Up from Pin Change	P	P	P	P	P	P	P	P
0x14	R14 (Do not use)	Bit Name	--	--	--	--	--	--	--	--
		Power-On	0	0	0	0	0	0	0	0
		/RESET and WDT	0	0	0	0	0	0	0	0
		Wake-Up from Pin Change	P	P	P	P	P	P	P	P
0x15	R15 (SE1_LOW)	Bit Name	SE1_L7	SE1_L6	SE1_L5	SE1_L4	SE1_L3	SE1_L2	SE1_L1	SE1_L0
		Power-On	0	0	0	0	0	0	0	0
		/RESET and WDT	0	0	0	0	0	0	0	0
		Wake-Up from Pin Change	P	P	P	P	P	P	P	P
0x16	R16 (SE1_HIGH)	Bit Name	SE1_H7	SE1_H6	SE1_H5	SE1_H4	SE1_H3	SE1_H2	SE1_H1	SE1_H0
		Power-On	0	0	0	0	0	0	0	0
		/RESET and WDT	0	0	0	0	0	0	0	0
		Wake-Up from Pin Change	P	P	P	P	P	P	P	P
0x17	R17 (SE2_LOW)	Bit Name	SE2_L7	SE2_L6	SE2_L5	SE2_L4	SE2_L3	SE2_L2	SE2_L1	SE2_L0
		Power-On	0	0	0	0	0	0	0	0
		/RESET and WDT	0	0	0	0	0	0	0	0
		Wake-Up from Pin Change	P	P	P	P	P	P	P	P
0x18	R18 (SE2_HIGH)	Bit Name	SE2_H7	SE2_H6	SE2_H5	SE2_H4	SE2_H3	SE2_H2	SE2_H1	SE2_H0
		Power-On	0	0	0	0	0	0	0	0
		/RESET and WDT	0	0	0	0	0	0	0	0
		Wake-Up from Pin Change	P	P	P	P	P	P	P	P
0x19~0x3F	GPR	Bit Name	-	-	-	-	-	-	-	-
		Power-On	U	U	U	U	U	U	U	U
		/RESET and WDT	P	P	P	P	P	P	P	P
		Wake-Up from Pin Change	P	P	P	P	P	P	P	P

** Execute the next instruction after the "SLPC" bit status of IOCE register has been on high-to-low transition.

X: Not for use. U: Unknown or don't care. P: Previous value before reset.

B Instruction Set

Each instruction in the instruction set is a 13-bit word divided into an OP code and one or more operands. All instructions are executed within one single instruction cycle (consisting of 2 oscillator periods), unless the program counter is changed by-

- (a) Executing the instruction "MOV R2,A", "ADD R2,A", "TBL", or any other instructions that write to R2 (e.g. "SUB R2,A", "BS R2,6", "CLR R2", ...).
- (b) Execute CALL, RET, RETI, RETL, JMP, Conditional skip (JBS, JBC, JZ, JZA, DJZ, DJZA) which were tested to be true.

Under these cases, the execution takes two instruction cycles.

In addition, the instruction set has the following features:

- (1). Every bit of any register can be set, cleared, or tested directly.
- (2). The I/O register can be regarded as general register. That is, the same instruction can operate on I/O register.

Legend:

R = Register designator that specifies which one of the 64 registers (including operation and general purpose registers) is to be utilized by the instruction.

Bits 6 and 7 in R4 determine the selected register bank.

b = Bit field designator that selects the value for the bit located in the register R and which affects the operation.

k = 8 or 10-bit constant or literal value

Binary Instruction	Hex	Mnemonic	Operation	Status Affected
0 0000 0000 0000	0000	NOP	No Operation	None
0 0000 0000 0001	0001	DAA	Decimal Adjust A	C
0 0000 0000 0010	0002	CONTW	A → CONT	None
0 0000 0000 0011	0003	SLEP	0 → WDT, Stop oscillator	T, P
0 0000 0000 0100	0004	WDTC	0 → WDT	T, P
0 0000 0000 rrrr	000r	IOW R	A → IOCR	None <Note ¹ >
0 0000 0001 0000	0010	ENI	Enable Interrupt	None
0 0000 0001 0001	0011	DISI	Disable Interrupt	None
0 0000 0001 0010	0012	RET	[Top of Stack] → PC	None
0 0000 0001 0011	0013	RETI	[Top of Stack] → PC, Enable Interrupt	None
0 0000 0001 0100	0014	CONTR	CONT → A	None
0 0000 0001 rrrr	001r	IOR R	IOCR → A	None <Note ¹ >
0 0000 0010 0000	0020	TBL	R2+A → R2, Bits 8~9 of R2 unchanged	Z, C, DC
0 0000 01rr rrrr	00rr	MOV R,A	A → R	None
0 0000 1000 0000	0080	CLRA	0 → A	Z
0 0000 11rr rrrr	00rr	CLR R	0 → R	Z

Binary Instruction	Hex	Mnemonic	Operation	Status Affected
0 0001 00rr rrrr	01rr	SUB A,R	$R-A \rightarrow A$	Z, C, DC
0 0001 01rr rrrr	01rr	SUB R,A	$R-A \rightarrow R$	Z, C, DC
0 0001 10rr rrrr	01rr	DECA R	$R-1 \rightarrow A$	Z
0 0001 11rr rrrr	01rr	DEC R	$R-1 \rightarrow R$	Z
0 0010 00rr rrrr	02rr	OR A,R	$A \vee VR \rightarrow A$	Z
0 0010 01rr rrrr	02rr	OR R,A	$A \vee VR \rightarrow R$	Z
0 0010 10rr rrrr	02rr	AND A,R	$A \& R \rightarrow A$	Z
0 0010 11rr rrrr	02rr	AND R,A	$A \& R \rightarrow R$	Z
0 0011 00rr rrrr	03rr	XOR A,R	$A \oplus R \rightarrow A$	Z
0 0011 01rr rrrr	03rr	XOR R,A	$A \oplus R \rightarrow R$	Z
0 0011 10rr rrrr	03rr	ADD A,R	$A + R \rightarrow A$	Z, C, DC
0 0011 11rr rrrr	03rr	ADD R,A	$A + R \rightarrow R$	Z, C, DC
0 0100 00rr rrrr	04rr	MOV A,R	$R \rightarrow A$	Z
0 0100 01rr rrrr	04rr	MOV R,R	$R \rightarrow R$	Z
0 0100 10rr rrrr	04rr	COMA R	$/R \rightarrow A$	Z
0 0100 11rr rrrr	04rr	COM R	$/R \rightarrow R$	Z
0 0101 00rr rrrr	05rr	INCA R	$R+1 \rightarrow A$	Z
0 0101 01rr rrrr	05rr	INC R	$R+1 \rightarrow R$	Z
0 0101 10rr rrrr	05rr	DJZA R	$R-1 \rightarrow A$, skip if zero	None
0 0101 11rr rrrr	05rr	DJZ R	$R-1 \rightarrow R$, skip if zero	None
0 0110 00rr rrrr	06rr	RRCA R	$R(n) \rightarrow A(n-1)$, $R(0) \rightarrow C$, $C \rightarrow A(7)$	C
0 0110 01rr rrrr	06rr	RRC R	$R(n) \rightarrow R(n-1)$, $R(0) \rightarrow C$, $C \rightarrow R(7)$	C
0 0110 10rr rrrr	06rr	RLCA R	$R(n) \rightarrow A(n+1)$, $R(7) \rightarrow C$, $C \rightarrow A(0)$	C
0 0110 11rr rrrr	06rr	RLC R	$R(n) \rightarrow R(n+1)$, $R(7) \rightarrow C$, $C \rightarrow R(0)$	C
0 0111 00rr rrrr	07rr	SWAPA R	$R(0-3) \rightarrow A(4-7)$, $R(4-7) \rightarrow A(0-3)$	None
0 0111 01rr rrrr	07rr	SWAP R	$R(0-3) \leftrightarrow R(4-7)$	None
0 0111 10rr rrrr	07rr	JZA R	$R+1 \rightarrow A$, skip if zero	None
0 0111 11rr rrrr	07rr	JZ R	$R+1 \rightarrow R$, skip if zero	None
0 100b brrr rrrr	0xxx	BC R,b	$0 \rightarrow R(b)$	None <Note ² >
0 101b brrr rrrr	0xxx	BS R,b	$1 \rightarrow R(b)$	None
0 110b brrr rrrr	0xxx	JBC R,b	if $R(b)=0$, skip	None
0 111b brrr rrrr	0xxx	JBS R,b	if $R(b)=1$, skip	None
1 00kk kkkk kkkk	1kkk	CALL k	$PC+1 \rightarrow [SP]$, $(Page, k) \rightarrow PC$	None
1 01kk kkkk kkkk	1kkk	JMP k	$(Page, k) \rightarrow PC$	None
1 1000 kkkk kkkk	18kk	MOV A,k	$k \rightarrow A$	None
1 1001 kkkk kkkk	19kk	OR A,k	$A \vee k \rightarrow A$	Z
1 1010 kkkk kkkk	1Akk	AND A,k	$A \& k \rightarrow A$	Z
1 1011 kkkk kkkk	1Bkk	XOR A,k	$A \oplus k \rightarrow A$	Z
1 1100 kkkk kkkk	1Ckk	RETL k	$k \rightarrow A$, $[Top\ of\ Stack] \rightarrow PC$	None
1 1101 kkkk kkkk	1Dkk	SUB A,k	$k-A \rightarrow A$	Z, C, DC
1 1110 0000 0kkk	1E0k			None

Binary Instruction	Hex	Mnemonic	Operation	Status Affected
1 1111 kkkk kkkk	1Fkk	ADD A,k	k+A → A	Z, C, DC

Note: ¹ This instruction is applicable to IOCx only.

² This instruction is not recommended for RE, RF operation.

PRELIMINARY

C Code Option

Bit 0	Bit 1	Bit 2	Bit 3	Bit 4	Bit 5	Bit 6	Bit 7	Bit 8	Bit 9	Bit 10
/Protect	USB	/D+ resistor	OST0	OST1	FRQ0	FRQ1	PKG0	PKG1	Reversed	/AD hold

Bit 11	Bit 12	Bit 13~15	Bit 16~17	Bit 18	Bit 19~20	Bit 22~22	Bit 23
Reserved	Reserved	EPX_SEL	EP1 Type	EP1 Direction	EP1 Max Size	EP2 Type	EP2 Direction

Bit 24~25	Bit 26~27	Bit 28	Bit 29~30	Bit 31~32	Bit 33	Bit 34~35
EP2 Max Size	EP3 Type	EP3 Direction	EP3 Max Size	EP4 Type	EP4 Direction	EP4 Max Size

Bit 36~37	Bit 38	Bit 39~40	Bit 41~42	Bit 43~59	Bit 60~63
EP5 Type	EP5 Direction	EP5 Max Size	reserved	USER ID	reserved

Bit 0 (/Protect): Protect bit.

1 : Disable

0 : Enable.

Bit 1 (USB): Operation mode.

1 : USB mode

0 : Non-USB mode. Close UDC & Transceiver function.

Bit 2 (/D+ resistor): D+ Resistor pull-high switch.

1 : Disable internal USB D+ pull-high resistor.

0 : Enable internal USB D+ pull-high resistor.

Bit 4~3 (OST1~OST0): Oscillator start time. WDT time-out time.

00 : 500 μ s

01 : 2 ms

10 : 4 ms

11 : 8 ms

Bit 6~5 (FRQ1~FRQ0): System clock frequency switch.

00 : 8MHz, External Crystal \times 2

01 : 16MHz, External Crystal \times 4

10 : 24MHz, External Crystal \times 6

11 : Not Defined

Bits 8~7 (PKG1~PKG0): Package switch.

00 : 20 pins

01 : 24 pins

10 : 40 pins

11 : 44 pins

Bit 9 (Reverse): set" 0" as default value

Bit 10 (/ADHold): Setting MCU when AD converting

0 : Hold MCU when AD converting.

1 : Keep MCU running when AD converting.

Bit 11 ~ Bit 12 : Reserved

Reserve, Set as "0, 0"

Bits 15 ~ 13 (EPX_SEL2 ~ EPX_SEL0): Endpoint function selection

EPX Status / EPX FIFO Max Size					
EPX_SEL[2 : 0] (USB Mode)	EP1	EP2	EP3	EP4	EP5
000	Enable / 64 bit	Disable / NA	Disable / NA	Disable / NA	Disable / NA
001	Enable / 64 bit	Enable / 64 bit	Disable / NA	Disable / NA	Disable / NA
010	Enable / 64 bit	Enable / 32 bit	Enable / 32 bit	Disable / NA	Disable / NA
011	Enable / 64 bit	Enable / 32 bit	Enable / 16 bit	Enable / 16 bit	Disable / NA
100	Enable / 64 bit	Enable / 32 bit	Enable / 16 bit	Enable / 8 bit	Enable / 8 bit
101	Enable / 64 bit	Enable / 16 bit	Enable / 16 bit	Enable / 16 bit	Enable / 16 bit
110	Enable / 32 bit	Enable / 32 bit	Enable / 32 bit	Enable / 32 bit	Disable / NA
111	Enable / 32 bit	Enable / 32 bit	Enable / 32 bit	Enable / 16 bit	Enable / 16 bit

Bits 16 ~ 40 :

EPx Type :

00 → Not defined

01 → Isochronous mode transfer

10 → Bulk mode transfer

11 → Interrupt mode transfer

EPx Direction :

0 → Output way

1 → Input way



EPx Max Size :

00 → 8 bytes

01 → 16 bytes

10 → 32 bytes

11 → 64 bytes

If EPx Max Size selection is larger than Endpoint function selection, EPX FIFO size will depend on the size of Endpoint function selector (EPX_Sel0~2).

Bits 41 ~ 42 (Reserved): reserved bit

Default : 1

Bits 43~ Bit 59 (USER ID): Define by user.

Bits 60~63 (Reserved): reserved bit

PRELIMINARY

D. Application Circuit:

