

SAVIOR AC AXIAL FAN

SA22060

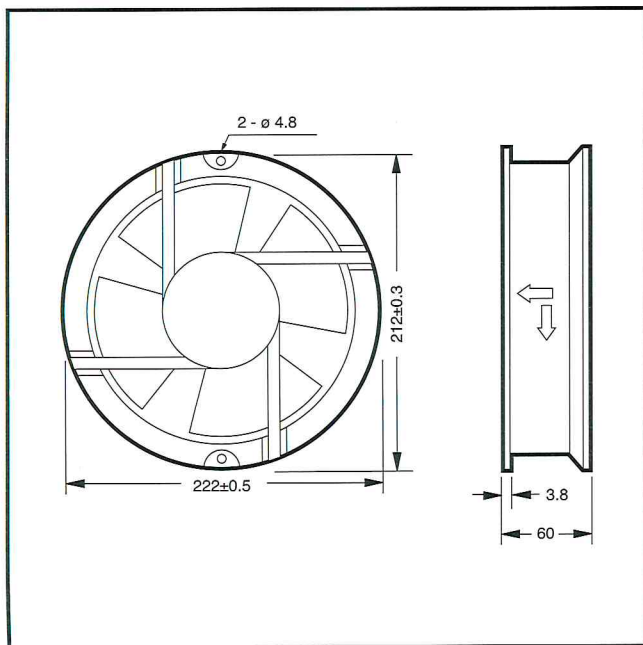
220Ø x60mm



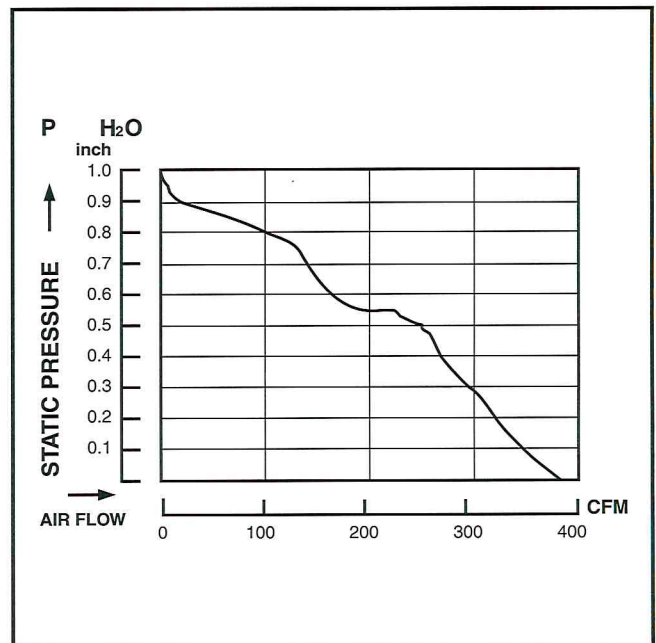
DESIGN FEATURES

- *BEARING SYSTEM: BALL BEARING
- *IMPELLER: PLASTIC WITH FIBER GLASS FILLED UL 94V-0
- *HOUSING: DIE-CAST ALUMINUM PAINTED BLACK OR NATURAL COLOR
- *MOTOR: SHADED POLE, IMPEDANCE PROTECTED
- *CONNECTING: WIRE LEADS

DIMENSIONS:MM



PERFORMANCE



SPECIFICATIONS

Specifications are subject to change without notice

MODEL NO.	VOLT (VAC)	FREQUENCY (HZ)	AIR (CFM)	VOLUME (M ³ /MIN)	CURRENT (A)	POWER (W)	SPEED (RPM)	STATIC PRESSURE (INCH-H ₂ O)	NOISE (dBA)
SA22060H	110/120	50	360	10.20	0.70	52	2400	0.9	56
SA22060H	220/240	50	360	10.20	0.30	44	2400	0.9	56