

# SAVIOR AC AXIAL FAN

## SA08025

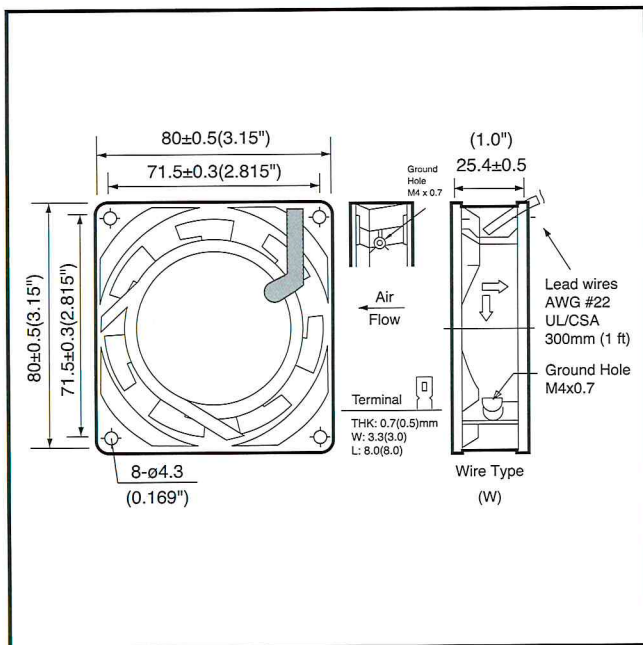
80x80x25.4mm

### DESIGN FEATURES

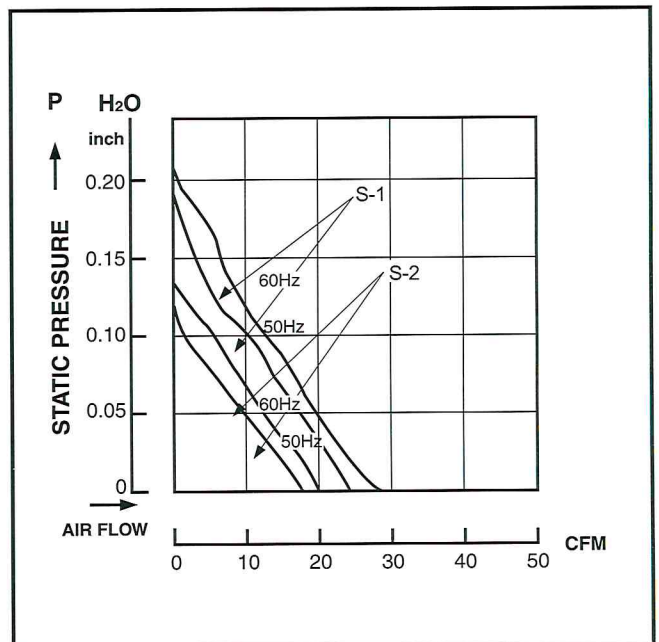
- \*BEARING SYSTEM: SLEEVE BEARING & BALL BEARING
- \*IMPELLER: PLASTIC WITH FIBER GLASS FILLED UL 94V-0
- \*HOUSING: DIE CAST ALUMINUM & ZINC
- \*MOTOR: SHADED POLE, IMPEDANCE PROTECTED
- \*CONNECTING: WIRE LEADS
- \*SPEED: H- HIGH SPEED TYPE  
M-MEDIUM SPEED TYPE
- \*OTHER VOLTAGE: 24 ,48, 100, 380AC (50/60Hz) ARE AVAILABLE



### DIMENSIONS:MM



### PERFORMANCE



### SPECIFICATIONS

Specifications are subject to change without notice

MODEL NO.	VOLT (VAC)	FREQUENCY (HZ)	AIR (CFM)	VOLUME (M <sup>3</sup> /MIN)	CURRENT (A)	POWER (W)	SPEED (RPM)	STATIC PRESSURE (INCH-H <sub>2</sub> O)	NOISE (dBA)
SA08025H	110/120	50/60	21/23	0.60/0.67	0.19/0.17	13/14	2400/2800	0.18/0.21	29/33
SA08025H	220/240	50/60	21/23	0.60/0.67	0.12/0.10	13/14	2400/2800	0.18/0.21	29/33
SA08025M	110/120	50/60	17/18	0.48/0.51	0.11/0.10	11/10	2100/2500	0.13/0.14	25/29
SA08025M	220/240	50/60	17/18	0.48/0.51	0.09/0.08	11/10	2100/2500	0.13/0.14	25/29