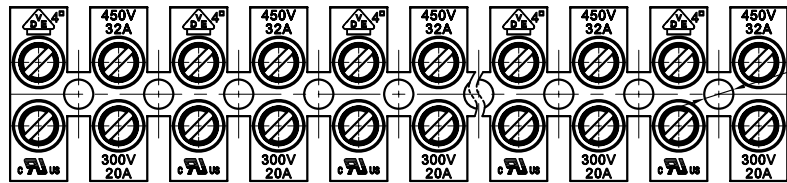


REVISION RECORD				
REV	ECN	DESCRIPTION	DRFT	DATE



φ3.00

NOTES1:

- UL Standard  
 1. Rated Voltage/Current : 300V / 20A  
 2. Torque Value : M2.5 , 3.54Lb.in  
 3. Wire Range : 20~12AWG

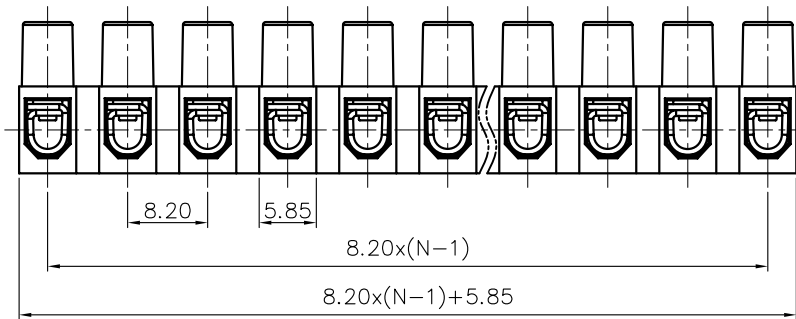
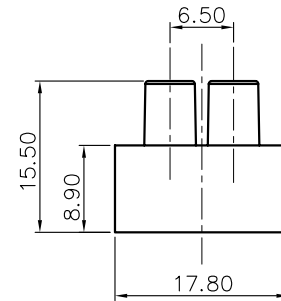
IEC Standard

1. Rated Voltage/Current : 450V / 32A  
 2. Torque Value : M2.5 , 0.4N·m  
 3. Wire Range : 0.5~4.0mm<sup>2</sup>

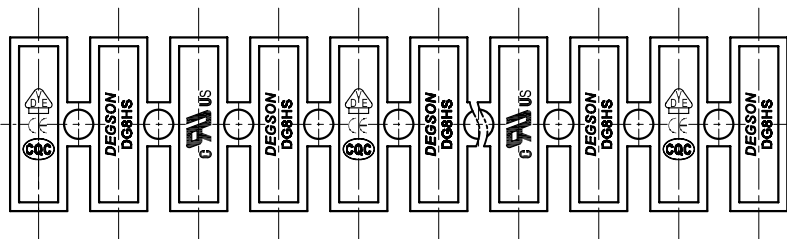
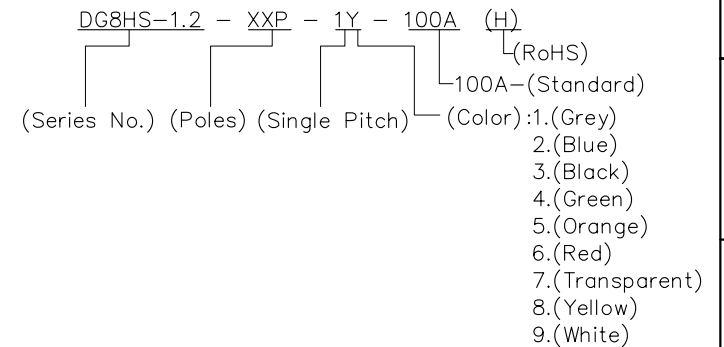
NOTES2:

1. Dimension shall be interpreted per ASME Y14.5-2009  
 2. Pitch : 8.20mm, Poles : N=02~12P  
 3. Stripping length : 8mm  
 4. Withstanding Voltage : AC2000V/1Min.  
 5. Operating temperature: -40°C~+105°C  
 6. Undimensioned Tolerances:

Pitch Range In mm	Nominal Dimension Range In mm						0.1/10		
	Over 6 TO 6	Over 10 TO 10	Over 14 TO 14	Over 30 TO 30	Over 60 TO 60	Over 100 TO 100			
	±0.15	±0.20	±0.30	±0.30	±0.50	±0.70	±1.00	±1.30	±2*



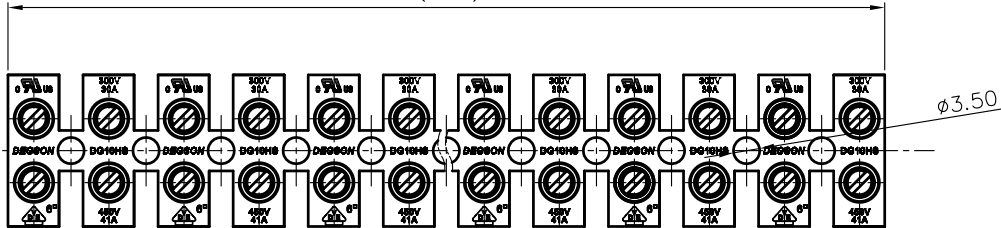
7. RoHS Compliance



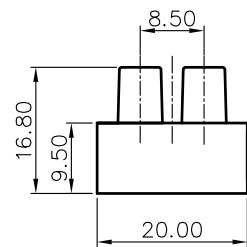
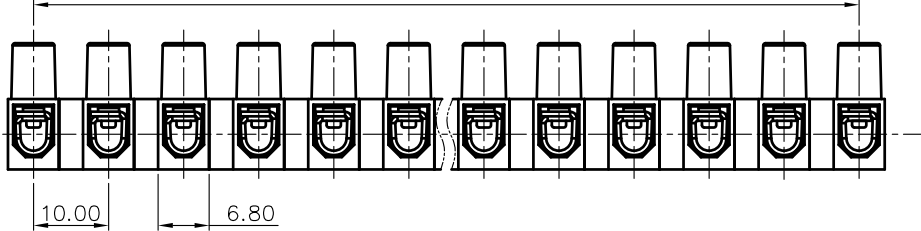
DETACHED LISTS	PART NO.:	/			
	APPD:	/			
	CHKD:	/			
	DRFT:	/			
	<p>THIRD ANGLE PROJECTION</p>		<p>DO NOT SCALE DRAWING</p>		<p>SCALE 1:1</p>
<p>NINGBO DEGSON ELECTRICAL CO., LTD</p>		<p>NAME: DG8HS-1.2-XXP-1Y-100A(H)</p>			
<p>TITLE: CUSTOMER DRAWING</p>		REV	D0		
<p>DRAWING NO.: /</p>		SHEET	1/1		

REVISION RECORD				
REV	ECN	DESCRIPTION	DRFT	DATE

$10.00 \times (N-1) + 6.70$



$10.00 \times (N-1)$

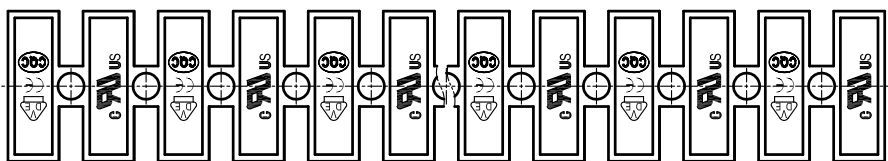
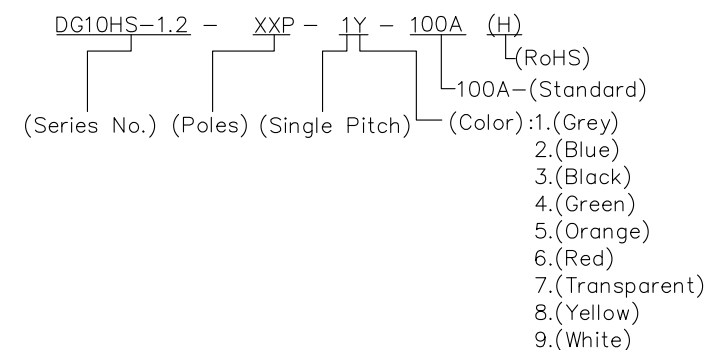


- NOTES1:
- UL Standard
  - 1.Rated Voltage/Current : 300V / 30A
  - 2.Torque Value : M3 , 4.43Lb.in
  - 3.Wire Range : 18~10AWG
- IEC Standard
- 1.Rated Voltage/Current : 450V / 41A
  - 2.Torque Value : M3 , 0.5N·m
  - 3.Wire Range : 1.0~6.0mm<sup>2</sup>

- NOTES2:
- 1.Dimension shall be interpreted per ASME Y14.5-2009
  - 2.Pitch : 10.00mm, Poles : N=02~12P
  - 3.Stripping length : 8mm
  - 4.Withstanding Voltage : AC2000V/1Min.
  - 5.Operating temperature: -40°C~+105°C
  - 6.Undimensioned Tolerances:

Pitch range in mm	Nominal dimension range in mm						0.1/10		
	Over 6 TO 6	Over 10 TO 10	Over 15 TO 15	Over 20 TO 20	Over 25 TO 25	Over 30 TO 30			
	±0.15	±0.20	±0.30	±0.30	±0.50	±0.70	±1.00	±1.30	±2*

7.RoHS Compliance



DETACHED LISTS	PART NO.:	/			
	APPD:	/			
	CHKD:	/			
	DRFT:	/			
	<p>THIRD ANGLE PROJECTION</p>		DRAWING NO.:		/
		MM (INCH)		DO NOT SCALE DRAWING	
		TITLE: CUSTOMER DRAWING		REV	DO
		DRAWING NO.:		SHEET	1/1
		SCALE		1:1	

宁波高松电子有限公司  
NINGBO DEGSON ELECTRICAL CO., LTD

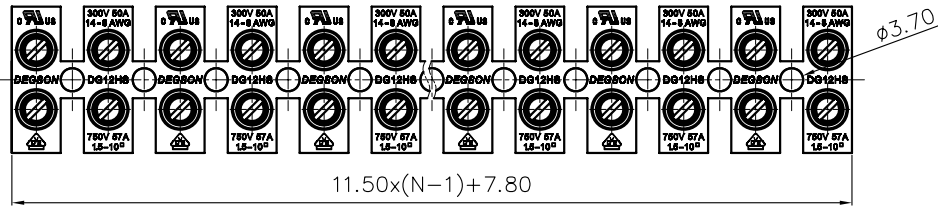
DG10HS-1.2-XXP-1Y-100A(H)

CUSTOMER DRAWING

SHEET 1/1

SCALE 1:1

REVISION RECORD				
REV	ECN	DESCRIPTION	DRFT	DATE



NOTES1:

- UL Standard  
 1. Rated Voltage/Current : 300V / 50A  
 2. Torque Value : M3.5 , 7.02Lb.in  
 3. Wire Range : 14~8AWG

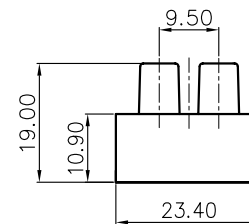
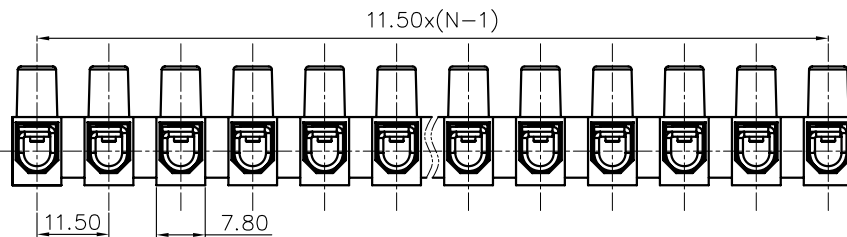
IEC Standard

1. Rated Voltage/Current : 750V / 57A  
 2. Torque Value : M3.5 , 0.8N·m  
 3. Wire Range : 1.5~10mm<sup>2</sup>

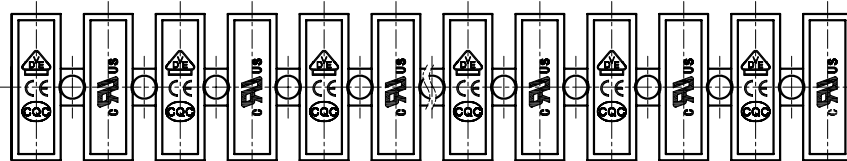
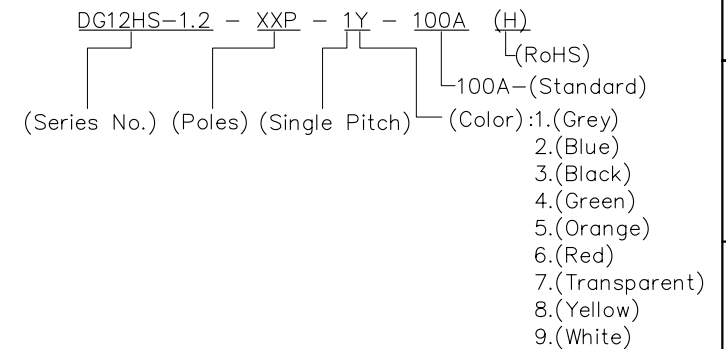
NOTES2:

1. Dimension shall be interpreted per ASME Y14.5-2009  
 2. Pitch : 11.50mm, Poles : N=02~12P  
 3. Stripping length : 8mm  
 4. Withstanding Voltage : AC3000V/1Min.  
 5. Operating temperature: -40°C~+105°C  
 6. Undimensioned Tolerances:

Pitch range in mm		Nominal dimension range in mm				0.1/10	
TO	Over TO	TO	Over TO	TO	Over TO	TO	Over TO
6	10	6	10	30	60	100	150
±0.15	±0.20	±0.30	±0.30	±0.50	±0.70	±1.00	±1.30
							±2°

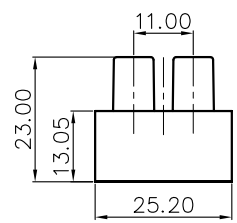
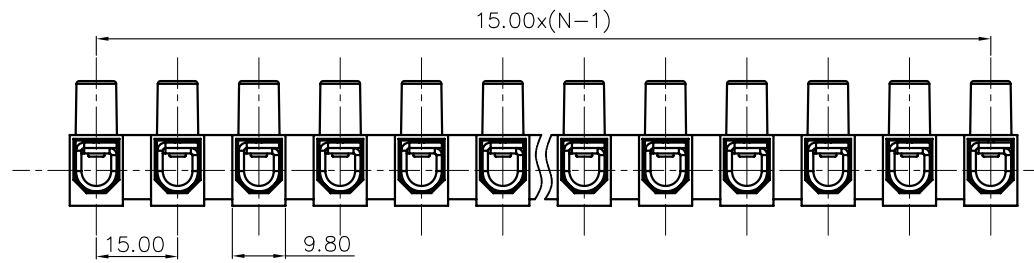
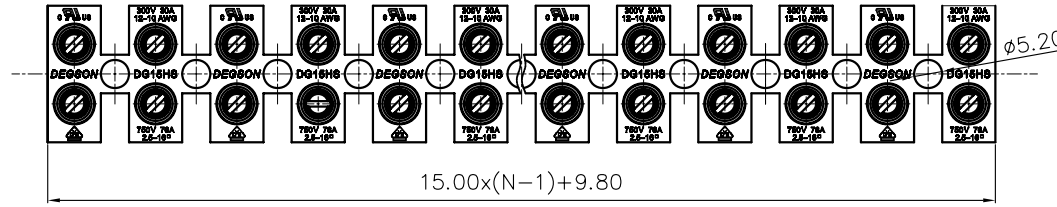


7. RoHS Compliance



DETACHED LISTS	PART NO.:	/			
	APPD:	/			
	CHKD:	/			
	DRFT:	/			
	NAME:	NINGBO DEGSON ELECTRICAL CO., LTD			
	TITLE:	CUSTOMER DRAWING		REV	DO
	DRAWING NO.:	/		SHEET	1/1
	THIRD ANGLE PROJECTION	MM (INCH)	DO NOT SCALE DRAWING	SCALE	1:1

REVISION RECORD				
REV	ECN	DESCRIPTION	DRFT	DATE



- NOTES1:
- UL Standard
  - 1.Rated Voltage/Current : 300V / 30A
  - 2.Torque Value : M4 , 10.53Lb.in
  - 3.Wire Range : 12~10AWG
- IEC Standard
- 1.Rated Voltage/Current : 750V / 76A
  - 2.Torque Value : M4 , 1.2N·m
  - 3.Wire Range : 2.5~16mm<sup>2</sup>

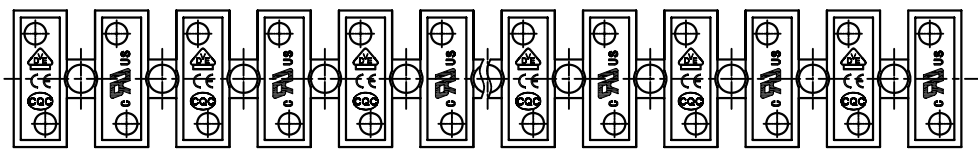
- NOTES2:
- 1.Dimension shall be interpreted per ASME Y14.5-2009
  - 2.Pitch : 15.00mm, Poles : N=02~12P
  - 3.Stripping length : 8mm
  - 4.Withstanding Voltage : AC3000V/1Min.
  - 5.Operating temperature: -40°C~+105°C
  - 6.Undimensioned Tolerances:

Pitch range in mm	Nominal dimension range in mm						0.1/10		
	Over 6 TO 6	Over 10 TO 10	Over 15 TO 15	Over 20 TO 20	Over 25 TO 25	Over 30 TO 30			
	±0.15	±0.20	±0.30	±0.30	±0.50	±0.70	±1.00	±1.30	±2*

7.RoHS Compliance

DG15HS-1.2 - XXP - 1Y - 100A (H)

(Series No.) (Poles) (Single Pitch) (Color): 1.(Grey)  
 2.(Blue)  
 3.(Black)  
 4.(Green)  
 5.(Orange)  
 6.(Red)  
 7.(Transparent)  
 8.(Yellow)  
 9.(White)



DETACHED LISTS	PART NO.:	/			
	APPD:	/			
	CHKD:	/			
	DRFT:	/			
	 THIRD ANGLE PROJECTION		DRAWING NO.:		/
		MM (INCH)		DO NOT SCALE DRAWING	
		TITLE: CUSTOMER DRAWING		REV	DO
		SHEET		1/1	
		SCALE		1:1	

宁波高松电子有限公司  
 NINGBO DEGSON ELECTRICAL CO., LTD

DG15HS-1.2-XXP-1Y-100A(H)