

# SAVIOR DC BRUSHLESS FAN

## SD06010

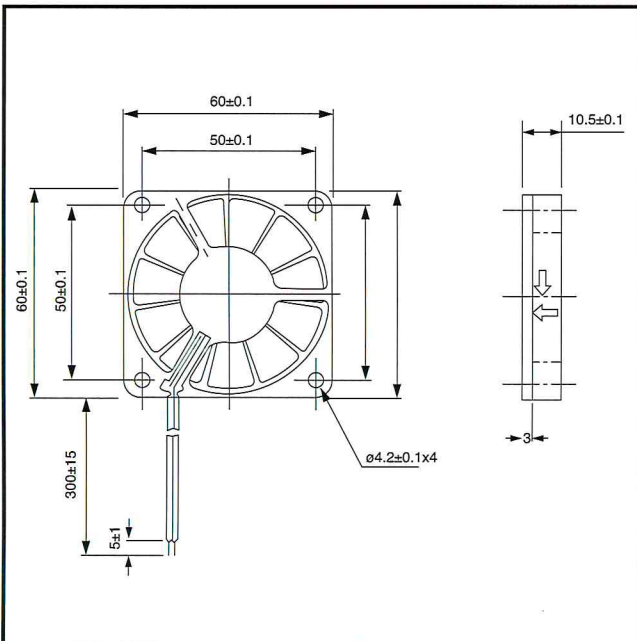
60x60x10mm

### DESIGN FEATURES

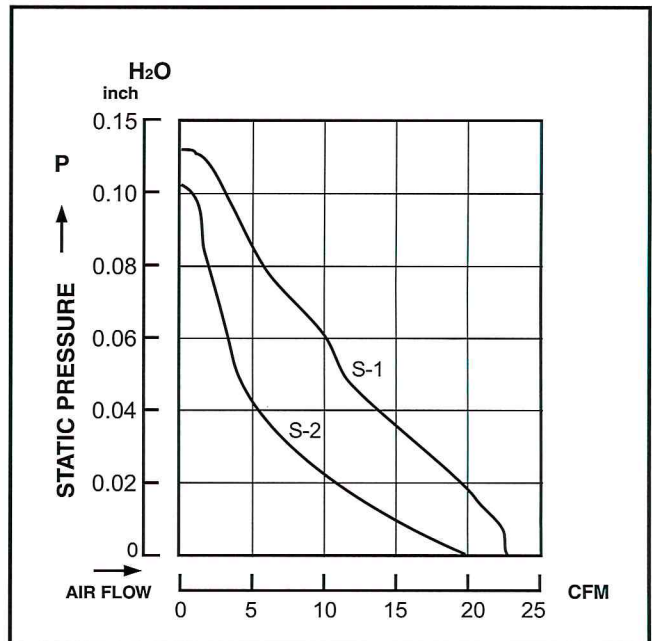
- \***BEARING SYSTEM:** BALL BEARING & SLEEVE BEARING
- \***IMPELLER:** PLASTIC WITH FIBER GLASS FILLED UL 94V-0
- \***HOUSING:** PLASTIC WITH FIBER GLASS FILLED UL 94V-0
- \***MOTOR:** BRUSHLESS DC
- \***CONNECTING:** WIRE LEADS
- \***SPEED:** H-HIGH SPEED TYPE  
M-MEDIUM SPEED TYPE
- \***AVAILABLE FG TYPE FOR SPEED SENSOR SIGNAL**
- \***AVAILABLE RD TYPE FOR ROTOR LOCKED ALARM SIGNAL**



### DIMENSIONS:MM



### PERFORMANCE



### SPECIFICATIONS

Specifications are subject to change without notice

MODEL NO.	VOLTAGE (VDC)	AIR (CFM)	VOLUME (M <sup>3</sup> /MIN)	CURRENT (A)	POWER (W)	SPEED (RPM)	STATIC PRESSURE (INCH-H <sub>2</sub> O)	NOISE (dBA)
SD06010H	12	23.50	0.66	0.21	2.52	4700	0.13	35
SD06010M	12	20.00	0.60	0.16	1.92	4200	0.112	31