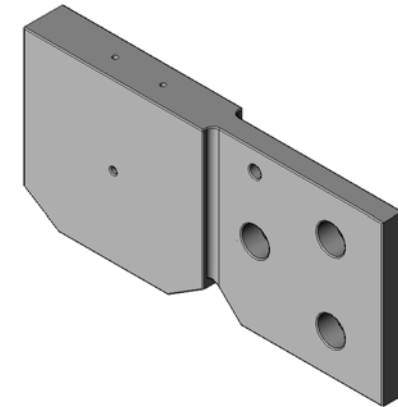
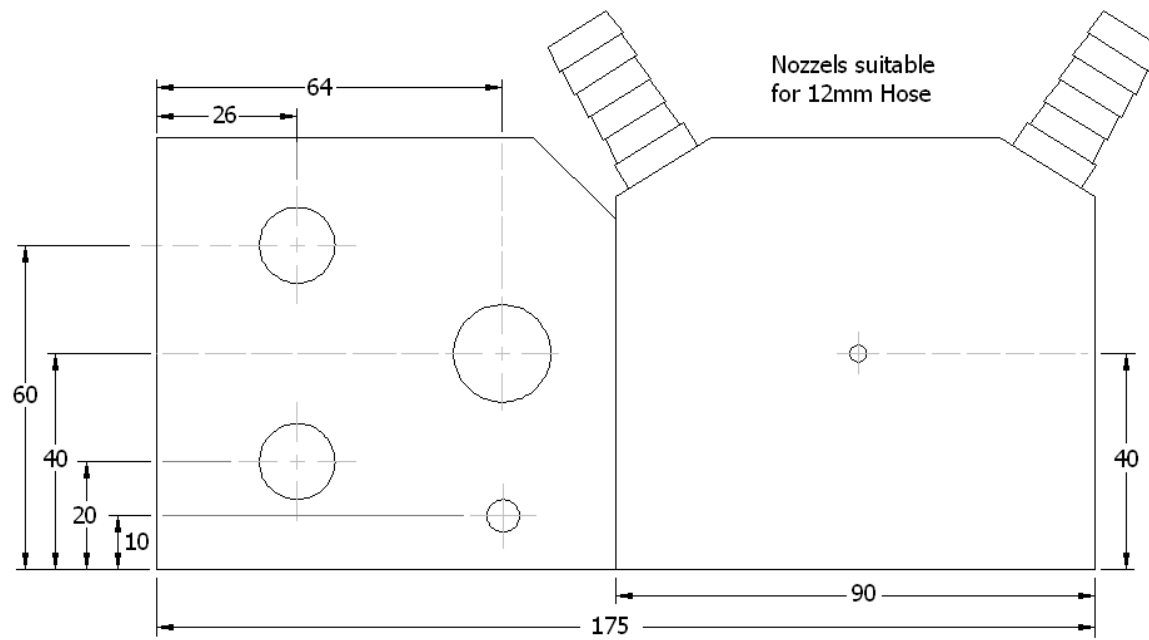


Cooler WCL3 - LKB



Coolers

Part Number	Old Part Number	Weight Kg	Cooler Thickness mm	Busbar Thickness mm	Description	Outline
XW076NC16B	LK	0.612	16	6.4	47mm WC Cu	WCL1
XW076NC16BS	LK					
XW076NC16BT	LK					
XW076NC16C	LK					
XW076NC16CT	LK					
XW076NC16A	LKA	0.418	16	n/a	47mm WC Cu with Busbar + thermostat hole (1/2" Hose)	WCL2
XW076NC16R	WS71.1	0.581	16	6.35	47mm WC Cu reversed with Busbar	WCL12
XW076NC16W	WS71.2	0.4		n/a		WCL13
XW116ZC20B	LKB	1.75	20	10	73mm WC Cu	WCL3
XW116ZC20C	LKD	2.12		10		WCL5
XW116ZC20R	WS72.1	1.672		10		WCL14
XW116ZC20W	WS72.2	1.119		n/a		WCL15
XW116ZC20A	LKC	1.3		n/a		WCL4
XW127EN15A	WS27	0.375	15	n/a	85mm WC Al Nitride	WCL8
XW127EN15B	WS27					
XW127EC25A	n/a	1.65	25	N/A	85mm WC Cu Helix	WCL16
XW127EC25B	n/a	2.2		8	85mm WC Cu with Busbar Helix	WCL17
XW127EA25A	n/a	0.5		N/A	85mm WC Al Helix	WCL16
XW127EA25B	n/a	0.65		8	85mm WC Al with Busbar Helix	WCL17
XW160FC25B	LKE	4.52	25	10	100mm WC Cu	WCL6
XW160FC25A	LKF	3.62		n/a		WCL7
XW180GC34A	WS70	4.92	34	N/A	125mm WC Cu Helix	WCL11
XW180GC34B	n/a	5.95		10	125mm WC Cu with Busbar Helix	WCL10
XW180GA34A	n/a	1.5		N/A	125mm WC Al Helix	WCL11
XW180GA34B	n/a	1.8		10	125mm WC Al with Busbar Helix	WCL10
XW180GN25A	n/a	0.92	25	N/A	125mm WC Al Nitride Helix	WCL18
XW270QA25A	WS65	2.941	25	n/a	270 x 190mm WC Al Cold Plate	WCL9

Cooler Accessories

Part Number	Cooler Accessories
XSNM12H10S	M12 Cooler Connection, 10mm Hose & Stainless Steel material
XSNM12H12S	M12 Cooler Connection, 12mm Hose & Stainless Steel material
XSNM10H15P	M10 Cooler Connection, 15mm Hose & Plastic Material