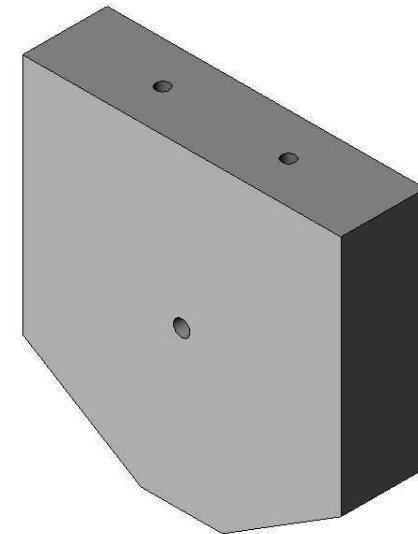
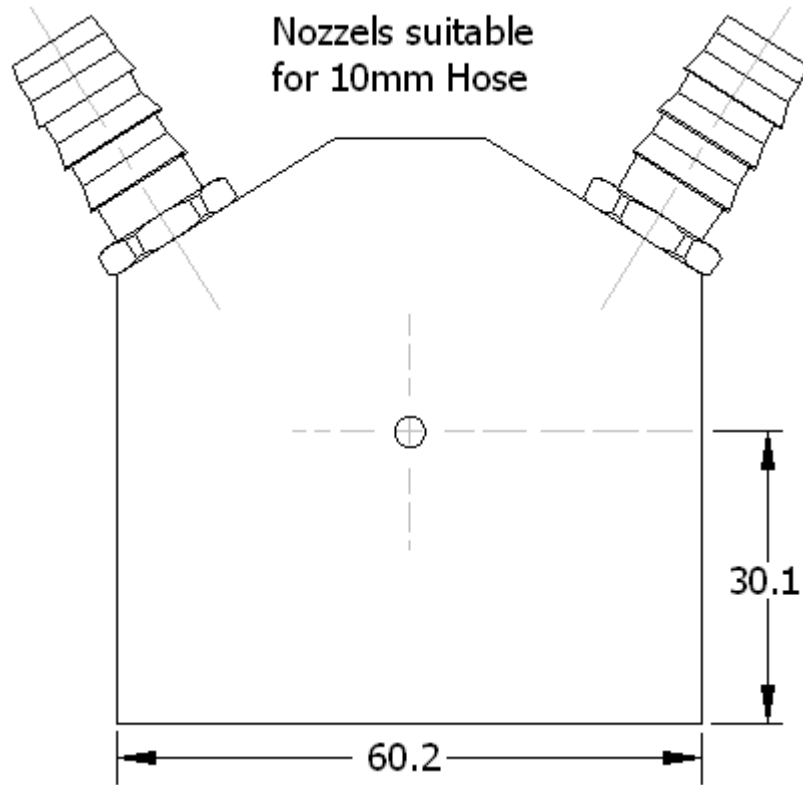


# Cooler WCL2 - LKA



## Coolers

Part Number	Old Part Number	Weight Kg	Cooler Thickness mm	Busbar Thickness mm	Description	Outline
XW076NC16B	LK	0.612	16	6.4	47mm WC Cu	<a href="#">WCL1</a>
XW076NC16BS	LK					
XW076NC16BT	LK					
XW076NC16C	LK					
XW076NC16CT	LK					
XW076NC16A	LKA	0.418	16	n/a	47mm WC Cu with Busbar + thermostat hole (1/2" Hose)	<a href="#">WCL2</a>
XW076NC16R	WS71.1	0.581	16	6.35	47mm WC Cu reversed with Busbar	<a href="#">WCL12</a>
XW076NC16W	WS71.2	0.4		n/a		<a href="#">WCL13</a>
XW116ZC20B	LKB	1.75	20	10	73mm WC Cu	<a href="#">WCL3</a>
XW116ZC20C	LKD	2.12		10		<a href="#">WCL5</a>
XW116ZC20R	WS72.1	1.672		10		<a href="#">WCL14</a>
XW116ZC20W	WS72.2	1.119		n/a		<a href="#">WCL15</a>
XW116ZC20A	LKC	1.3		n/a		<a href="#">WCL4</a>
XW127EN15A	WS27	0.375	15	n/a	85mm WC Al Nitride	<a href="#">WCL8</a>
XW127EN15B	WS27					
XW127EC25A	n/a	1.65	25	N/A	85mm WC Cu Helix	<a href="#">WCL16</a>
XW127EC25B	n/a	2.2		8	85mm WC Cu with Busbar Helix	<a href="#">WCL17</a>
XW127EA25A	n/a	0.5		N/A	85mm WC Al Helix	<a href="#">WCL16</a>
XW127EA25B	n/a	0.65		8	85mm WC Al with Busbar Helix	<a href="#">WCL17</a>
XW160FC25B	LKE	4.52	25	10	100mm WC Cu	<a href="#">WCL6</a>
XW160FC25A	LKF	3.62		n/a		<a href="#">WCL7</a>
XW180GC34A	WS70	4.92	34	N/A	125mm WC Cu Helix	<a href="#">WCL11</a>
XW180GC34B	n/a	5.95		10	125mm WC Cu with Busbar Helix	<a href="#">WCL10</a>
XW180GA34A	n/a	1.5		N/A	125mm WC Al Helix	<a href="#">WCL11</a>
XW180GA34B	n/a	1.8		10	125mm WC Al with Busbar Helix	<a href="#">WCL10</a>
XW180GN25A	n/a	0.92	25	N/A	125mm WC Al Nitride Helix	<a href="#">WCL18</a>
XW270QA25A	WS65	2.941	25	n/a	270 x 190mm WC Al Cold Plate	<a href="#">WCL9</a>

## Cooler Accessories

Part Number	Cooler Accessories
XSNM12H10S	M12 Cooler Connection, 10mm Hose & Stainless Steel material
XSNM12H12S	M12 Cooler Connection, 12mm Hose & Stainless Steel material
XSNM10H15P	M10 Cooler Connection, 15mm Hose & Plastic Material