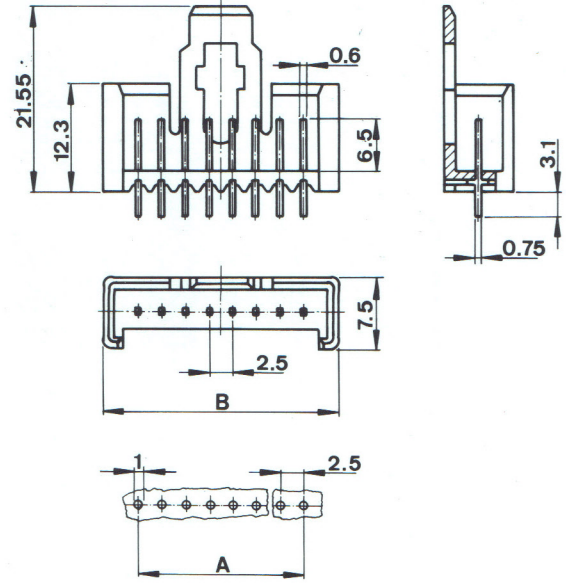
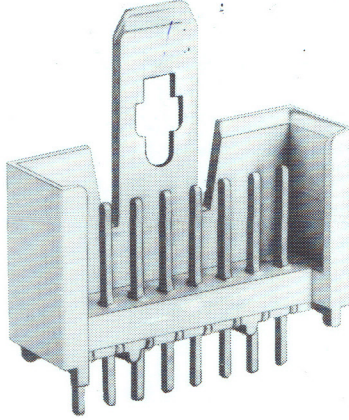


STANDART TASTIKLI KOMPONENT
SERTİFİKA NO: E 130167
STANDART RECOGNIZED COMPONENT
CERTIFICATE NO: E 130167



Hammaddeler

Gövde: Termoplastik UL94 V-0
Terminaller: Cu Zn 5 µm Sn

Materials

Housing: Thermoplastic UL94 V-0
Terminals: Cu Zn 5 µm Sn

Teknik özellikler Technical data

Terminal başına max. akım Max. Current load per contact	5A/70° C
Çevre sıcaklığında anma akımı Normal current rate at ambient temperature	5A/30° C
Kullanma sıcaklığı Temperature range	+ 115° C - 40° C
Terminal mesafesi Pitch dimension	2.5 mm
Terminal cinsi Terminal type	Lehimlenebilir Solder
Kontakt direnci Contact resistance	< 10 m Ω
İzolasyon direnci Insulation resistance	> 10 ⁹ Ω
Anma gerilimi Voltage rate	250 V

Terminal Adedi No. of Terminals	Tip Numarası Type Number	Ölçüler Dimensions	
		A	B
2	2.5 TMK 2002	2.5	7.9
3	2.5 TMK 2003	5.0	12.2
4	2.5 TMK 2004	7.5	14.7
5	2.5 TMK 2005	10.0	17.2
6	2.5 TMK 2006	12.5	19.7
7	2.5 TMK 2007	15.0	22.2
8	2.5 TMK 2008	17.5	24.7
9	2.5 TMK 2009	20.0	27.2
10	2.5 TMK 2010	22.5	29.7
11	2.5 TMK 2011	25.0	32.2
12	2.5 TMK 2012	27.5	34.7
13	2.5 TMK 2013	30.0	37.2
14	2.5 TMK 2014	32.5	39.7
15	2.5 TMK 2015	35.0	42.2
16	2.5 TMK 2016	37.5	44.7
17	2.5 TMK 2017	40.0	47.2
18	2.5 TMK 2018	42.5	49.7
19	2.5 TMK 2019	45.0	52.2
20	2.5 TMK 2020	47.5	54.7

TMK 1052 - 1502 - 1802 için
For TMK 1052 - 1502 - 1802

2	2.5 TMK 2052	2.5	9.7
---	--------------	-----	-----