

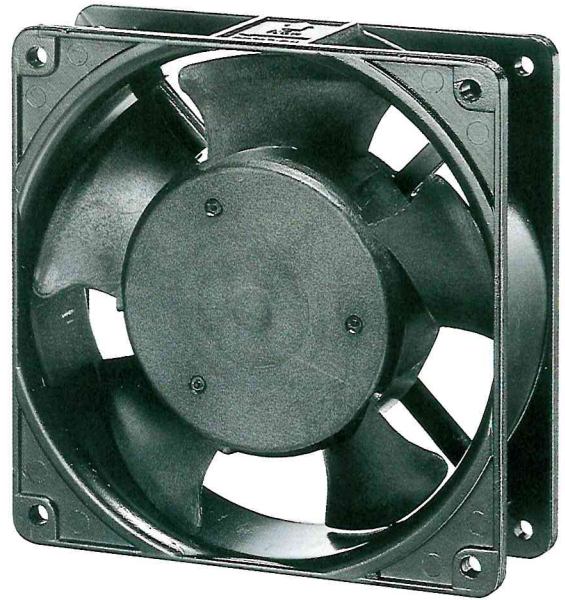
SAVIOR DC BRUSHLESS FAN

SD12038

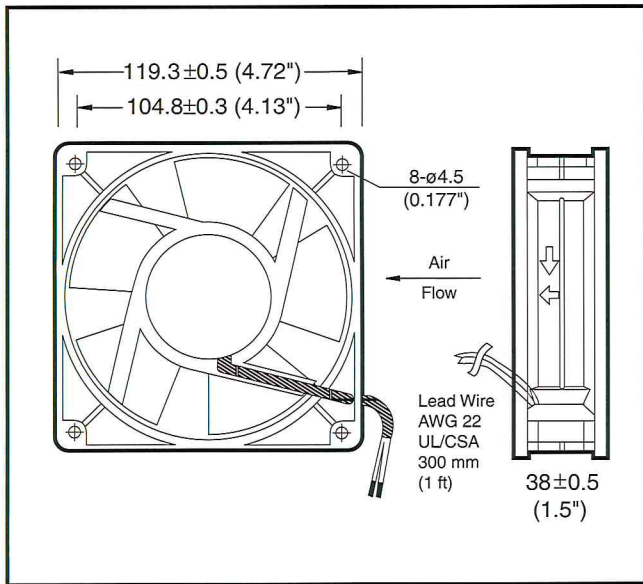
120x120x38mm

DESIGN FEATURES

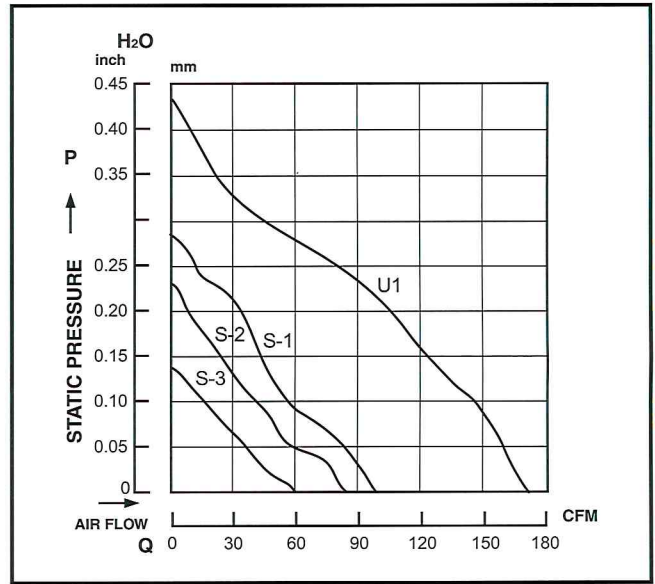
- *BEARING SYSTEM: SLEEVE BEARING & BALL BEARING
- *IMPELLER: PLASTIC WITH FIBER GLASS FILLED UL 94V-0
- *HOUSING: DIE CAST ALUMINUM PAINTED BLACK OR NATURAL COLOR
PLASTIC WITH FIBER GLASS FILLED UL 94V-0
- *MOTOR: BRUSHLESS DC
- *CONNECTING: WIRE LEADS
- *SPEED: H- HIGH SPEED TYPE
M-MEDIUM SPEED TYPE
L- LOW SPEED TYPE
- *OTHER VOLTAGE: 36, 48V ARE AVAILABLE
- *AVAILABLE FG TYPE FOR SPEED SENSOR SIGNAL
- *AVAILABLE RD TYPE FOR ROTOR LOCKED ALARM SIGNAL



DIMENSIONS:MM



PERFORMANCE



SPECIFICATIONS

Specifications are subject to change without notice

MODEL NO.	VOLTAGE (VDC)	AIR (CFM)	VOLUME (M ³ /MIN)	CURRENT (A)	POWER (W)	SPEED (RPM)	STATIC PRESSURE (INCH-H ₂ O)	NOISE (dBA)
SD12038U	12	168	4.76	1.80	21.60	3400	0.43	50
SD12038H	12	105	3.00	0.60	7.00	3000	0.28	45
	24	105	3.00	0.36	8.60	3000	0.28	45
	48	105	3.00	0.28	13.44	3000	0.28	45
SD12038M	12	80	2.42	0.45	5.40	2500	0.23	33
	24	80	2.42	0.28	6.72	2500	0.23	33
	48	80	2.42	0.20	9.60	2500	0.23	33
SD12038L	12	60	1.70	0.28	3.36	1900	0.14	26
	24	60	1.70	0.14	3.36	1900	0.14	26
	48	60	1.70	0.13	6.24	1900	0.14	26