

APPROVE SHEET

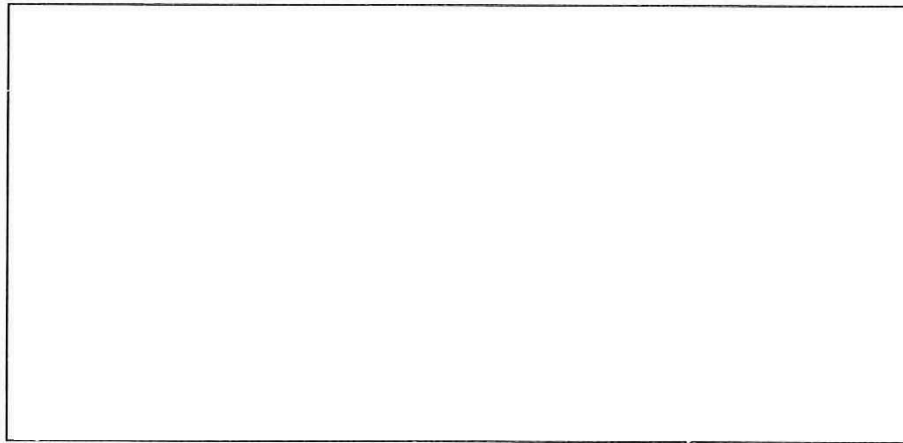
[Compliance with RoHS]

PRODUCT: DC BRUSHLESS FAN

USER P/N: _____

Parts No.: _____

Printed model number on the stick: KF0420H1H-AO



JAMICON GROUP
KAIMEI ELECTRONIC CORP.

Tel: +886-2-26981010

Fax: +886-2-26980336



APPROVED	CHECKED	DRAWN
		郝文姣 2020/12/22

Records of Revision

Part No.	KF0420B1H-0439KCURAO	Customer:	Rutronik-Uraz
Rev	Revision Description	Date	
A0	First edition	2020/12/22	

1. MECHANICAL:

1-01	Dimension	Dimension of fan shall be shown in the outline styling drawing attached.
1-02	Motor	Four-pole motor.
1-03	Frame	Plastic material UL 94V-0. (P.B.T)
1-04	Impeller	Plastic material UL 94V-0. (P.B.T)
1-05	Free drop shock	In minute package condition, the fan should withstand each one drop of three faces from 30cm distance height onto 10 mm thickness of wooden board.

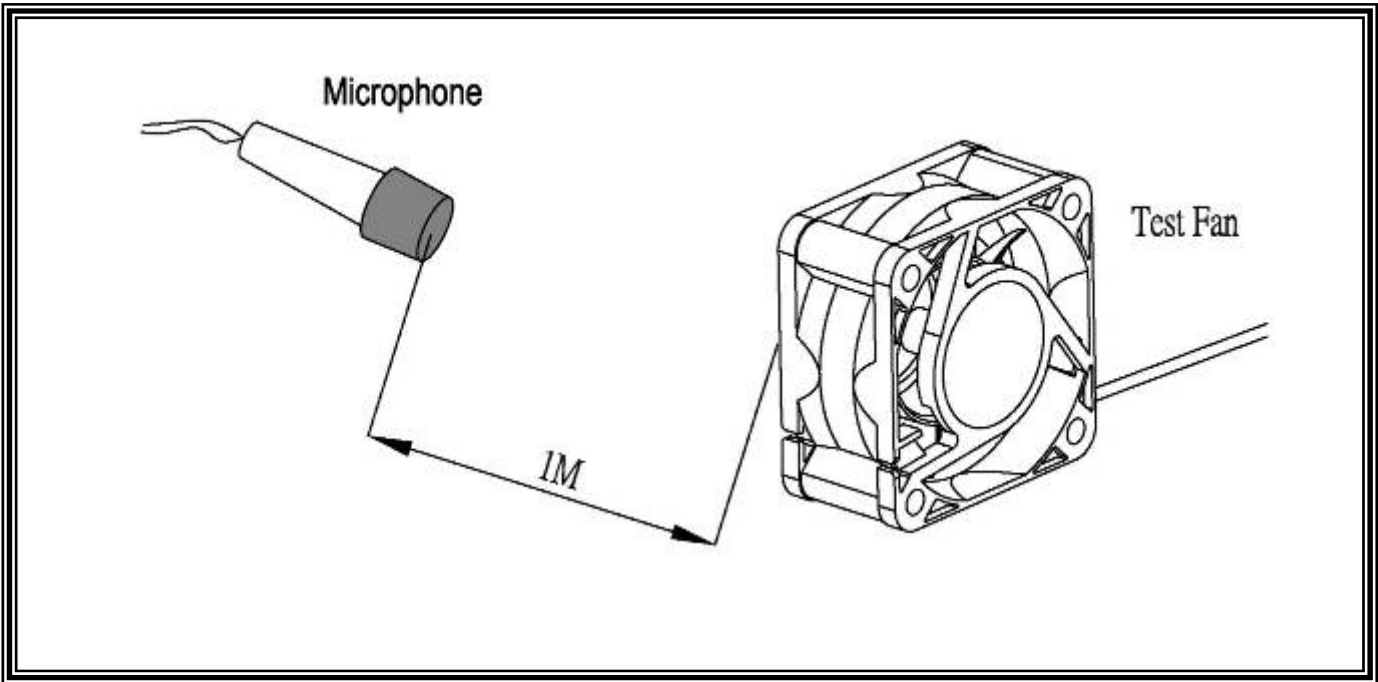
2.ELECTRICAL:25°C/65%RH

2-01	Rated current	Rated current shall be measured after 30 minutes continuous rotation at rated voltage.
2-02	Start voltage	The voltage that enable to start the fan by sudden switch on.
2-03	Rated Speed	Rated speed shall be measured after 30 minutes continuous rotation at rated voltage.
2-04	Input Power	Input power shall be measured after 30 minutes continuous rotation at rated voltage.
2-05	Lock Current	Locked current shall be measured Within one minute at rotor locked, after 30 minutes continuous rotation at rated voltage in clear air.
2-06	Insulation resistance	More than 10M ohm at 500 V.D.C between lead and housing.
2-07	Dielectric strength	Measured 5 mA(max) trip current at 700 V.A.C for 3 sec. between lead and housing.
2-08	Locked motor protection	Designed to meet UL, CUL and TUV.

DO NOT use power or ground PWM to control the fan speed.If the fan speed needs to be adjusted,please contact JAMICON to customize the product design for your application.

3.CHARACTERISTICS:

3-01	Air Flow & Static Pressure	The air flow data and static pressures should be determined in accordance with AMCA standard or DIN 24163 specification in a double- chamber testing with intake-side measurement.
3-02	Noise level	The measurement of noise level is carried out with reference to DIN 45635 in an echoic chamber with the microphone positioned 1 M from the air intake. Testing fan shall be hung in clean air.



4.ENVIRONMENTAL:

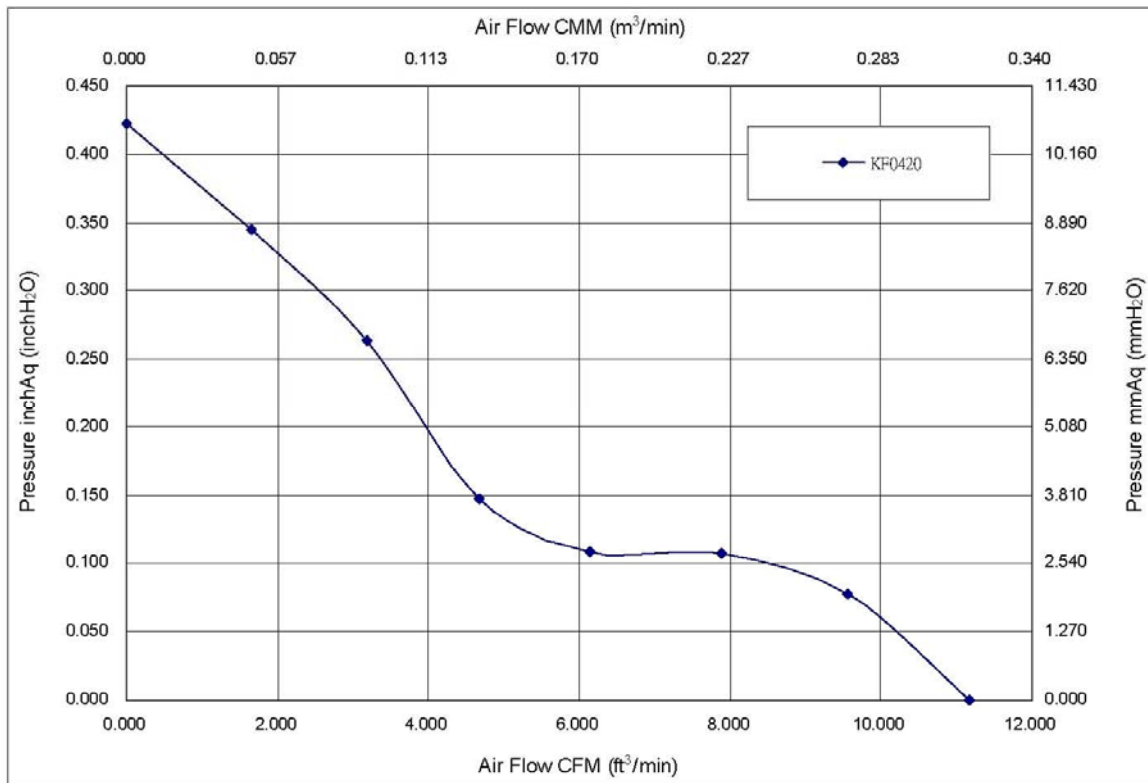
4-01	Operating temperature	-10°C to 70°C (ordinary humidity)
4-02	Storage Temperature	-40°C to 70°C (ordinary humidity)
4-03	Humidity	After 96 hrs, 95% RH 40±2°C per MIL-STD-202F method 103B, Humidity test , The measured data of insulation resistance & dielectric strength should meet the specification listed in attach.
4-04	Thermal Shock	After thermal shock test per MIL-STD-202F method 107D, Condition D, The measured data of insulation resistance & dielectric strength should the specification

5.DATA-SHEET:**PARTS NO.:****SAP NO.****5-1. SPECIFICATION:**

NO.	ITEM	SPECIFICATION	UNIT	CONDITION(25℃)
5-1-01	Dimension	40*40*20	mm	-----
5-1-02	Bearing	HTLS	-----	-----
5-1-03	Rated Voltage	12.0	VDC	-----
5-1-04	Operating Voltage	7.0 ~ 13.8	VDC	MAX. 13.8V
5-1-05	Start Voltage	7.0	VDC	On/off test max.
5-1-06	Speed	9000	R.P.M	±10%,At rated Voltage
5-1-07	Input Current	0.13	Amp	At rated Voltage
5-1-08	Input Power	1.56	Watt	At rated Voltage
5-1-09	Nominal Power	1.6	Watt	At rated Voltage
5-1-10	Air Flow	11.62	CFM	At 0 static Pressure of rated speed
5-1-11	Static Pressure	0.431	inchH ₂ O	At 0 air flow of rated speed
5-1-12	Noise	35.8	dB	At rated speed
5-1-13	Life Expectancy(L10)	30,000	Hours	At 40℃ (Bearing)
5-1-14	Motor protection	Impedance protected		
5-1-15	Polarity protection	It will not damage the fan while reverse input.		
5-1-16	Auto Restart	NO	-----	-----
5-1-17	Speed Signal output	NO	-----	-----
5-1-18	Alarm Signal output	NO	-----	-----
5-1-19	Rotation direction	From the label side	-----	Clockwise
5-1-20	Weight	25	Gram	Per each piece
5-1-21	Safety Certificate	UL, CUL, TUV, CE	-----	-----

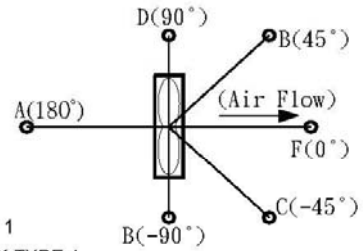
5-2. LEAD WIRE:

NO.	ITEM	SPECIFICATION			
5-2-01	AWG NO. & Authorize	26AWG, UL1007 (The end of wire with tin as drawing)			
5-2-02	Color	+	=		
		Red	Black		
5-2-03	Line Length	300±10 mm			
5-2-04	Connector	Notes as: Not available.			
5-2-05	Tube	NO			



風扇噪音性能測試報告
(The Test Report of Fan Noise)

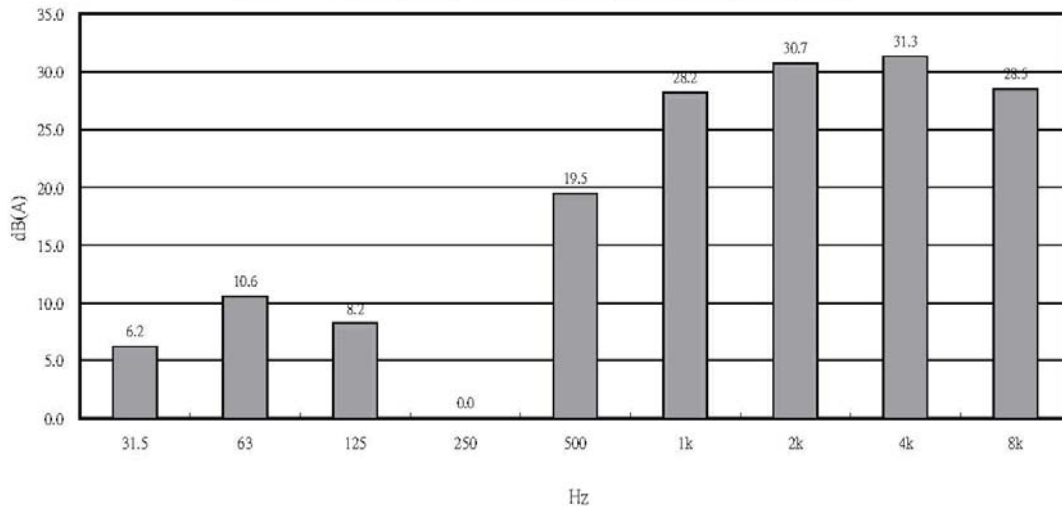
風扇型號(Sample Type) KF0420-01
 基本規格(roperties) DC 12 V 5 葉 4 極
 測試日期(Test Date) 12-26-2018
 測試編號(Tset No.) 2
 測試設備(Test Equip) B&K 2236
 Fulfils : IEC 651-1979 TYPE I IEC 804-1985 TYPE 1
 ANSI S1.4-1983 TYPE S1 ANSI S1.43-199X TYPE 1



測試條件(Test Conditions)			測試結果(Test Results)	
輸入電壓(Input Voltage)	12	V	電壓(Passing Voltage)	15.81 V
量測時間(Measuring Time)	20	Sec	電流(Electric Current)	0.12 A
麥克風距離(Mic. Distance)	100	cm	消耗功率(Power Dissipation)	1.97 W
麥克風角度(Mic. Angle)	180°		轉速(Rotation Speed)	9000 RPM
頻域加權(Freq.Weighting)	A		均能聲壓位準(Time-averaged SPL, Leq) (依據CNS 8753)	
時域加權(Time Weighting)	SLOW		量測點(At Meas. Point)	35.80 dB(A)
背景噪音(Background Noise)	15.0	dB(A)	1米處(At 1m Point)	35.80 dB(A)
溫度(Temperature)	23.8	°C	最大聲壓位準(MaxL)	36.30 dB(A)
相對濕度(Relative Humidity)	74.0	%	最小聲壓位準(MinL)	34.90 dB(A)

聲壓位準頻譜圖(Sound Pressure Level Octave-Band Spectrum)

頻率(Hz)	31.5	63	125	250	500	1k	2k	4k	8k
dB(A)	6.2	10.6	8.2	0.0	19.5	28.2	30.7	31.3	28.5

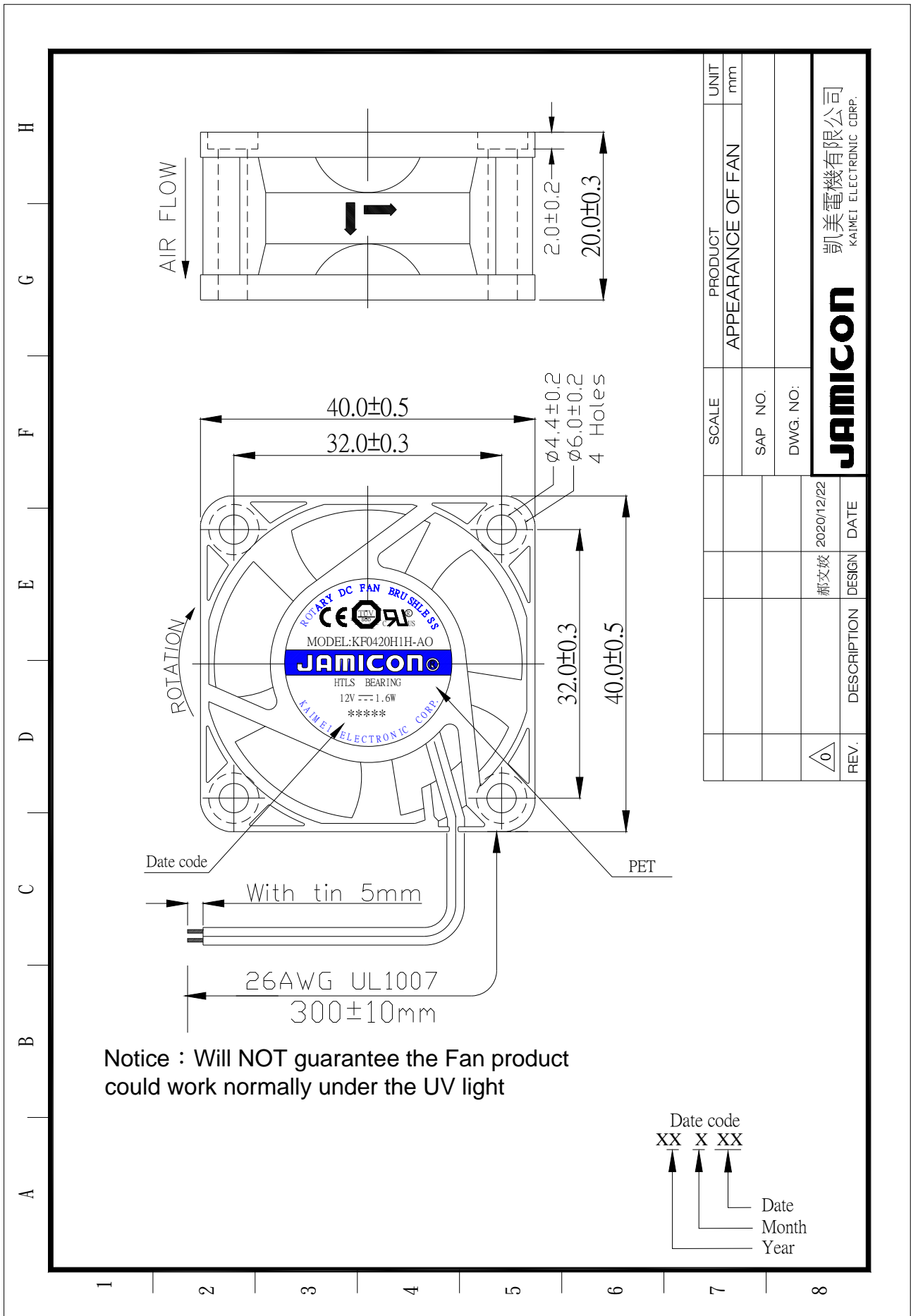


說明：

簽核人員：

操作人員： 4156

系統開發(Developer) 工業技術研究院機械工業研究所(MIRL/TTRI)



SCALE	PRODUCT	UNIT
SAP NO.	APPEARANCE OF FAN	mm
DWG. NO:		
REV.	DESCRIPTION	DATE
0		2020/12/22

JAMICON
 凯美电机有限公司
 KAIMI ELECTRONIC CORP.