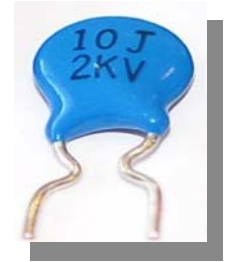


Ceramic Disc Capacitors

High Permittivity 2KV ~ 3KV Series



• Specifications

Operating Temperature Range 操作溫度範圍	Class I : -25°C~+85°C	Class II : Y5E,Y5P:-30°C~+85°C; Z5U,Z5V:+10°C~+85°C
Rated Working Voltage (DC) 工作電壓	2KV~3KV; are available.	2KV~3KV; are available.
Capacitance 電容器	Measured at 25°C, 1MHz,1Vms.max.	Measured at 25°C, 1KHz,1Vms.max.
Capacitance Tolerance 電容誤差值	1p F ~9 p F: ± 0.25 p F (C) or ± 0.5 p F (D), 10 p F and above: ± 5% (J) or ± 10% (K)	±10% (K), ±20%(M), +50%-10%(R), +80%-20%(Z)
Insulation Resistance 絕緣電阻值	10,000MΩ min. at working voltage,60 sec.	10,000MΩ min. at working voltage,60 sec.
Dissipation Factor (D.F.) 散逸因子	Measured at 25°C, 1MHz, 1V ms, max. Q=1000min, if C ≥ 30 p F Q ≥ 400+20C, if C < 30p F (where C= capacitance)	Measured at 25°C, 1KHz, 1V ms, max. Y5E, Y5P, Z5U: 2.5% max. Z5V: 5.0% max.
Voltage Proof (Flash Test) 電壓防護	Withstand 250% of rated working voltage with 50mA current, 1.5sec.	Withstand 250% of rated working voltage with 50mA current, 1.5sec.
Life Test 壽命測試	200% of rated voltage at 85°C for 500 hours.	200% of rated voltage at 85°C for 500 hours.
Applicable Standards 適用標準	EIA RS-198 (CLASS I), JIS C-6422 (TYPE I)	EIA RS-198 (CLASS II), JIS C-6422 (TYPE II)

• Dimensions & Capacitance range

Dimensions 尺寸		Capacitance range (pF) of each Temperature Coefficient 各溫度係數之電容值		
Dia. Max. (D)	Lead Spacing (F)	2 KV	3 KV	3 KV
		SL	NPO	SL
6.0	5.0± 0.8	10 ~ 56		5 ~ 47
7.0	5.0± 0.8	68 ~ 82	10 ~ 22	56 ~ 68
8.0	5.0± 0.8		25 ~ 33	82 ~ 101
9.0	5.0± 0.8		47 ~ 56	
10.0	5.0± 0.8		68 ~ 101	

Ceramic Disc Capacitors

High Permittivity 2KV ~ 3KV Series



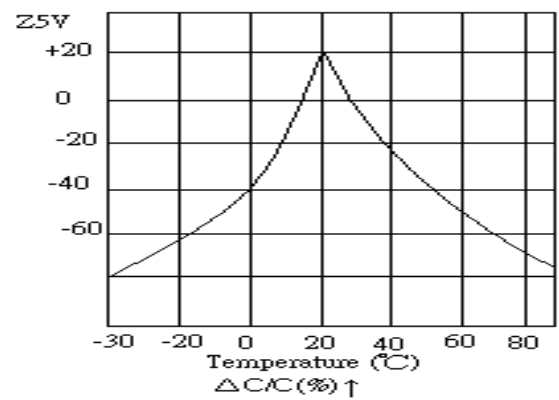
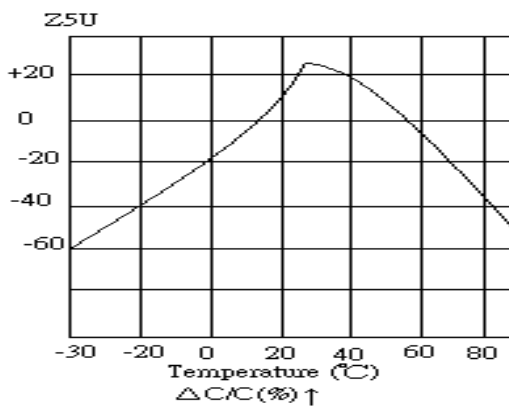
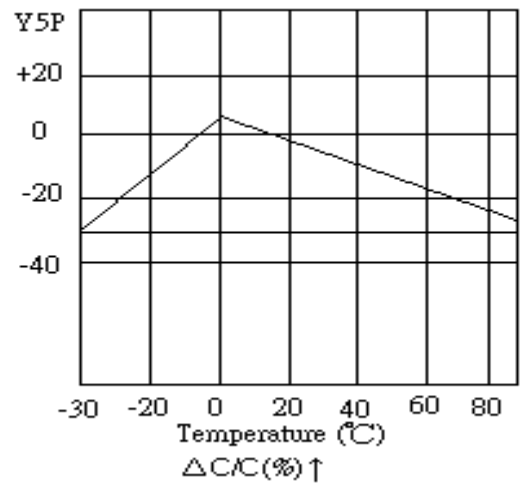
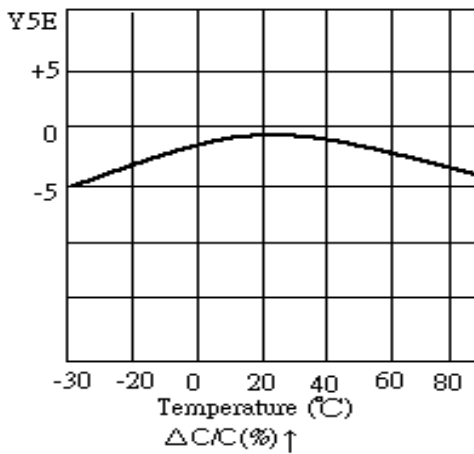
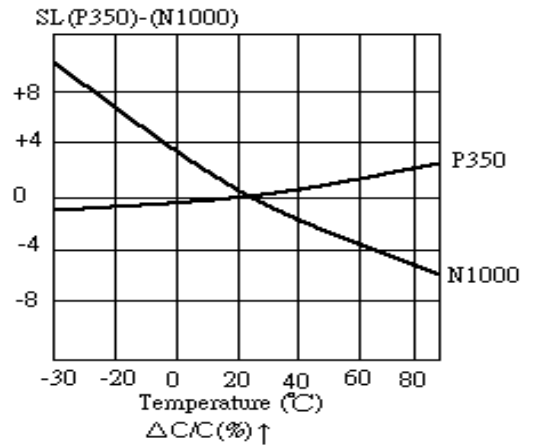
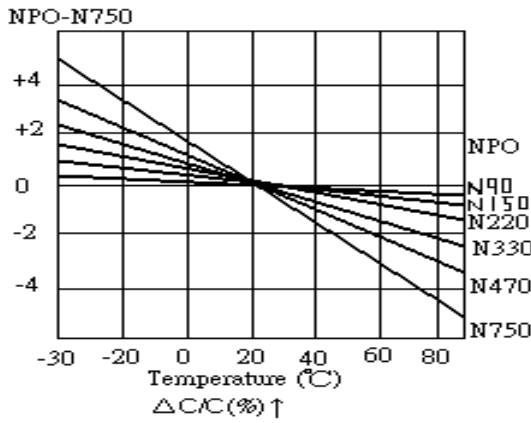
• Dimensions & Capacitance range

W.V. 電壓	Dimensions 尺寸			Capacitance range (pF) of each Temperature Coefficient 各溫度係數之電容值		
	(DC)	D	T	dφ	Y5P/Y5E	Z5U
2KV	7	6	0.6	100-470	100-1000	100-1500
	8	6	0.6	560-680	1500	2200
	9	6	0.6	1000	2200	3300
	10	6	0.6	1500	3300	47000 (0.01UF-Y5V)
	12	6	0.6	2200	4700	100000-
	14	6	0.6	3300	10000	
	16	6	0.6	-		-
3KV	18	6	0.6	4700	-	-
	8	7	0.6	100-470	100-1000	-
	9	7	0.6	680	1500	-
	10	7	0.6	820	-	-
	12	7	0.6	1000	2200	-
	14	7	0.6	2200	3300	-
	16	7	0.6	-	4700	-
	18	7	0.6	3300	-	-
	20	7	0.6	4700	10000	-

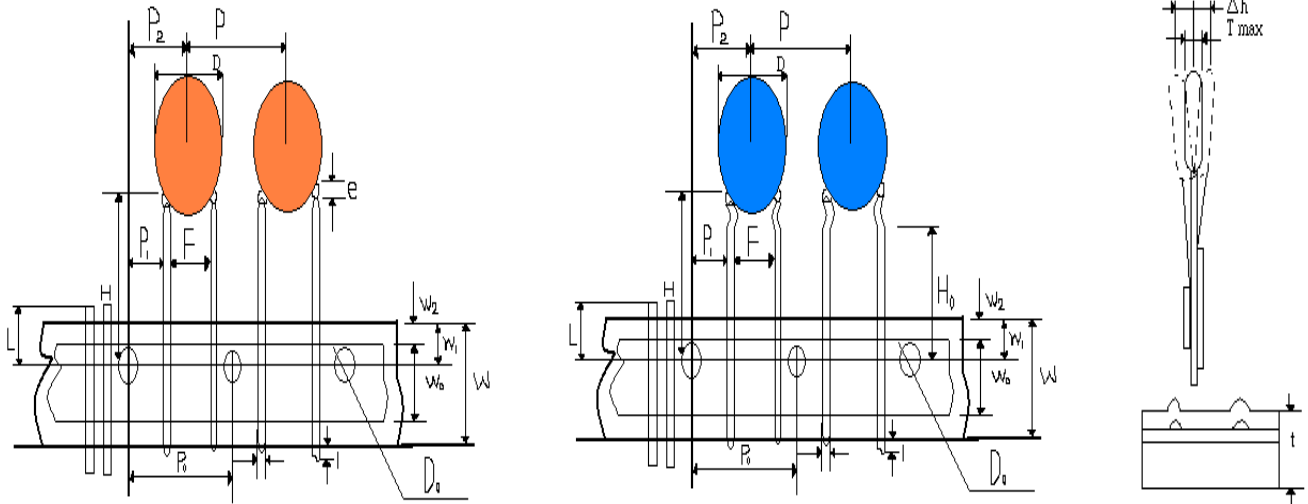
• How to order

K (1)	B (2)	1H (3)	101 (4)	K (5)	L (6)	5 (7)	1 (8)	5 (9)	Y (10)
<u>CLASS I/II</u> K series	<u>DIELECTRIC</u> B=Y5P/Y5E CH=NPO E=Z5U F=Z5V SL=SL	<u>RATED VOLTAGE</u> 3D=2KV 3F=3KV	<u>CAPACITANCE</u> 10nF=103 22nF=223 27nF=273 33nF=333 47nF=473 100nF= 104	<u>TOLERANCE</u> J=±5% K=±10% M=±20% Z=+80 ~ -20%	<u>LEAD SHAPE</u> K=Short kink (Bulk) S=Short Straight (Bulk) L=Long Straight (Bulk) A=Tape/Reel (Long Straight) B=Tape/Box (Long Straight) C=Tape/reel (Long kink) D=Tape/Box (Long kink)	<u>LEAD SPACING</u> 5=5.0±0.8 6=6.3±0.8 7=7.5±0.8 0=10 ±0.8	<u>LEAD LENGTH</u> 3=3.5±1.0 5=5.0±0.8 6=6.3±0.8 0=10 ±0.8 1= 25mm	<u>LEAD WIRE</u> 8=2KV (Φ0.45±0.6) 9=3KV (Φ0.6±0.05)	<u>GRADE</u> Y= -25°C ~+85°C Z= -10°C ~+70°C

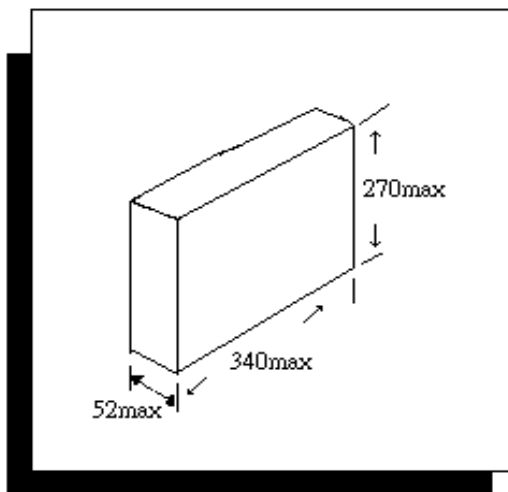
• Temperature characteristic curves



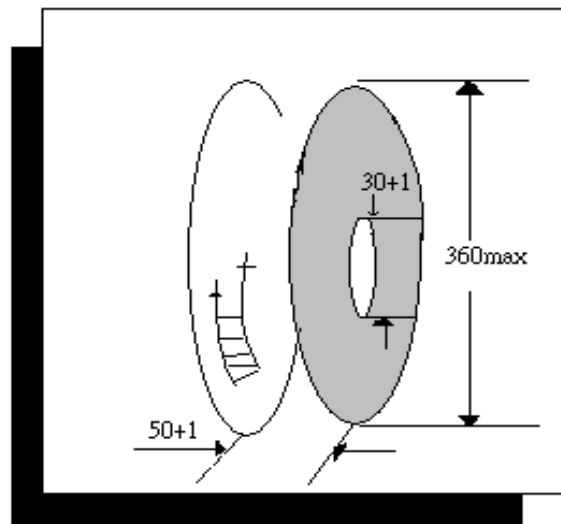
• Taping Specifications



AMMOPACK 編帶盒裝 2000pcs per Box



REEL 編帶捲裝 2000 or 2500 pcs Reel Unit mm



• Taping Specifications

Item 項目	Symbol 符號	Specifications 規格		Remarks 備註
		Value 尺寸	Tolerance 誤差	
Body Width 本體直徑	D	11.0	Max.	
Body Thickness 本體厚度	T	3.5	Max.	
Lead-wire diameter 引線直徑	d	0.55	+0.06-0.05	
Pitch of component 部品間寬距	P	12.7	±1.0	
Feed hole pitch 進料孔寬距	P0	12.7	±0.3	Cumulative pitch error. 1.0 mm /20 pitch 累積誤差
Feed hole center to lead 進料孔到引線寬	P1	3.85	±0.7	To be measured at bottom 在底部量測
Hole to component center 進料孔到部品寬	P2	6.35	±1.3	
Component alignment 部品排列偏度	h	0	±0.2	
Tape width 紙帶寬度	W	18.0	+1.0-0.5	
Hold-down tape width 膠帶寬度	W0	11.0	Min.	
Hole position 進料孔位置	W1	9.0	+0.75-0.5	
Hole-down tape position 膠帶位置	W2	3.0	Max.	
Height of component from Tape center 部品與紙帶中心高度	H	20.0	+1.0-0.5	For Straight Lead Type 直引線型
	H0	16.0	±0.5	For Kinked Lead Type 彎引線型
Lead-to-lead distance 引 線寬度	F	5.0	±0.8	
Lead-wire protrusion 引線凸出量	l	2.0	Max.	
Feed hole diameter 進料孔直徑	D0	4.0	±0.3	
Total tape thickness 總紙帶厚度	t	0.7	±0.2	Ground paper 底部厚度： 0.5 ±0.1mm
Length of snipped lead 裁切引線長度	L	11.0	Max.	
Coating rundown on leads 引線漆長	e	1.5	Max.	