



SAN CORE **Zhongshan Sancore Electronic co.,ltd**



XUYI OUGE ELECTRONIC CO.,LTD

Add: No.9 Ruiping Rd, Luosha Village, Yongning Industrial, Xiaolan Town, Zhongshan City, Guangdong, China.



Tel: +86-760-22286356 Fax: +86-760-22286951
 Email:sales03@ougedianzi.com Website:www.ougedianzi.com

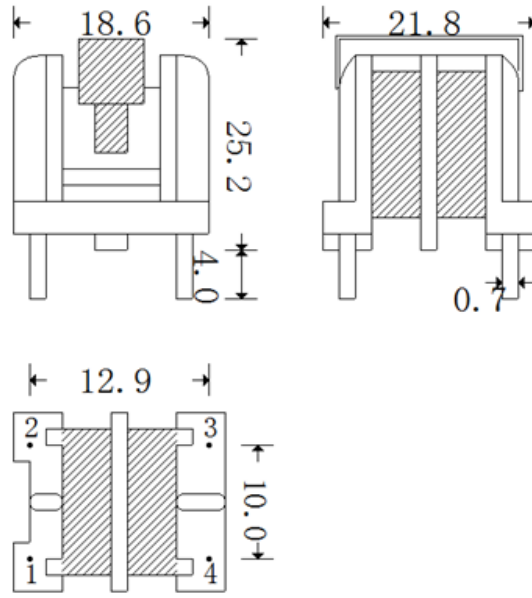
SPECIFICATION FOR APPROVAL

CUSTOMER NAME	Ozdisan		
Item No:	UU16 line filter		
CUSTOMER NO:		CUSTOMER REVISION:	1.0
OUGE No:	SX-3323UU16	OU GE REVISION:	A1

Note:Please send confirmation to us with signature and seal

sign and seal by seller			Sign and seal by buyer		
Preparer	Reviewer	Approver	Reviewer	Approver	confirmer
ZhiHua Zhang					
Date:	20 th March 2023		Date		

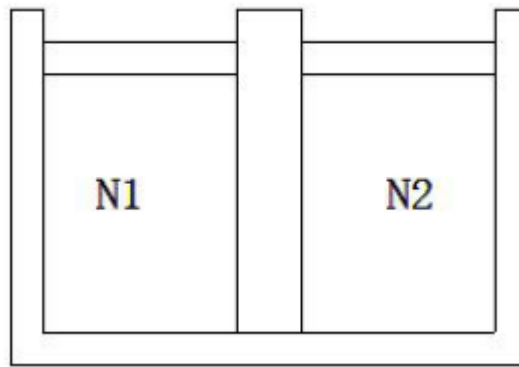
1. Dimensions (unit:mm)



2. Circuit dargram:



3. cross-section drawn:



XuYi OuGe Electronic Co., Ltd

TEL: 0760-22131648 Fax: 0760-22286311

Ouge Item No

SX-3323UU16

Name

UU16 inductor

Revision

A1

Page No

1/3

4. winding process:

No	Pin(start- top)	Specification of copper line	Turns
N1	2-1	2UEW ϕ 0.50mm \times 1P	45Ref
N2	4-3	2UEW ϕ 0.50mm \times 1P	45Ref

5. Description:

1. UU16 pin2+2,
2. UU16 AL>5500
3. Transformers vacuum impregnation and bake.

6. Electrical Parameter

○, 1Inductance

No	Pins	Specification	Test condition	Test equipment
1	1-2/4-3	L>5mH	1.0KHZ 0.3V	TH2819XB

○, 2Leakage Inductance

No	Pins	Specification	Test condition	Test equipment
1	1-2/4-3	/	/	TH2819XB

7. BOM List

No	Name	Specification	Remark
1	Ferrite core	UU16 AL>5500	SGS
2	Bobbin coil	UU16 pin2: 2	SGS
3	Magnet wire	2UEW 155°C	E85640
4	Insulating oil	T1148-1	E228349
5	Diluent	T1148-1X	
6	Clip	UU10.5	S/S
7	High temperature tin	100H	SGS

TEL: 0760-22131648 Fax: 0760-22286311

Name

UU16 inductor

Email:sales03@ougedianzi.com

Revision

A12

Page No

2/3