

FEATURES

Joint Circuit board with Chassis.

Provides distance, space and support between Circuit board and chassis.

Tapping Screw Mount design, offer extremely strength to fix circuit board on chassis.

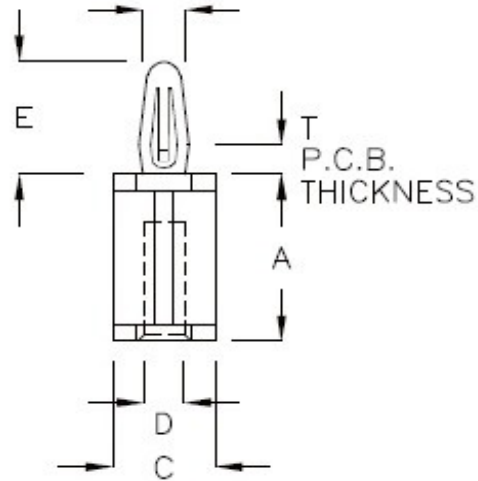
SPECIFICATION

MATERIAL: NYLON 66 (UL)

FLAME CLASS: 94V-2

COLOR: NATURAL

HOLE IN P.C.B.: $\phi 4.0$



PART NO	A	T P.C.B. THICKNESS	C	SCREW & THICKNESS		E
				D TAPPING SCREW	SUITABLE THICKNESS	
BCMS-6	6.35	1.2~1.7	9	M3x6	1	10.7
BCMS-6AD	6	1.2~1.7	8.6	M3x5	1	10.2
BCMS-8	8	1.2~1.7	8.9	M3x6	1	10.6
BCMS-10	10	1.2~1.7	9	M3x6	1	10.1
BCMS-12	12.7	1.2~1.7	8.9	M3x6	1	10.6
BCMS-14	14	1.2~1.7	9.2	M3x6	1	10.3