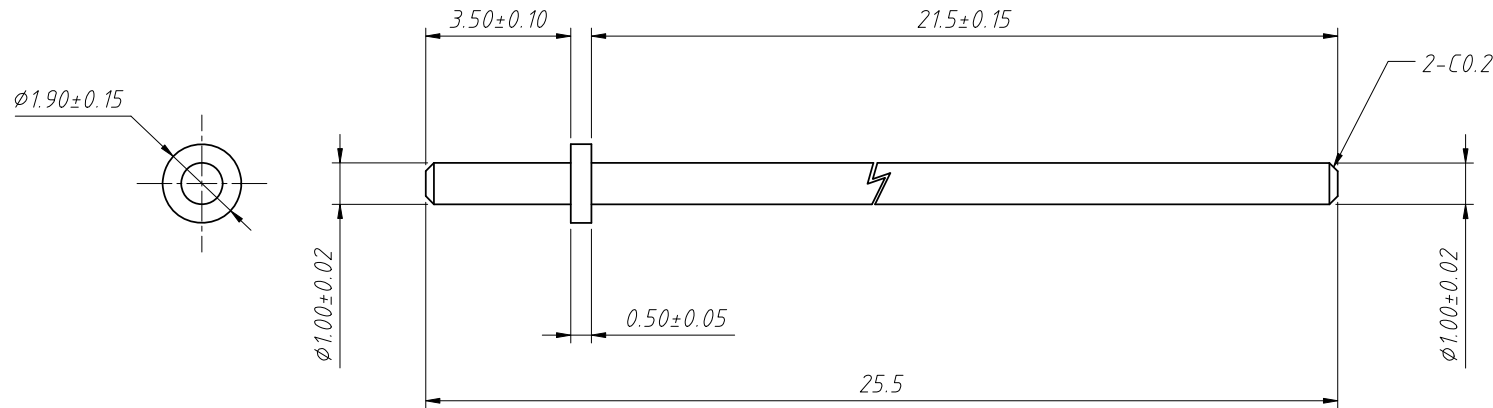


RoHS Compliance



Technical Requirements:

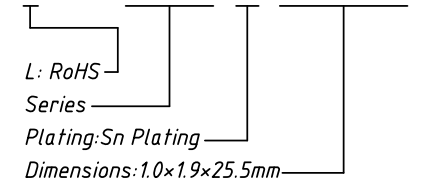
1. Material: Brass C3604
2. External surface finish Ra1.0, no front and burr allowed; The cutting point shall not exceed 0.03mm.
3. Tin plating after bending.
4. Black, yellow, fog and other undesirable phenomena are not allowed.

QC operating standard:

1. Random inspection shall be conducted every 2 hours. If 1 PC is found to be defective, another 5pcs shall be taken for inspection.
2. Do not have a front, burr and other bad. The maximum chamfering cut point of pipe mouth should not exceed 0.03mm.
3. Black, yellow, fog and other undesirable phenomena are not allowed.

Order Information:

L-KLS1-2172-03-Sn-1.0×1.9×25.5



ANGLE TOLERANCE	PROJECTION	Description:	Double needle (Copper Pillar)	
±3°				
GENERAL TOLERANCE	UNITS	mm	KLS P/N:	L-KLS1-2172-03-Sn-1.0×1.9×25.5
x.x ±0.30	SHEET SIZE	A4		
x.xx ±0.20	Draw:	Daniel	2022-08-15	NingBo KLS ELECTRONIC CO.,L TD.
x.xxx ±0.10	Check:	Daniel	2022-08-15	