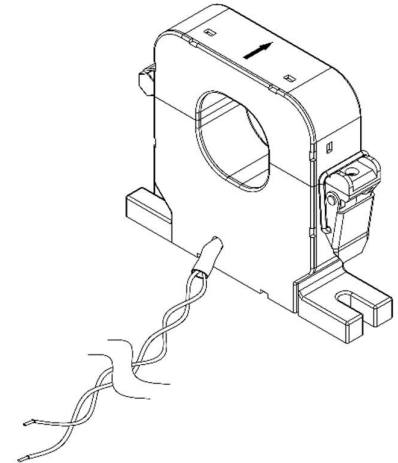


$I_{pn}$  100...1000Arms



Representative image only

**Features**

- Compact size
- Secure locking

**Advantages**

- Very good linearity
- No insertion losses

**Applications**

- Sub-Metering
- Data Loggers to analyse Building & Machinery Performance
- Load monitoring

**Application domain**

- Commercial
- Industrial

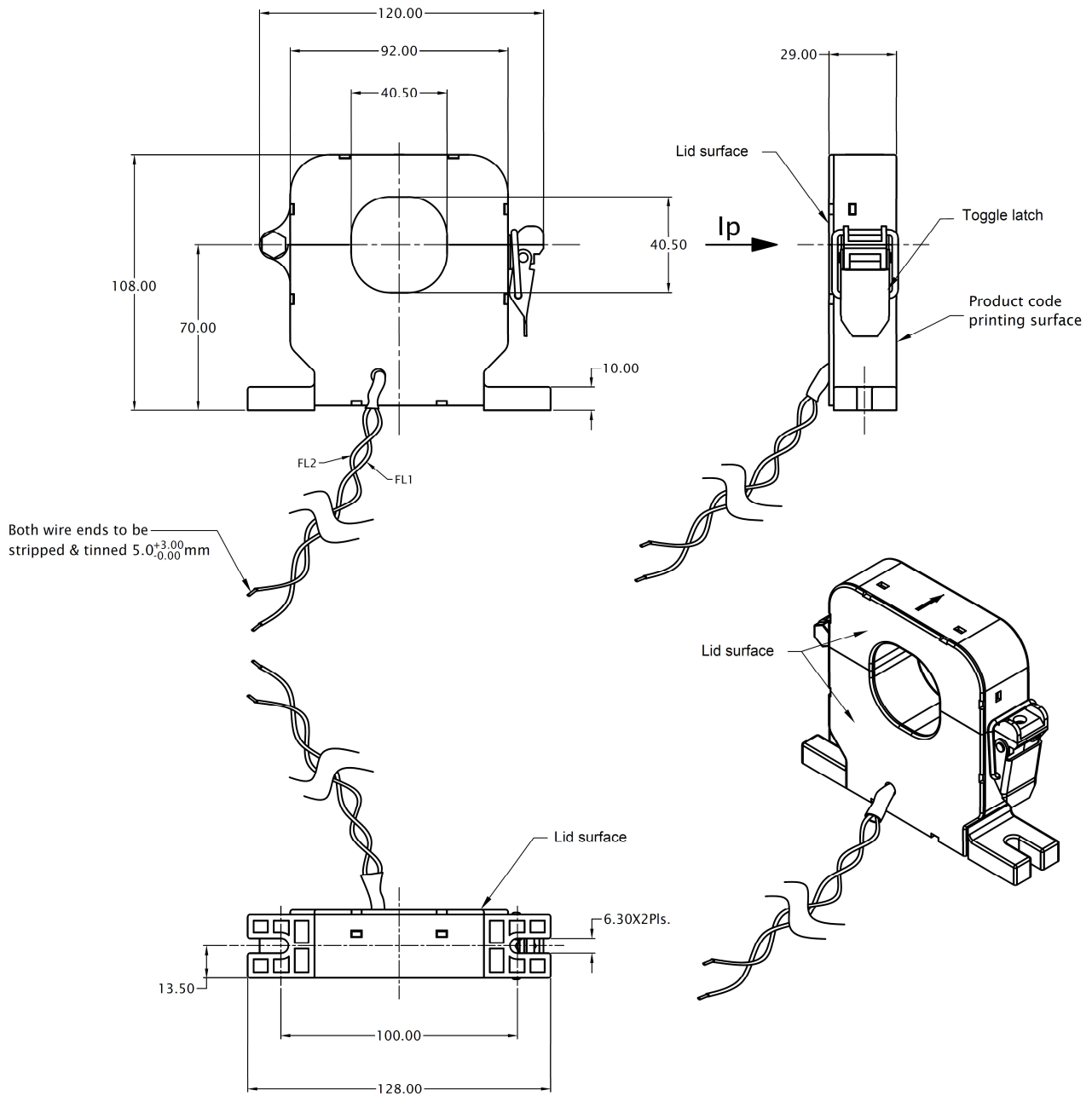
**Specifications @ 25°C**

Product Code	Primary Nominal Current	Output Voltage at nominal current (Vrms)
ST1370-V333100	100	0.333
ST1370-V333200	200	
ST1370-V333300	300	
ST1370-V333400	400	
ST1370-V333500	500	
ST1370-V333600	600	
ST1370-V333800	800	
ST1370-V3331K0	1000	

Parameters	Symbol	Value	Units
Operating frequency	Hz	50/60	Hz
Overload current for 60 seconds	I	110	%
Amplitude error	AE	≤1.0	%
Operating temperature range	To	-10 to +70	°C
Storage temperature range	Ts	-10 to +70	°C
Dielectric strength between conductor inserted in the primary opening and secondary terminals @ 50Hz, 60 seconds	---	3.0	kVrms
Mass for highest current rating	m	380	g

Mechanical dimensions

GENERAL TOL. ± 1.0 mm	
ALL DIMENSIONS ARE IN 'mm'	SCALE -NTS



Termination Details

S (Start FL1)	PVC wire, 22AWG, Red 1000 +/-40.0mm Length
F (Finish FL2)	PVC wire, 22AWG, Black 1000 +/-40.0mm Length

**Notes:**

- Transformer mounting: 2 Slots X Ø 6.3mm, M6 steel screws, recommended fastening torque 4.6 N-m
- The start & finish of the CT will be as shown in the figure, when primary current flows in the direction of arrow
- Also available with UL approved materials on request.
- The CTs with fly leads are prone to noise pick up. The performances are guaranteed in laboratory conditions which is noise free environment. In the final installation, errors may degrade depending on the actual environment. Customer is requested to check the suitability of product in the actual application before acceptance.

**Safety**



- When operating the current transformer, primary busbar can carry hazardous voltage.
- Risk of electrical shock when current transformer is operated with secondary in open condition with primary winding energised.

**General information:**

Electrohms reserves the right to make modifications on products for improvements without prior notice.