

Features

- Isolation

Advantage

- -----

Applications

- Relay application

Application domain

- Commercial
- Industrial

Specifications @ 25°C

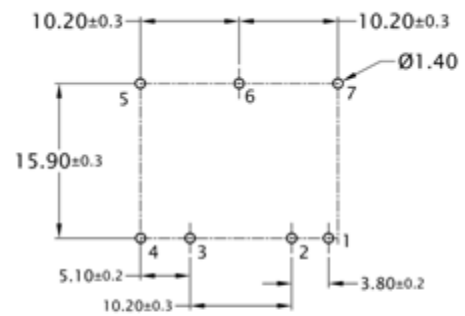
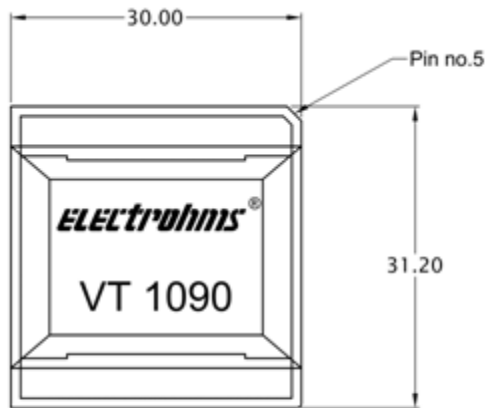
Parameters	Symbol	Value	Units
Voltage input with resistance R1=R2 = 22k Ω	V _i	110	Vrms
Voltage output	V _o	4.3	Vrms
Operating frequency	f	50/60	Hz
Turns ratio	K _N	1:1	---
Primary winding resistance	R _p	2.1 - 3.0	k Ω
Secondary winding resistance	R _s	2.1 - 3.0	k Ω
Recommended secondary burden resistance	R _b	2	k Ω
Inductance @ 0.3Vrms, 100Hz, parallel mode	L	100 - 350	H
Operating temperature range	T _{opr}	-40 to +85	°C
Storage temperature range	T _{stg}	-40 to +85	°C
Dielectric strength between primary and secondary terminals, @ 50Hz, 60 seconds	V _d	4.0	kVrms
Mass	m	41	g

The transformer error values are guaranteed with recommended secondary burden resistance values. Contact ELECTROHMS design group for use of burden other than recommended secondary burden resistance.

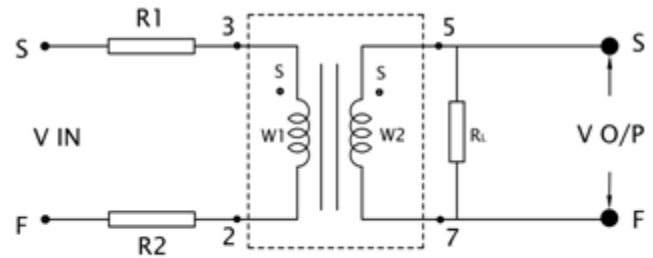
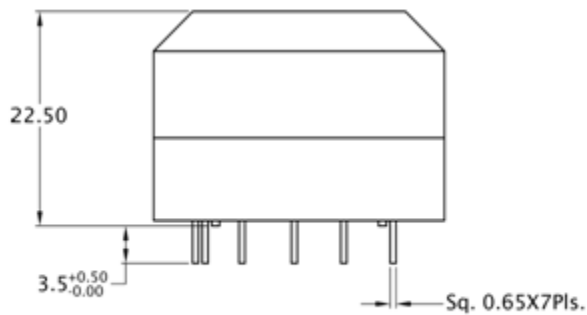
Voltage Transformer VT1090-RC

Mechanical dimensions

GENERAL TOL. ±0.5 mm	
ALL DIMENSIONS ARE IN 'mm'	SCALE -NTS



PCB PIN PITCH DETAIL



TEST SET UP DIAGRAM

Termination Details

S	Start
F	Finish

Notes:

- The start & finish of the transformer and winding schematic is as shown in the figure above.

Safety



- When operating, the transformer will carry hazardous voltages.

General information:

Electrohms reserves the rights to make modifications on products for improvements without prior notice.