

Size B1 to B4, C1 to C3 and D1 Centre Bolted Tag Fuse Links for General Industrial Applications
80A to 1250A, 550-660-690Vac/300-350-460Vdc TC, TF, TKF, TMF, TKM, TM, TTM, TLM and TXU Red Spot Series



Catalogue Symbol:

TC (amp rating)
TF (amp rating)
TKF (amp rating)
TMF (amp rating)
TKM (amp rating)
TM (amp rating)
TTM (amp rating)
TLM (amp rating)
TXU (amp rating)

Class of Operation:

gG and gM

Fuse Size:

BS88 ref B1 to B4, C1 to C3 and D1

Alternative Fuse Links:

See technical data page 2

Standards/Approvals:

BS88-2 and IEC 60269-2

Compatible Fuse Holders:

See technical data page 2

Description:

A range of centre tagged BS fuse links in sizes B1 to B4, C1 to C3 and D1 specifically designed for the protection of general industrial applications, e.g. power distribution, cable protection, motor protection.

Packaging:

TC and TF: 10 per pack
TKF: 5 per pack
TMF, TKM, TM, TTM, TLM and TXU: 1 per pack
Packaging 100% recyclable

Technical Data:

Rated Voltage: 550/660/690Vac
300/350/460Vdc
Rated Current: 80A to 1250A

Rated Breaking Capacity:

AC: ASTA 20 certified to 80kA, generally at 660Volts to BS88 Part 2 1988 (IEC 60269-2)
Min Interrupting Rating: $1.6 \times I_n$

Features:

- Good peak and let-through current limitation
- 1:1.6 Selective coordinate ratio between 'downstream' and 'upstream' fuse
- All Red Spot fuse links are suitable for motor protection as gM ratings enhance the breaking capacity capability
- All Red Spot fuse links have power loss values well within the limits of IEC 60269

Size B1 to B4, C1 to C3 and D1 Centre Bolted Tag Fuse Links for General Industrial Applications

80A to 1250A, 550-660-690Vac/300-350-460Vdc TC, TF, TKF, TMF, TKM, TM, TTM, TLM and TXU Red Spot Series

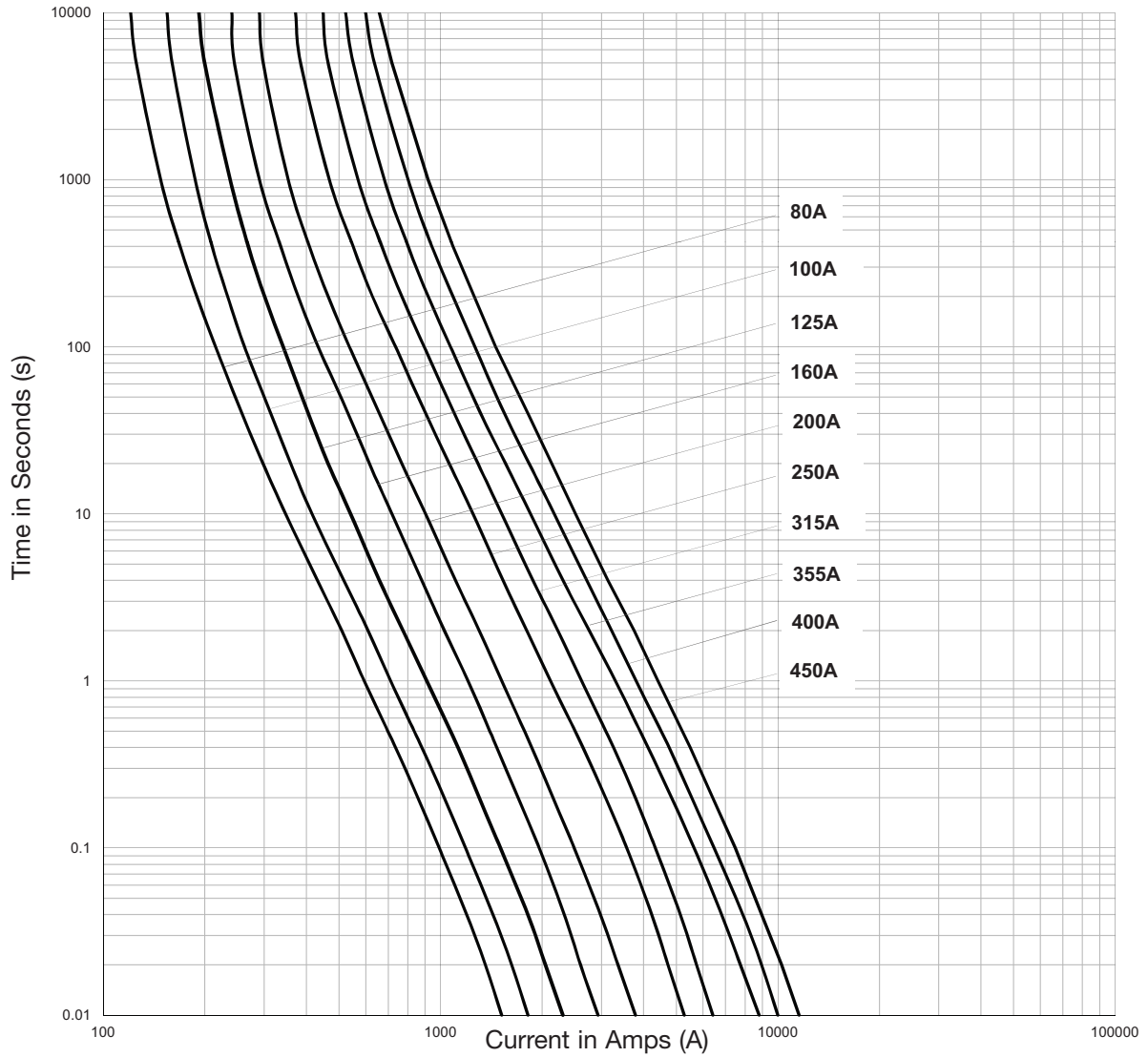
Technical Data

Catalogue Numbers	BS88 reference	Rated Current (Amps)	Rated Voltage (Vac/dc)	Class of Operation	I ² t (A ² s)		Alternative Fuse Links	Compatible Fuse Holders	
					Pre-Arcing	Total at Rated Voltage			
TC80	B1	80	660-690Vac/ 350Vdc	gG	14	66	L09-660 (CD at 550Vac)	RS200	
TC100		100			17	100			
TC100M125		100M125		25	140				
TC100M160		100M160		62	270				
TC100M200		100M200		105	430				
TF125	B2	125	660-690Vac/ 350Vdc	gG	25	140	M09-660 (DD at 415Vac)	RS200	
TF160		160			62	270			
TF200		200			105	430			
TF200M250		200M250		200	870				
TF200M315		200M315		550Vac	300	1050*			
TKF250	B3	250	660-690Vac/ 460Vdc	gG	200	870	N09-660 (ED at 415Vac)	N/A	
TKF315		315			300	1350			
TKF315M355		315M355		500	2250				
TMF355	B4	355		660-690Vac/ 460Vdc	gG	500	2250	P09-660 (ED at 415Vac)	N/A
TMF400		400				640	3000		
TMF400M450		400M450	800		3800				
TKM250	N/A	250	660-690Vac/ 460Vdc		gG	200	870	N11-660 (EFS at 415Vac)	RS400
TKM315		315				300	1350		
TKM315M355		315M355		500	2250				
TM355	C1	355		660-690Vac/ 460Vdc	gG	500	2250	P11-660 (EF at 415Vac)	RS400
TM400		400				640	3000		
TM400M450		400M450	800		3800				
TTM450	C2	450	660-690Vac/ 450Vdc		gG	800	3800	R11-660 (FF at 415Vac)	N/A
TTM500		500				1050	4500		
TTM560		560		1400		5400			
TTM630		630		2000		7500			
TTM630M670		630M670		gM	2400	9000			
TLM670	C3	670	660-690Vac/ 350Vdc	gG	2400	9000	GF at 550Vac	N/A	
TLM710		710			2800	9700			
TLM750		750			3700	12,000			
TLM800		800			4400	15,000			
TXU1000	D1	1000	660-690Vac/ 300Vdc	gG	5300	17,500	GH at 550Vac	N/A	
TXU1250		1250			10,000	29,000			

* TF200M315 rated at 550Vac

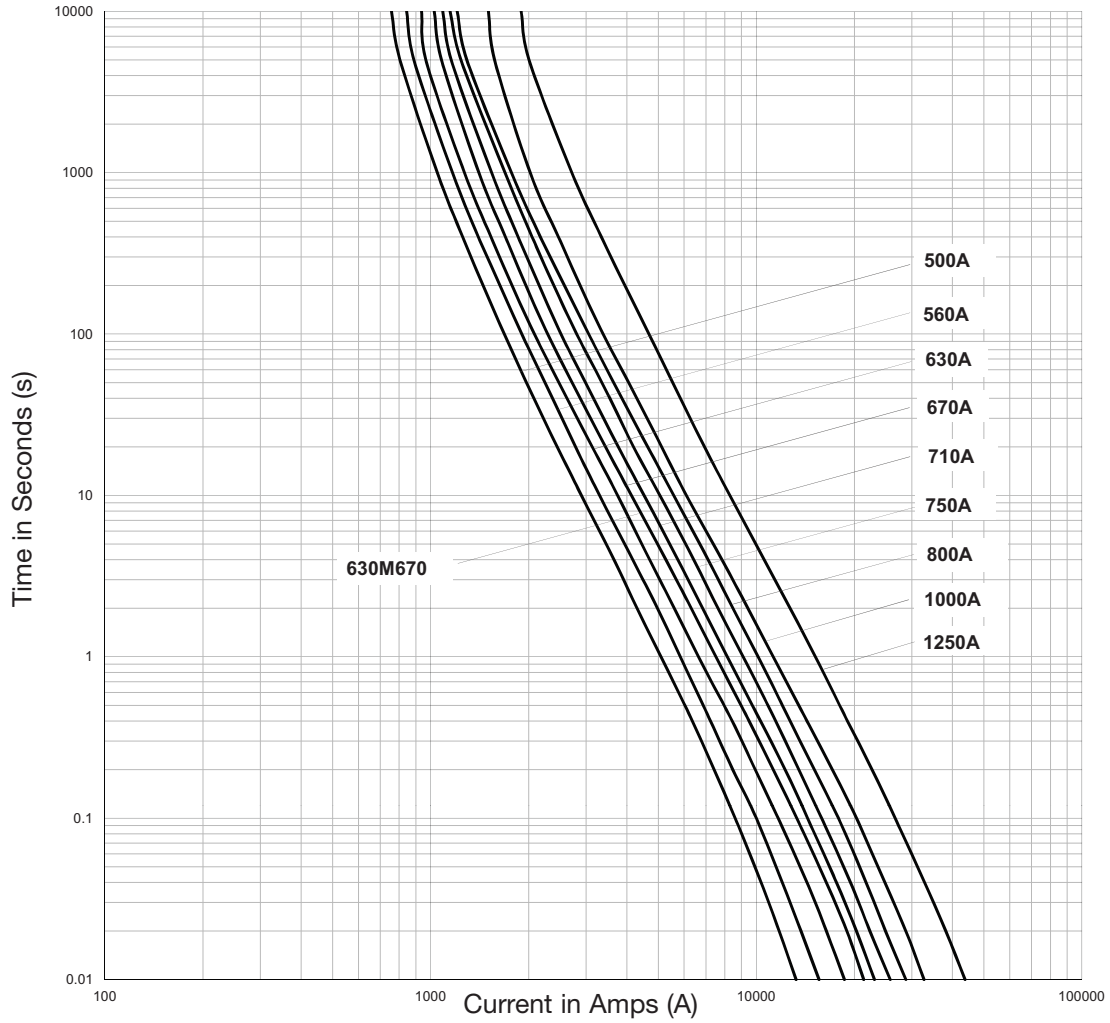
Size B1 to B4, C1 to C3 and D1 Centre Bolted Tag Fuse Links for General Industrial Applications
80A to 1250A, 550-660-690Vac/300-350-460Vdc TC, TF, TKF, TMF, TKM, TM, TTM, TLM and TXU Red Spot Series

Time-Current Characteristics TC, TF, TKF, TKM, TMF, TM and TTM



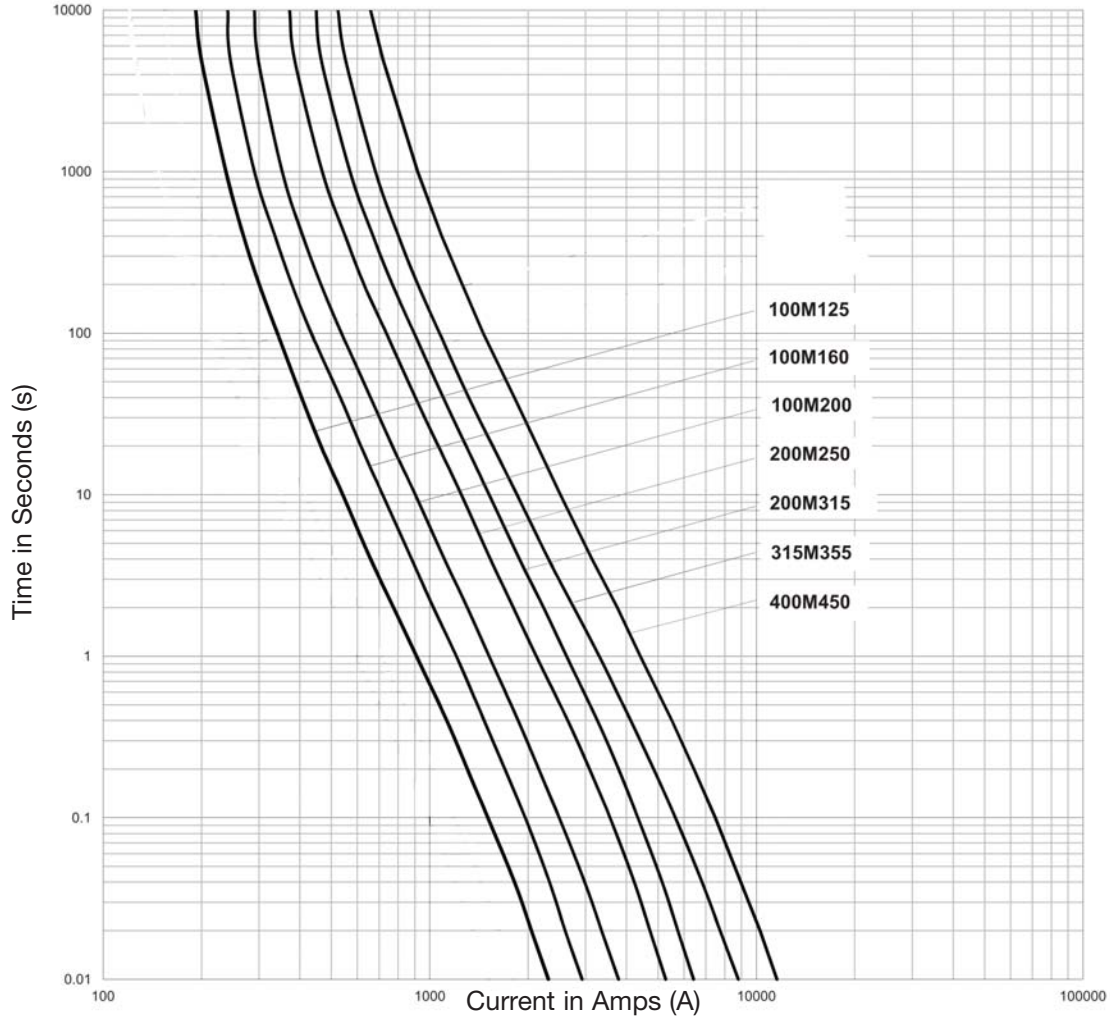
Size B1 to B4, C1 to C3 and D1 Centre Bolted Tag Fuse Links for General Industrial Applications
80A to 1250A, 550-660-690Vac/300-350-460Vdc TC, TF, TKF, TMF, TKM, TM, TTM, TLM and TXU Red Spot Series

Time-Current Characteristics TTM, TLM and TXU



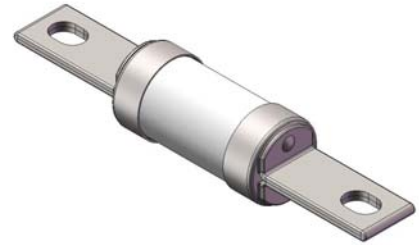
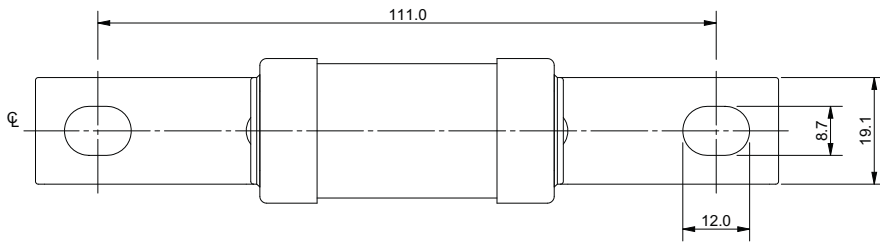
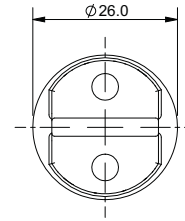
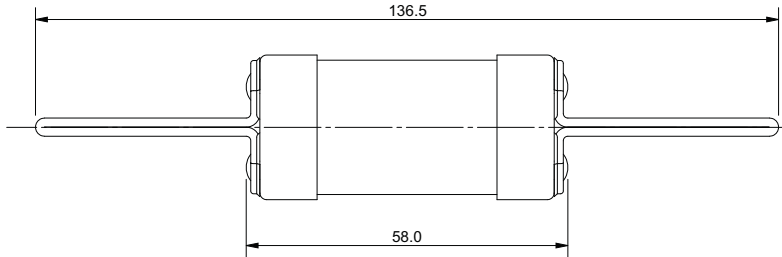
Size B1 to B4, C1 to C3 and D1 Centre Bolted Tag Fuse Links for General Industrial Applications
80A to 1250A, 550-660-690Vac/300-350-460Vdc TC, TF, TKF, TMF, TKM, TM, TTM, TLM and TXU Red Spot Series

Time-Current Characteristics TC, TF, TKF, TKM, TMF and TM

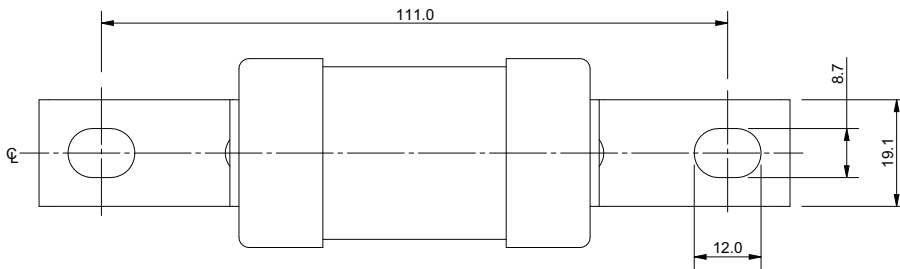
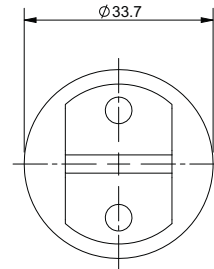
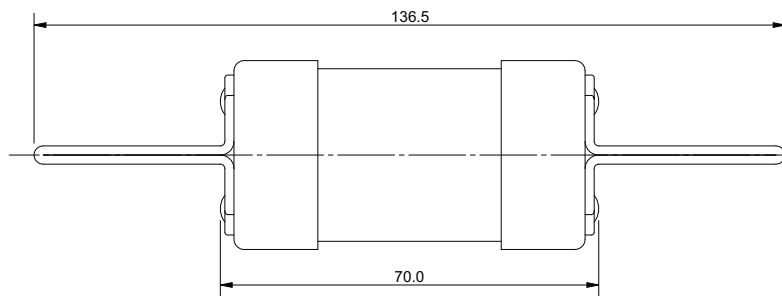


Size B1 to B4, C1 to C3 and D1 Centre Bolted Tag Fuse Links for General Industrial Applications
80A to 1250A, 550-660-690Vac/300-350-460Vdc TC, TF, TKF, TMF, TKM, TM, TTM, TLM and TXU Red Spot Series

Dimensions - mm
TC - 80 to 100M200 Amps



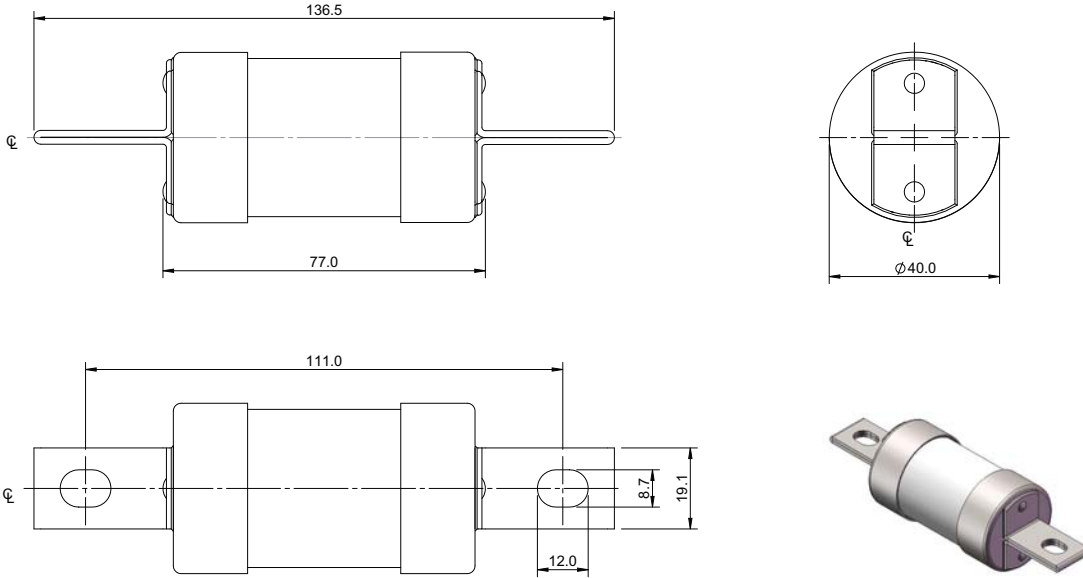
TF - 125 to 200M315 Amps



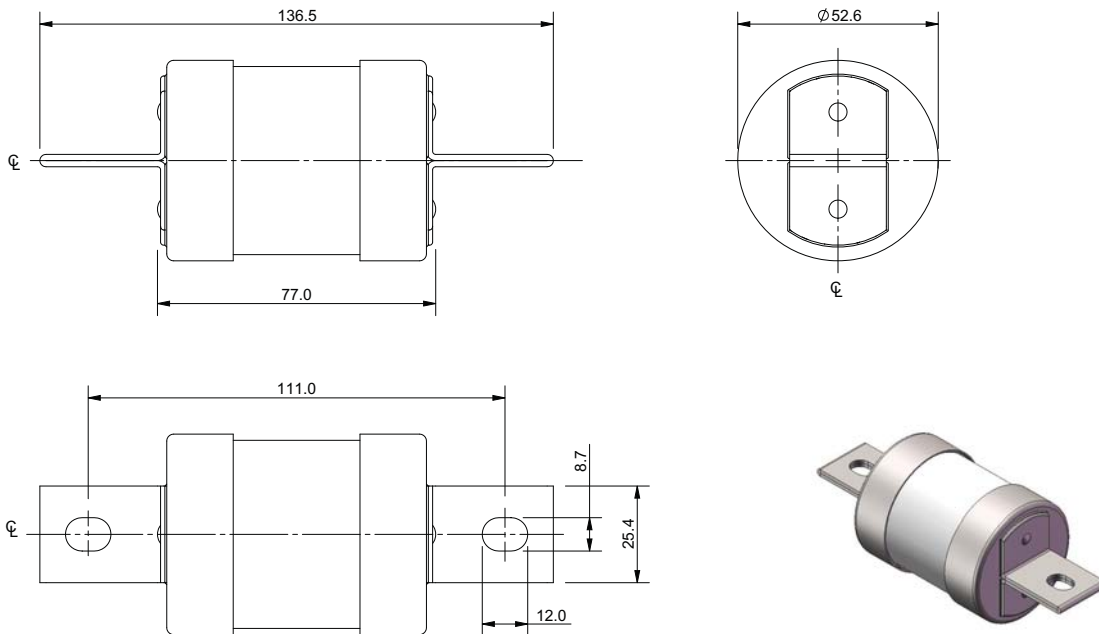
Size B1 to B4, C1 to C3 and D1 Centre Bolted Tag Fuse Links for General Industrial Applications
 80A to 1250A, 550-660-690Vac/300-350-460Vdc TC, TF, TKF, TMF, TKM, TM, TTM, TLM and TXU Red Spot Series

Dimensions - mm

TKF250 - 250 Amps

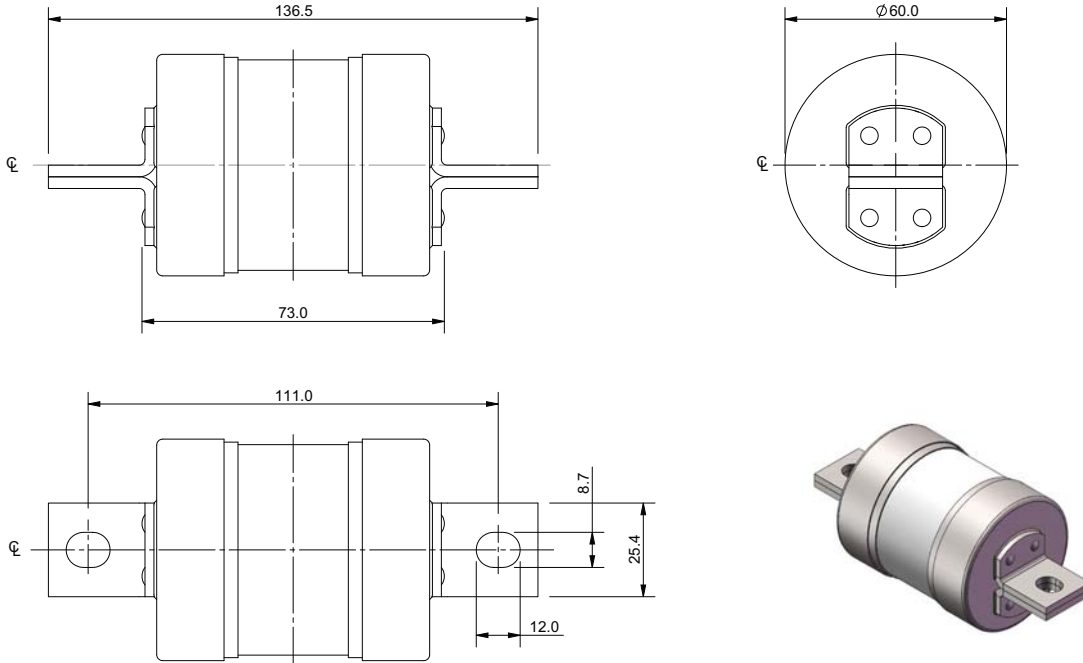


TKF315 - 315 and 315M355 Amps

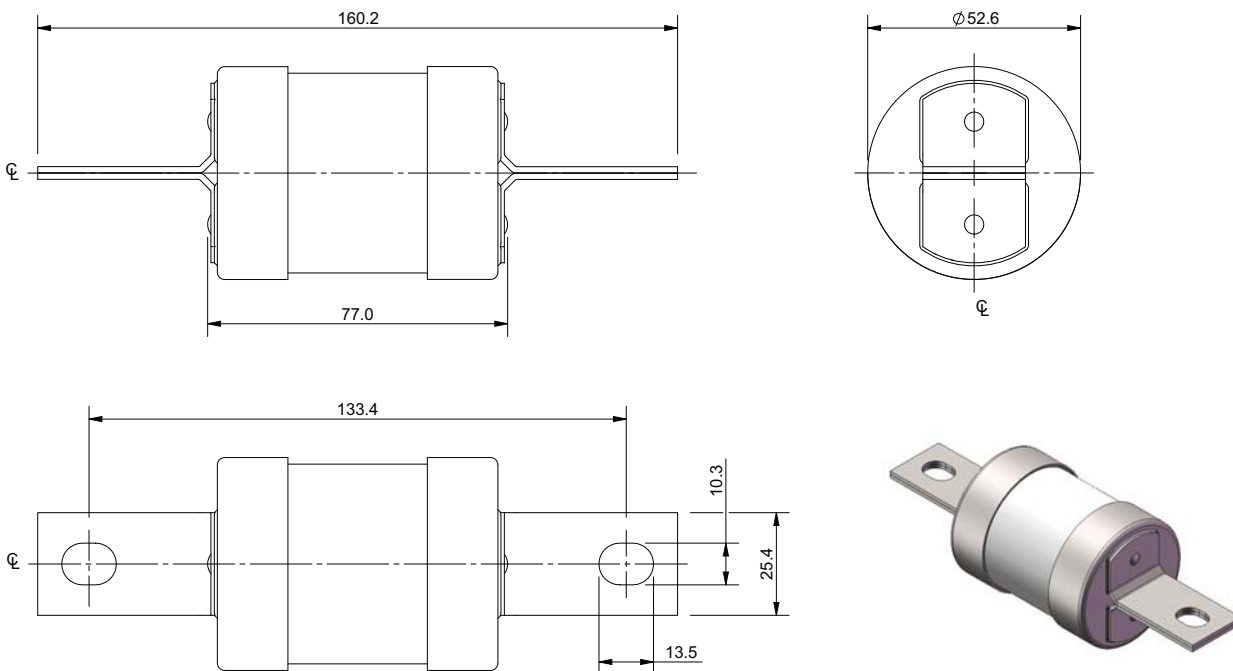


Size B1 to B4, C1 to C3 and D1 Centre Bolted Tag Fuse Links for General Industrial Applications
80A to 1250A, 550-660-690Vac/300-350-460Vdc TC, TF, TKF, TMF, TKM, TM, TTM, TLM and TXU Red Spot Series

Dimensions - mm
TMF - 355 to 400M450 Amps



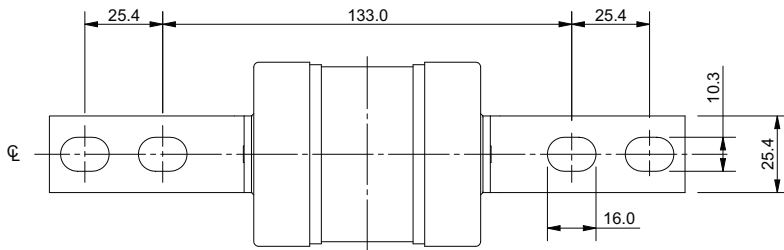
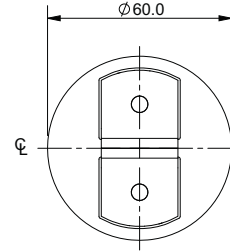
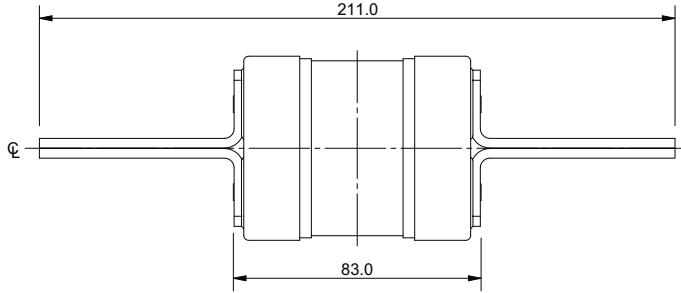
TKM - 250 to 315M355 Amps



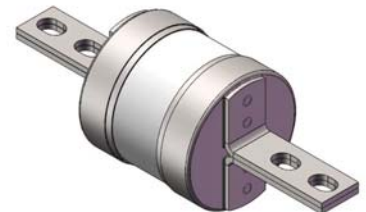
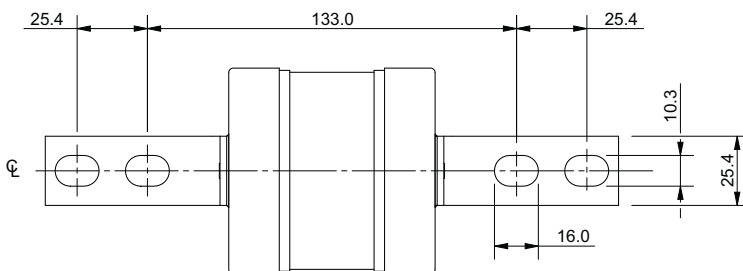
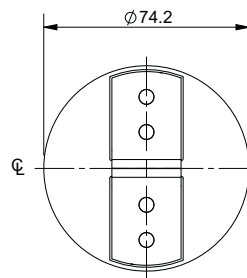
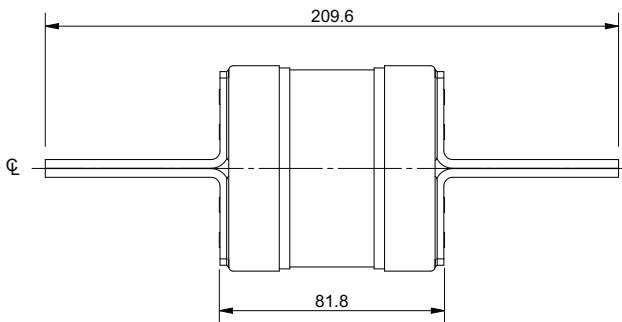
Size B1 to B4, C1 to C3 and D1 Centre Bolted Tag Fuse Links for General Industrial Applications
80A to 1250A, 550-660-690Vac/300-350-460Vdc TC, TF, TKF, TMF, TKM, TM, TTM, TLM and TXU Red Spot Series

Dimensions - mm

TM - 355 to 400M450 Amps

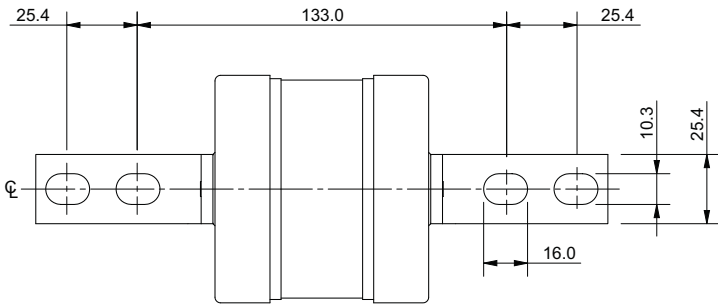
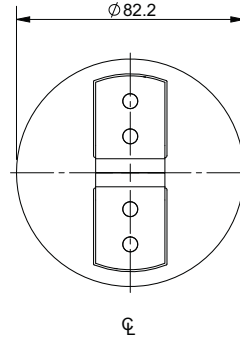
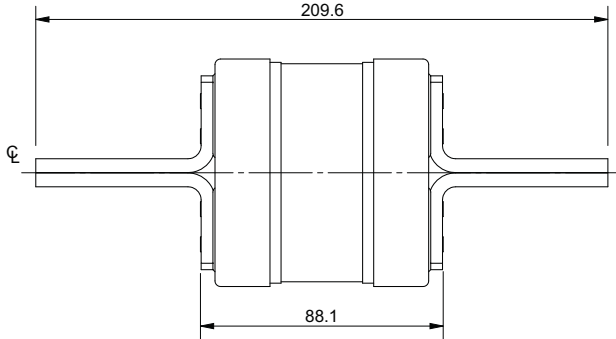


TTM - 450 to 630M670 Amps



Size B1 to B4, C1 to C3 and D1 Centre Bolted Tag Fuse Links for General Industrial Applications
80A to 1250A, 550-660-690Vac/300-350-460Vdc TC, TF, TKF, TMF, TKM, TM, TTM, TLM and TXU Red Spot Series

Dimensions - mm
TLM - 670 to 800 Amps



TXU - 1000 and 1250 Amps

