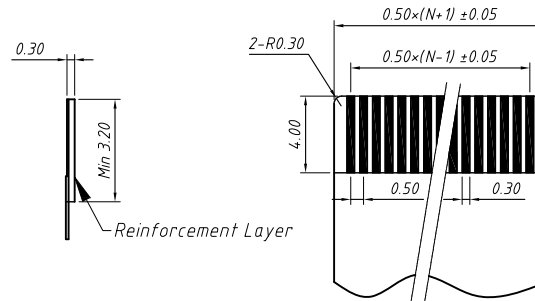
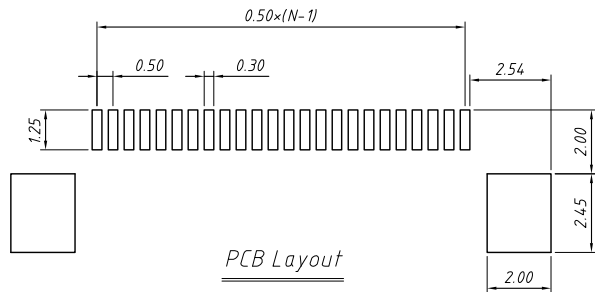


Material
 Housing:LCP UL94V-0
 Actuator:LCP UL94V-0
 Contacts:Copper Alloy
 PEG:Copper Alloy
 Contacts:Tin Over Nickel
 PEG Plating:Tin Over Nickel

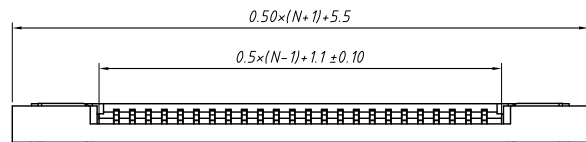
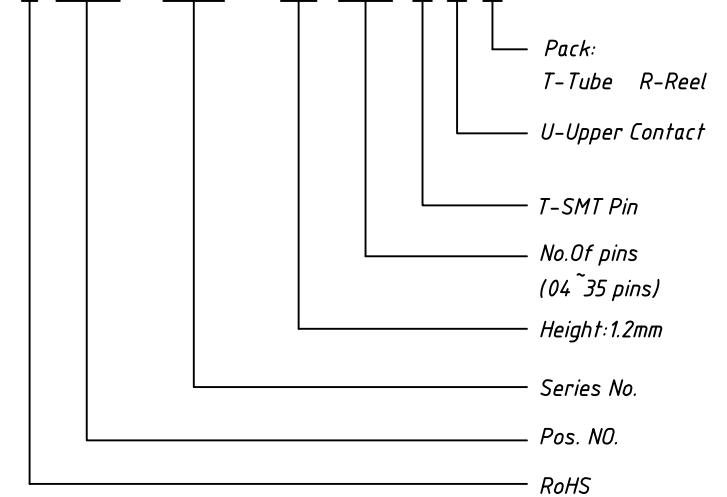
Electrical
 Voltage rating: 50 V
 Current rating: 0.3 A

Mechanical
 Temp. Range: -25 °C ~ +85 °C



Order Information

L-KLS1- 242D - 1.2- XX - T-U-R



GENERAL TOLERANCE		ANGLE TOLERANCE		PROJECTION	Description:	
X	±0.15	X	±5°	UNITS	CONN FFC 0.50mm,SMD, Horizontal, Upper Contact ,with ZIF L-KLS1-242D-1.2-XX-T-U-R	
.X	±0.03	.X	±3°	SHEET SIZE		A4
.XX	±0.05	.XX	±2°	KLS P/N:		

Draw by: Date	2018-03-10
Check by:: Date	2018-03-10
SCALE	SHEET OF

KLS
 NingBo KLS ELECTRONIC CO.,LTD.

1 2 3 4 5 6 7 8

A

B

C

D

E

F

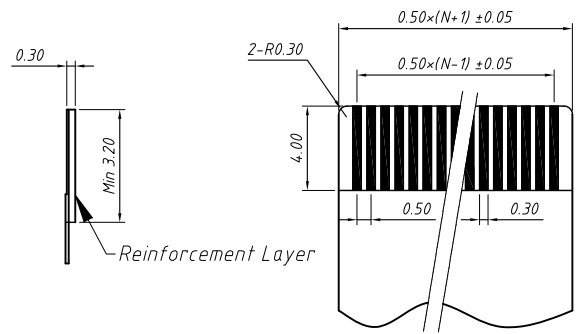
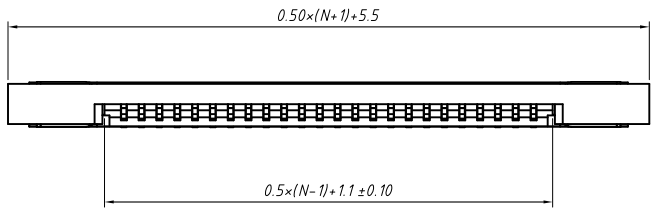
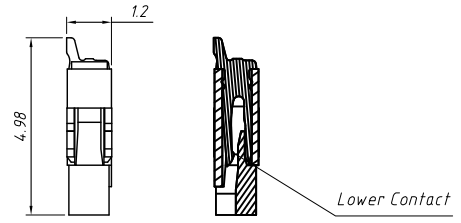
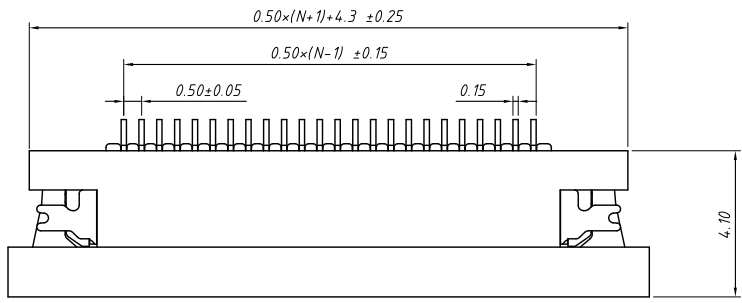
G

H

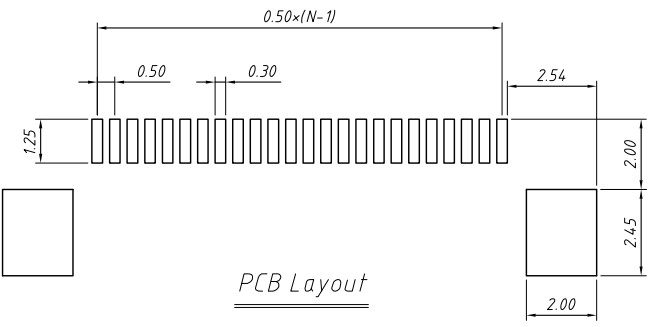
Material
 Housing:LCP UL94V-0
 Actuator:LCP UL94V-0
 Contacts:Copper Alloy
 PEG:Copper Alloy
 Contacts: Tin Over Nickel
 PEG Plating: Tin Over Nickel

Electrical
 Voltage rating: 50 V
 Current rating: 0.3 A

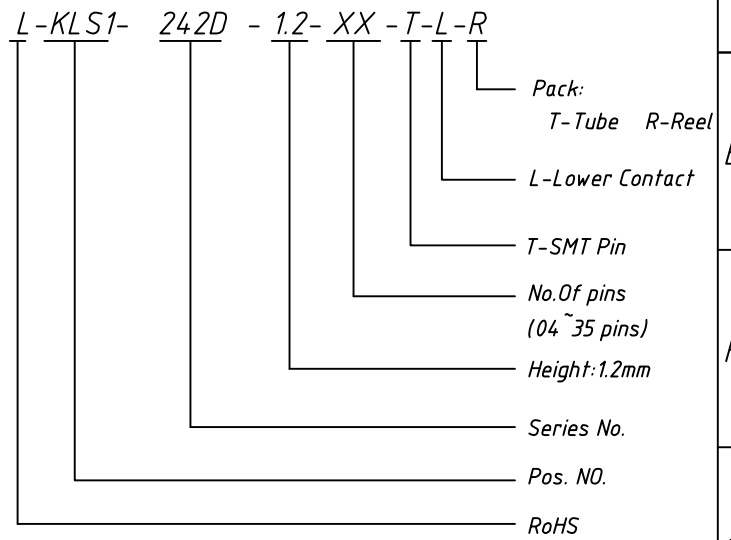
Mechanical
 Temp. Range: -25 °C ~ +85 °C



Recommended FPC Dimension



Order Information



GENERAL TOLERANCE		ANGLE TOLERANCE		PROJECTION		Description:	
X	±0.15	X	±5°	UNITS	mm	CONN FFC 0.50mm,SMD, Horizontal,Lower Contact , with ZIF	
.X	±0.03	.X	±3°	SHEET SIZE	A4		
.XX	±0.05	.XX	±2°	KLS P/N:			
Draw by: Date				2018-03-10		L-KLS1-242D-1.2-XX-T-L-R	
Check by: Date				2018-03-10			
SCALE		SHEET		OF			

KLS
 NingBo KLS ELECTRONIC CO.,LTD.

1 2 3 4 5 6 7 8