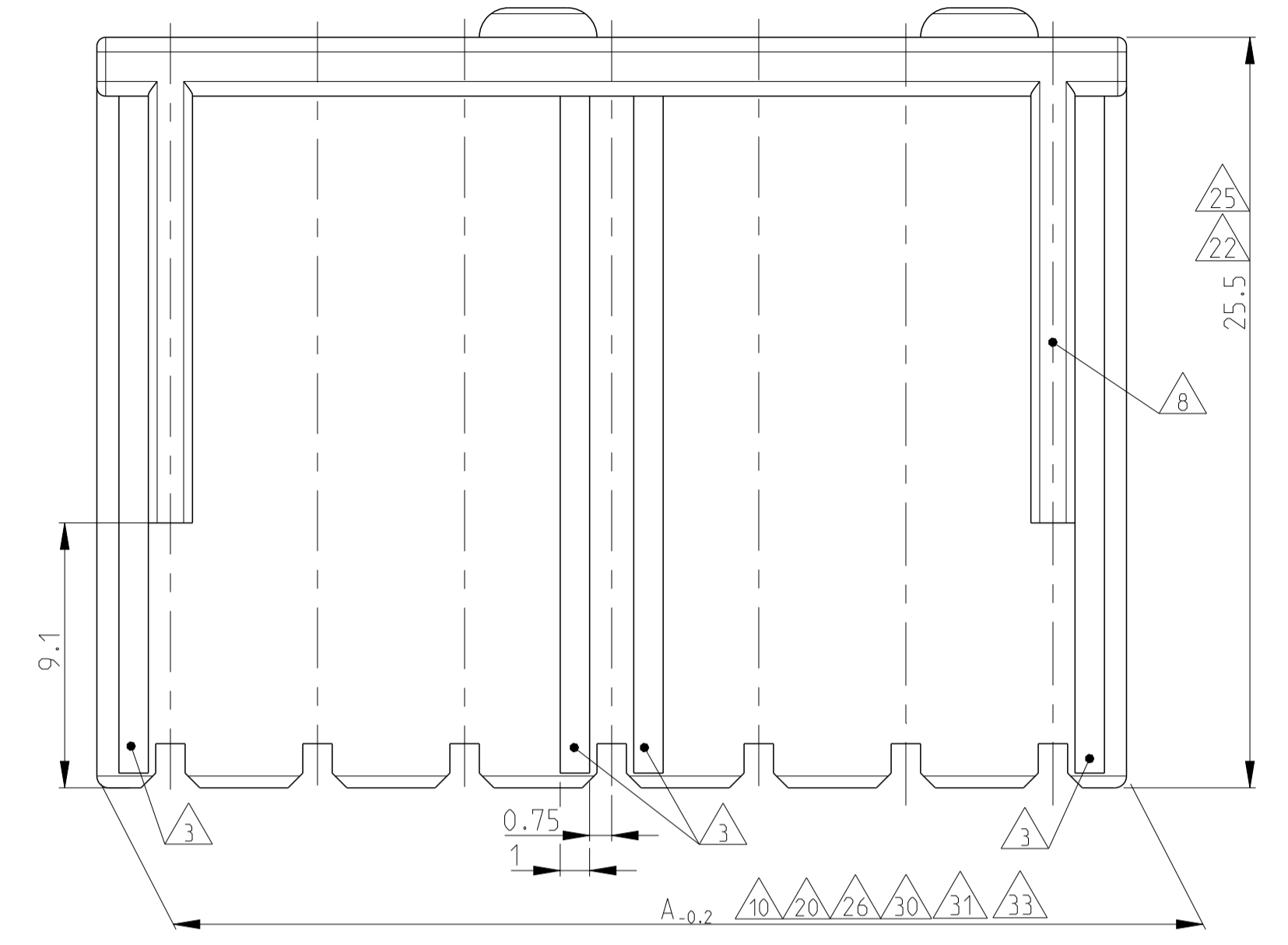
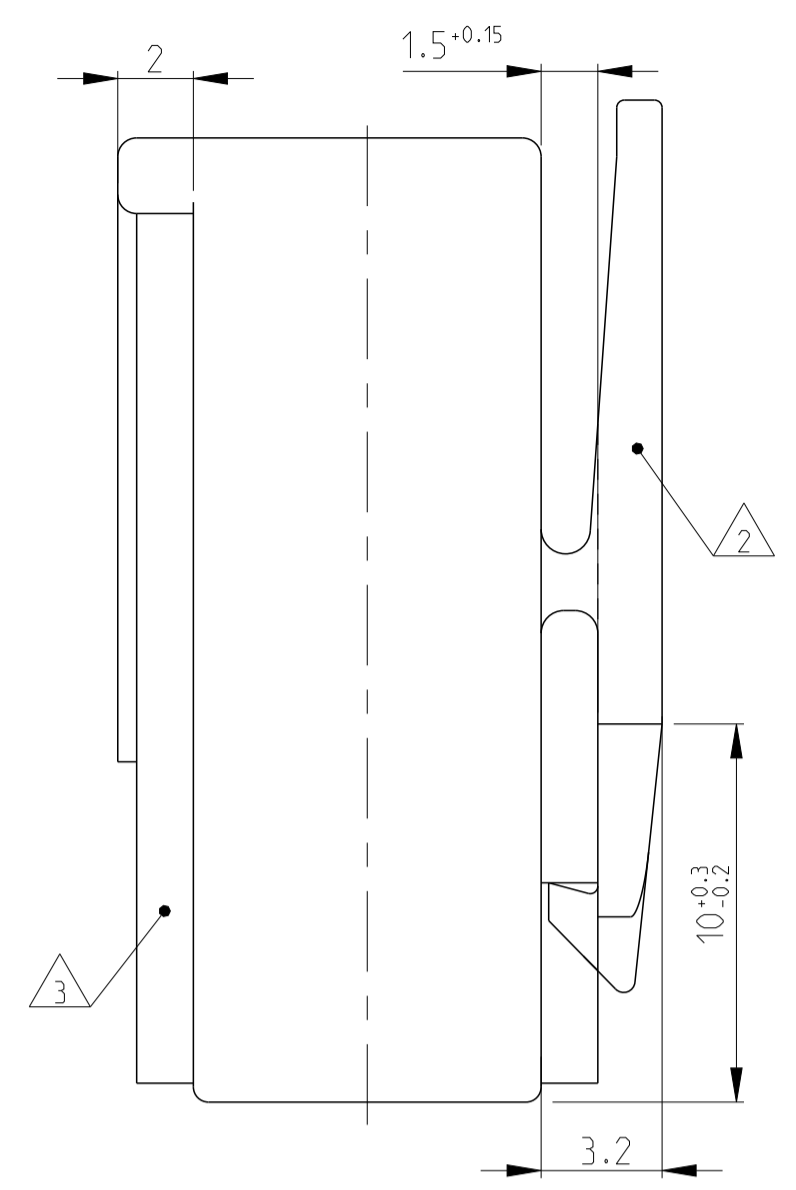
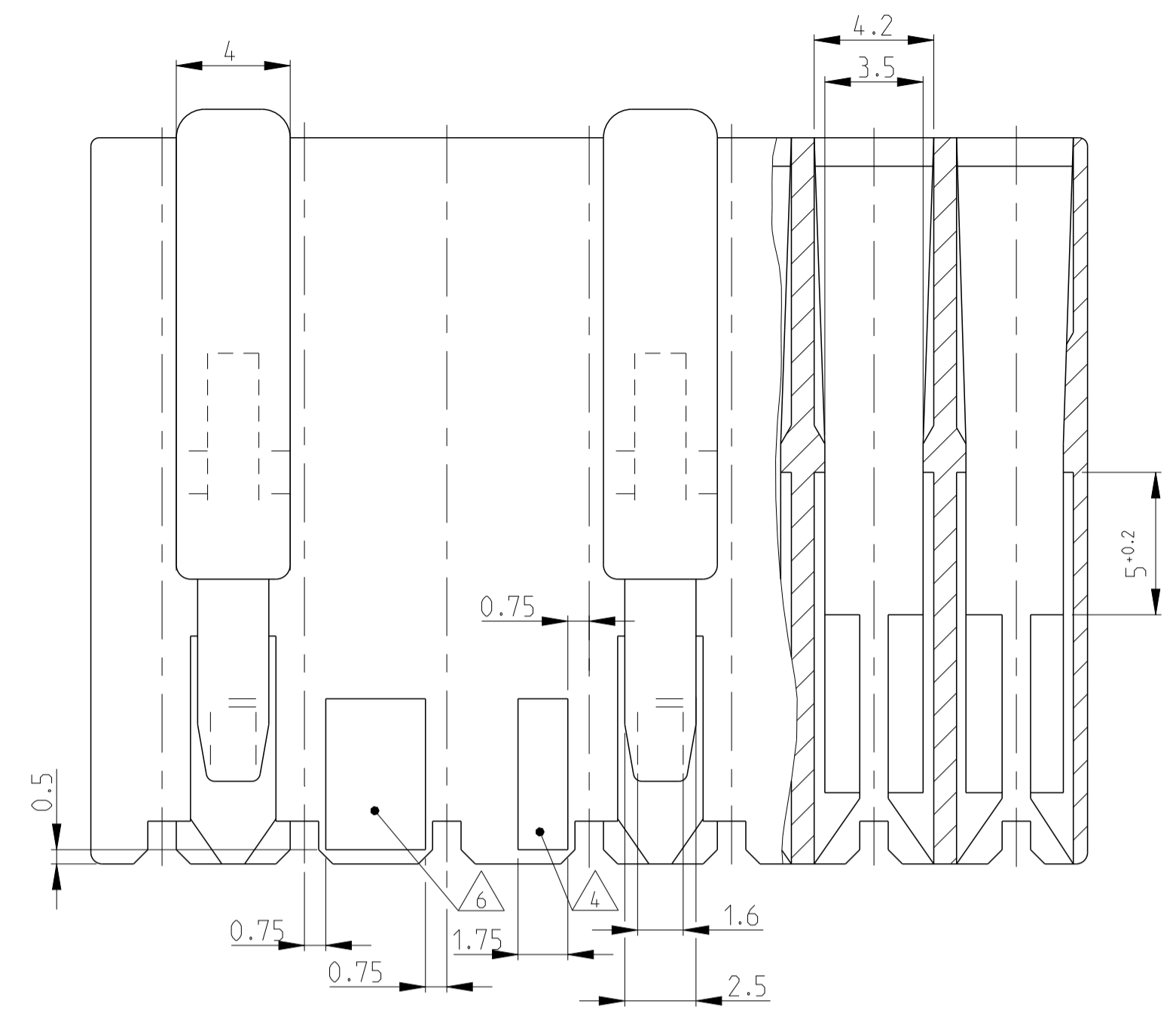
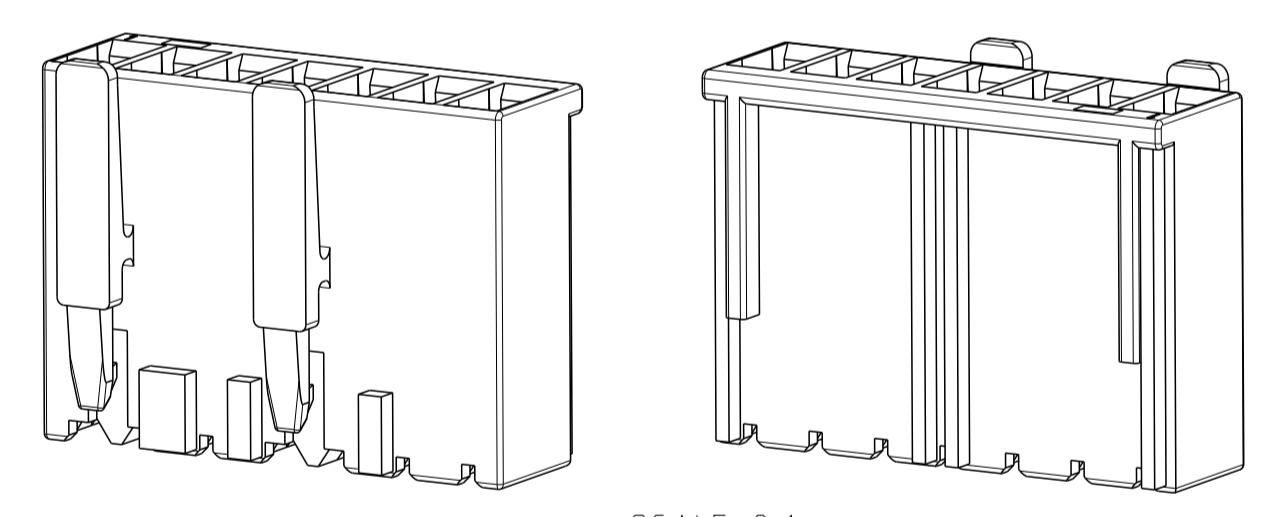
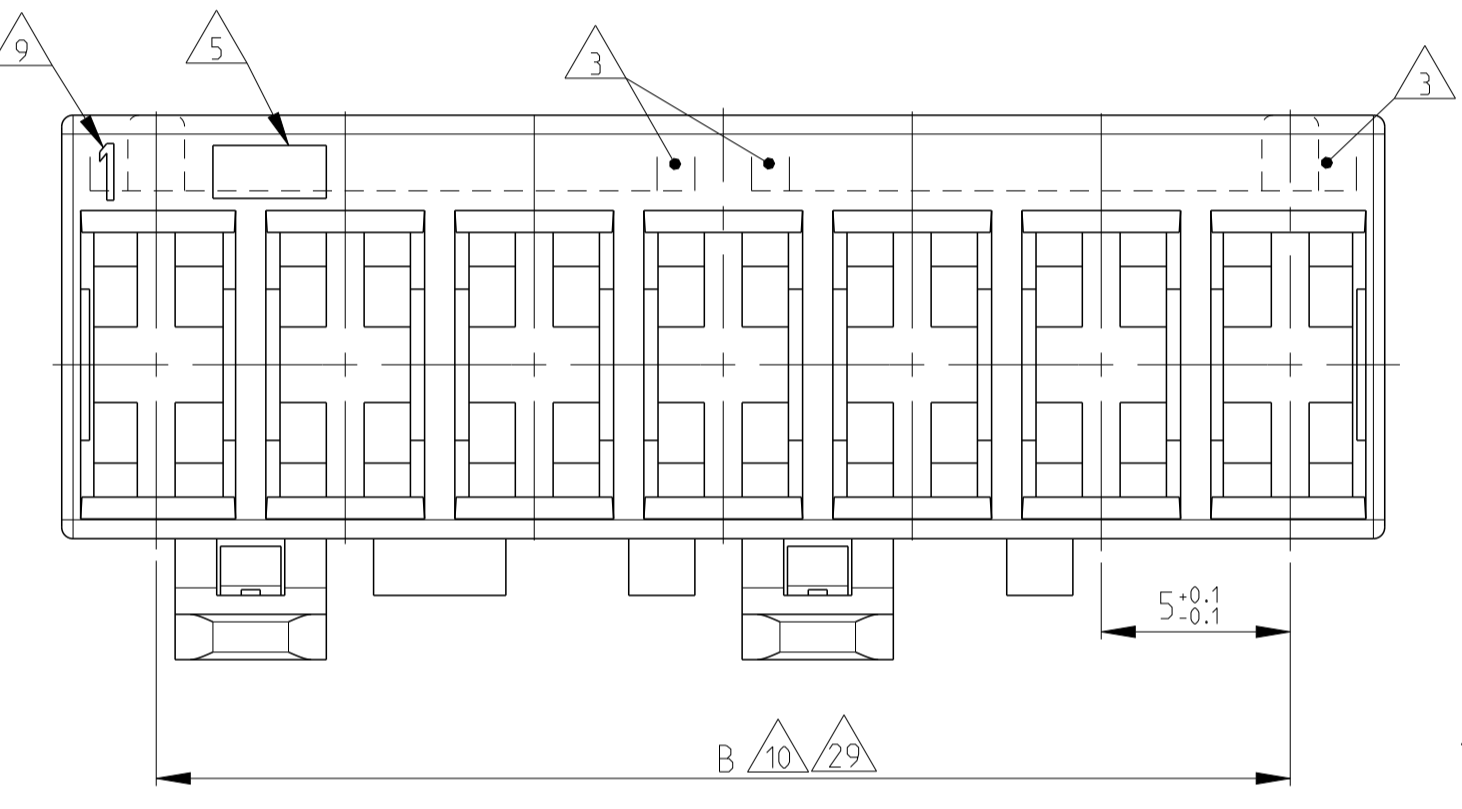
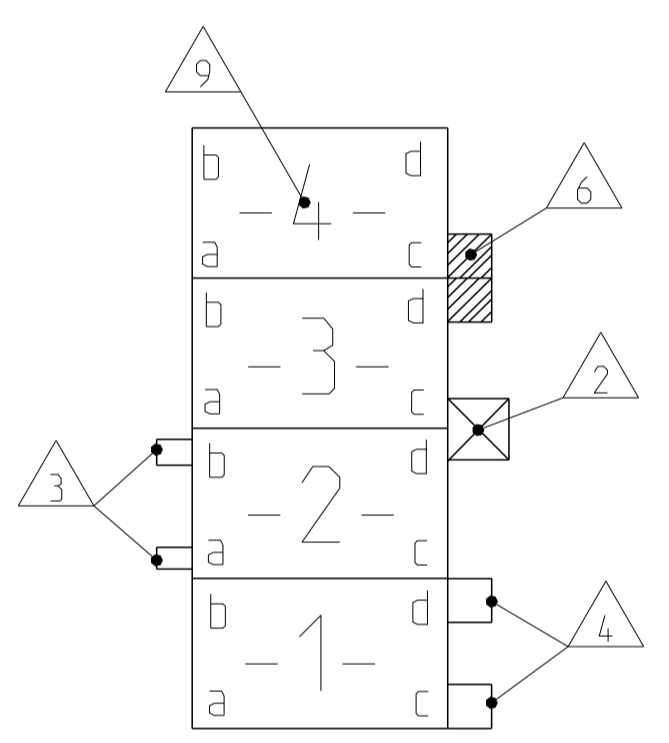
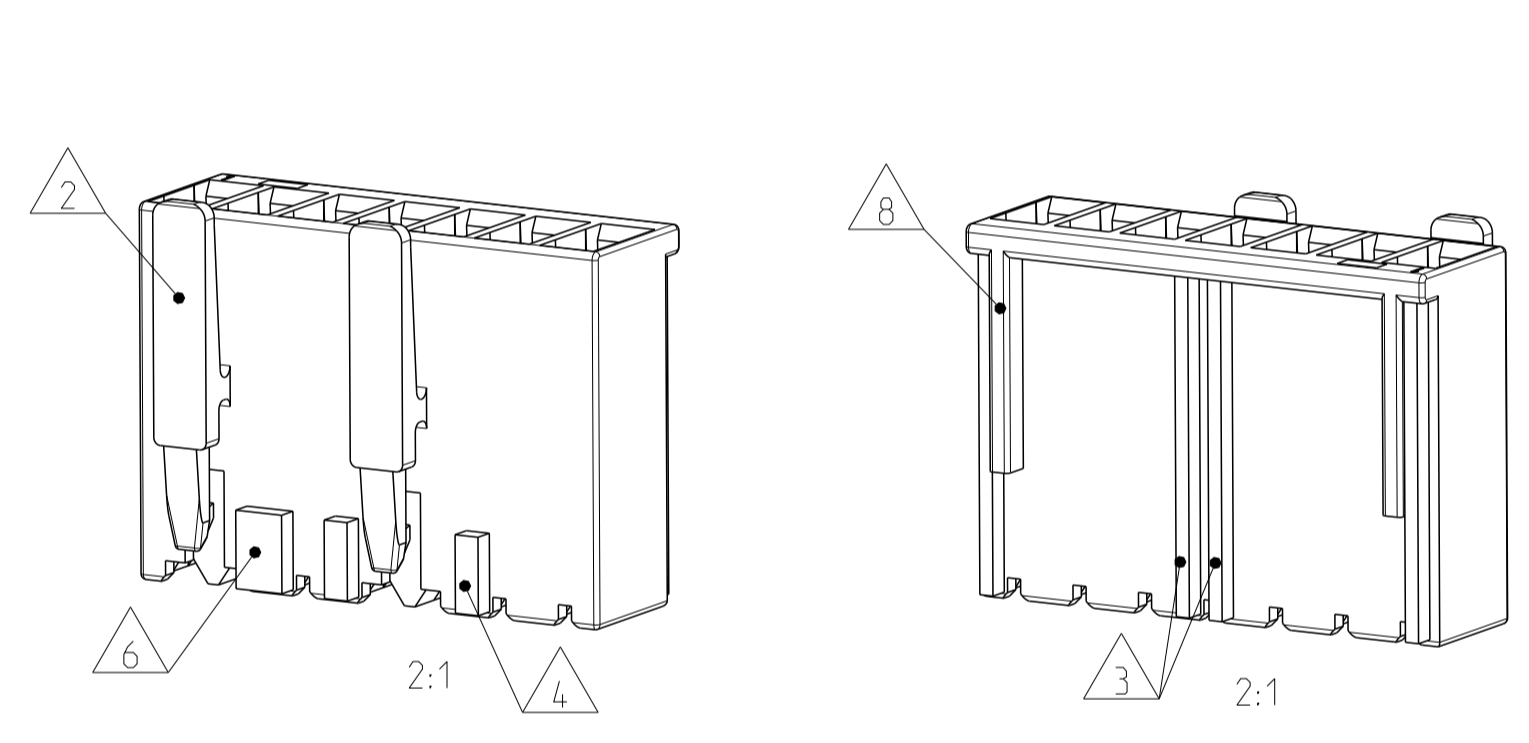


LOC	DIST	REV	DATE	BY	APPV
A1	-				
B54	ECR-21-103933		14 JUN 2021	PJ	FL
B55	ECR-21-124787		23 DEC 2021	DC	FL
C	ECR-22-127722		03 FEB 2022	DC	FL
C1	ECR-22-137065		09 APR 2022	SM	FL



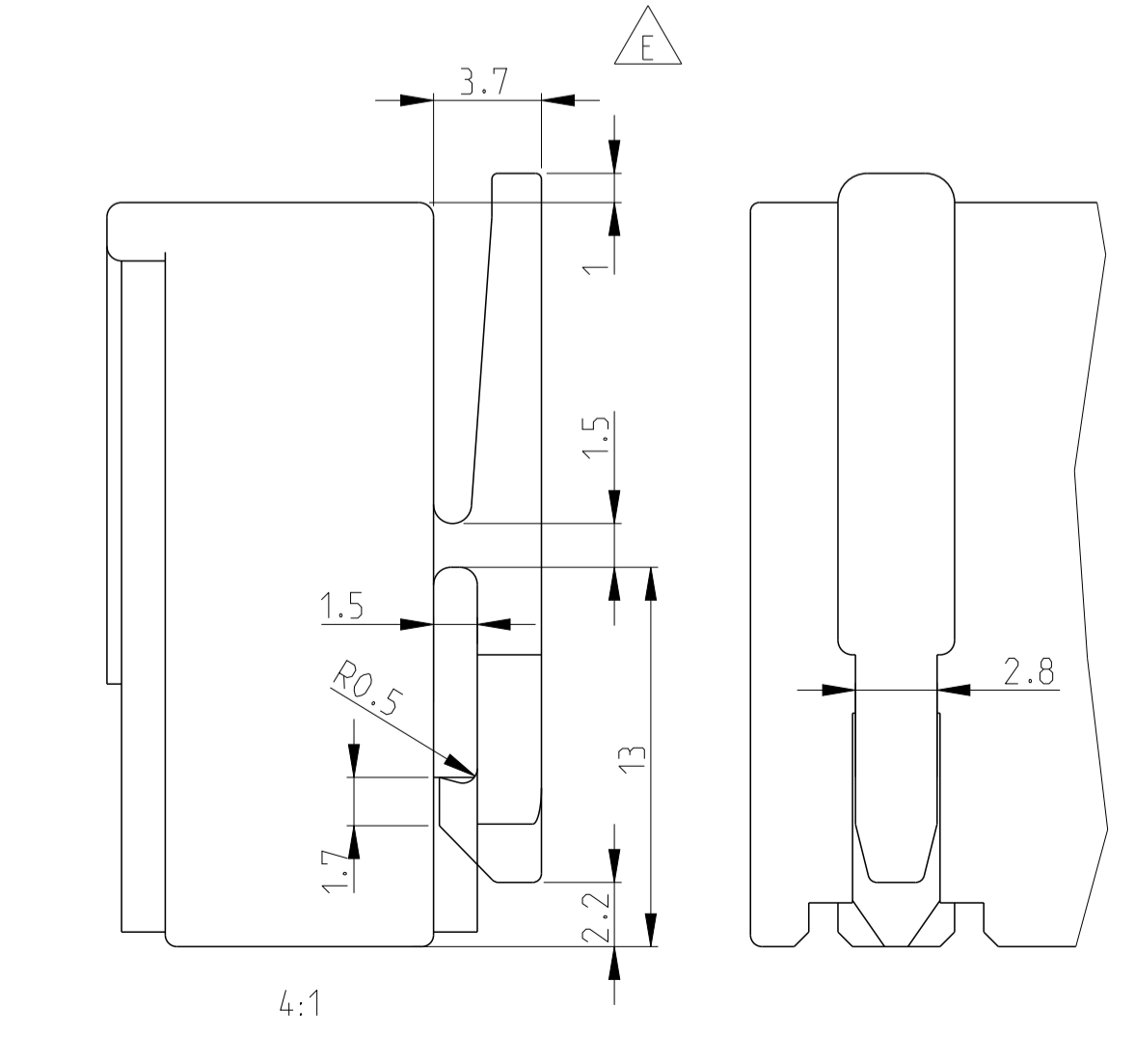
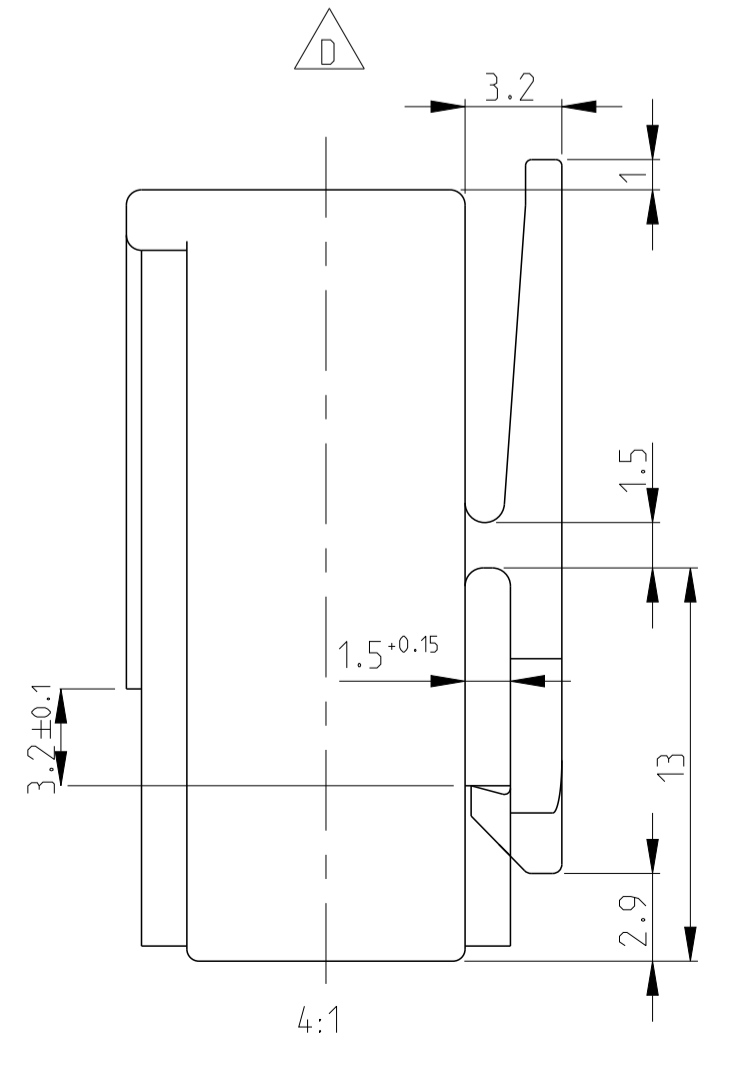
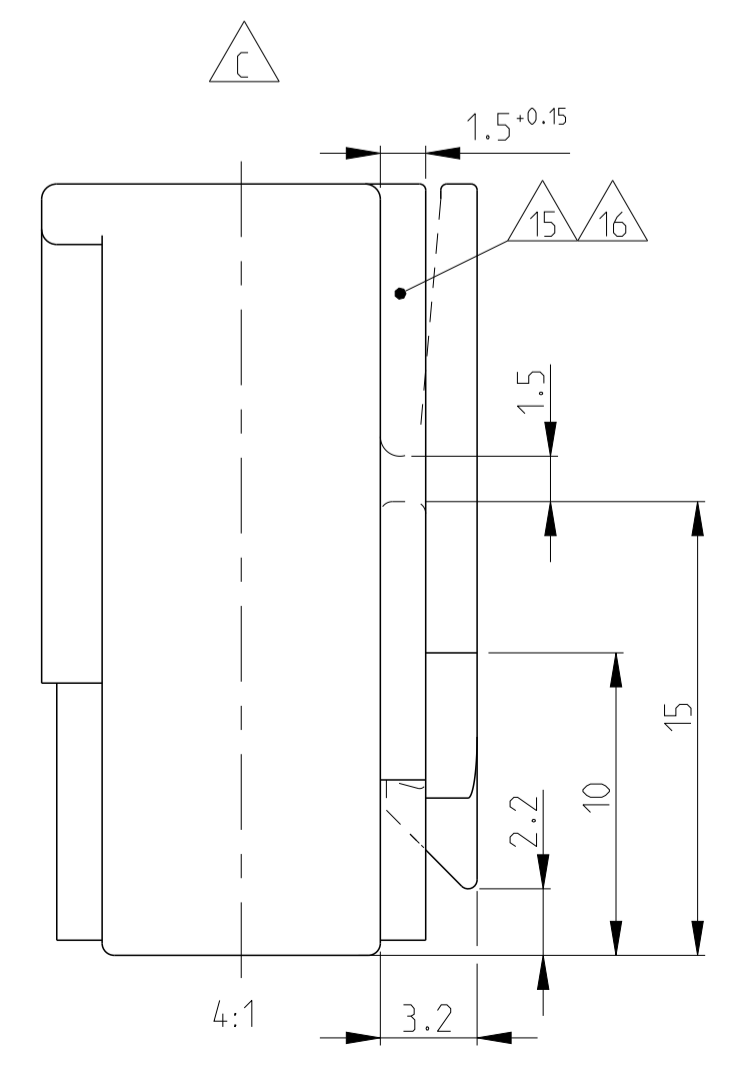
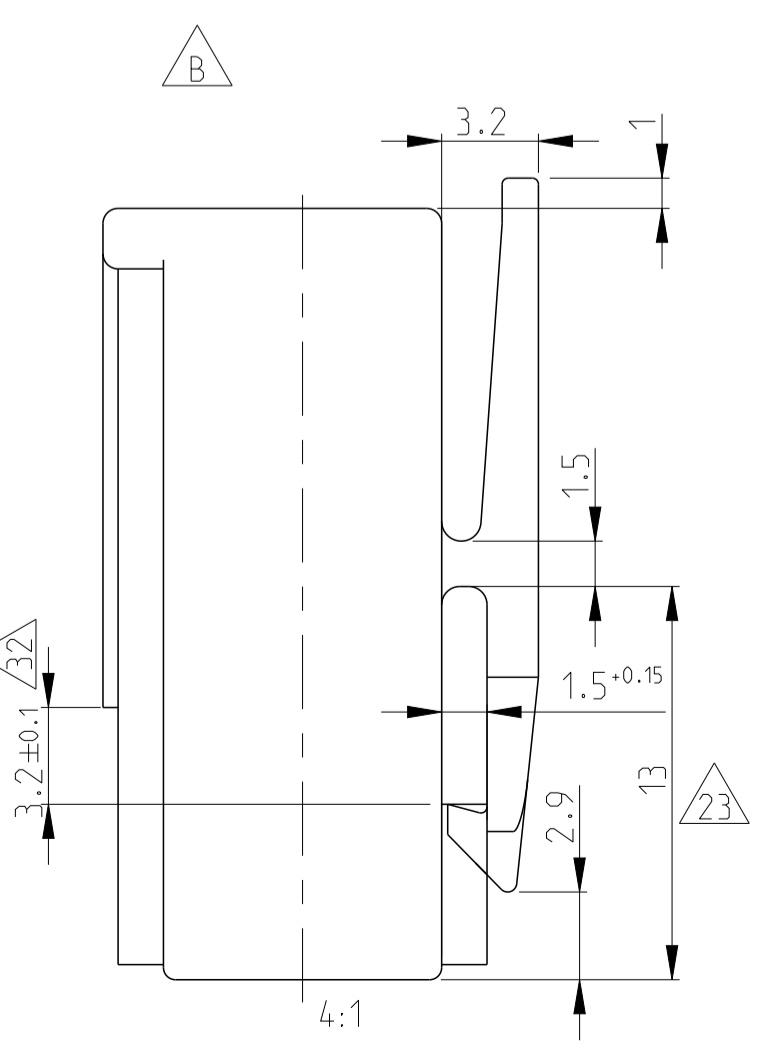
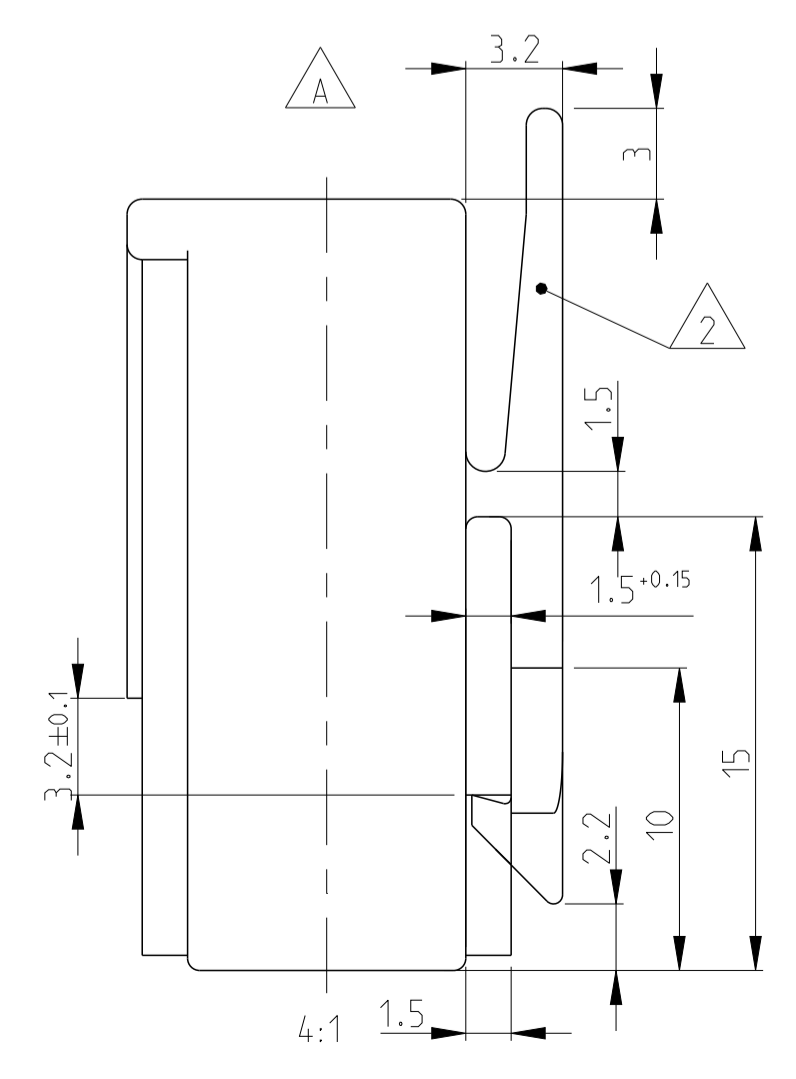
DESCRIPTION
 POSITION OF THE KEYING RIBS, POLARISATION RIBS AND THE LOCKING LATCH



SCALE 2:1

ALL OTHER DIMENSIONS ARE SAME

PAY ATTENTION!
 DIFFERENT LOCKING LATCHES



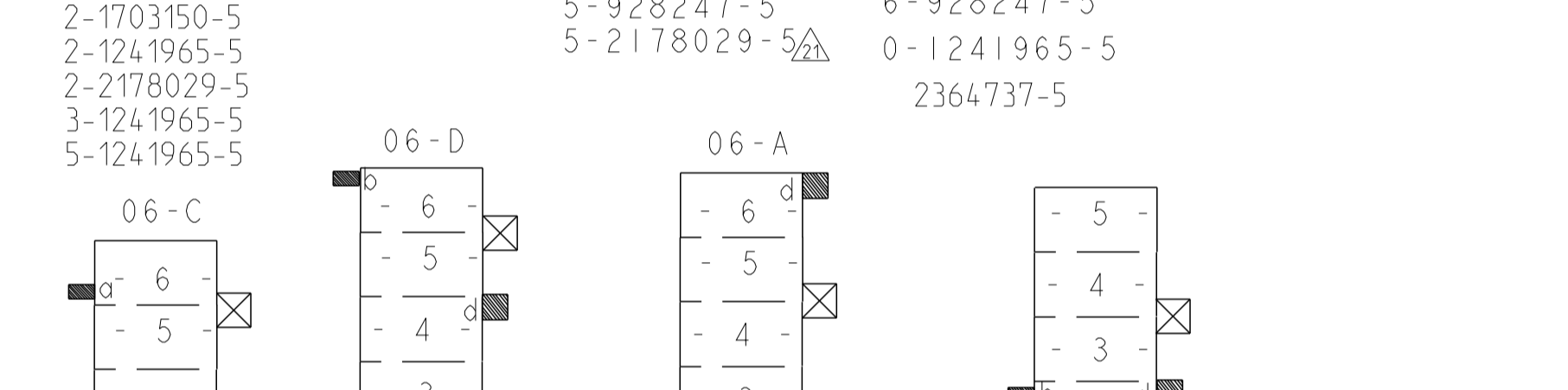
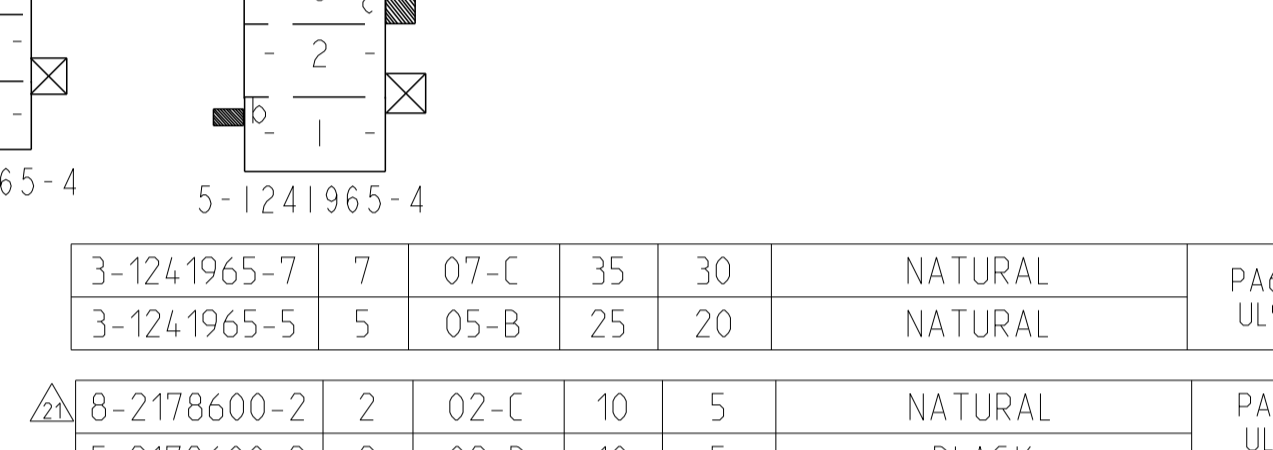
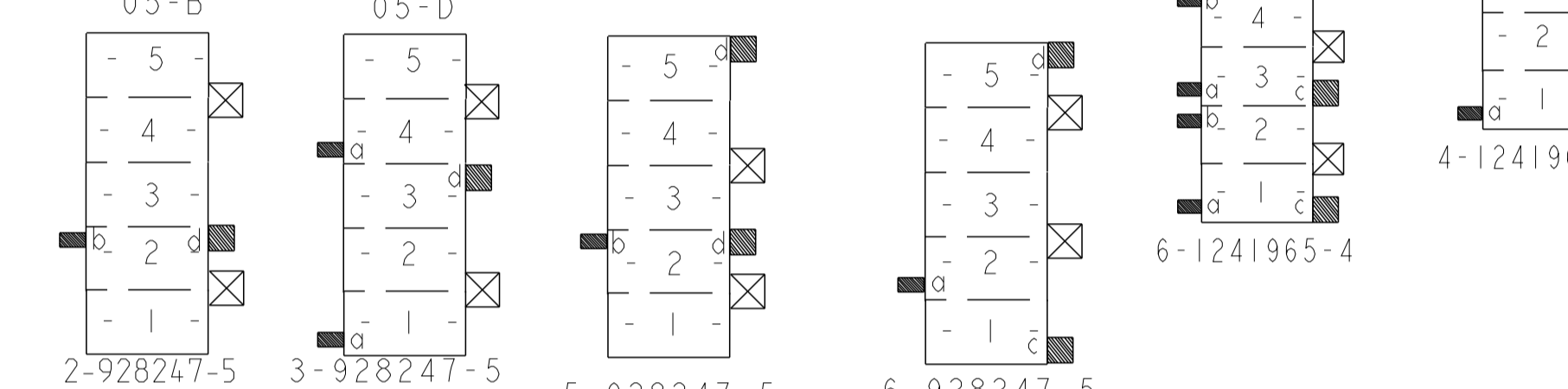
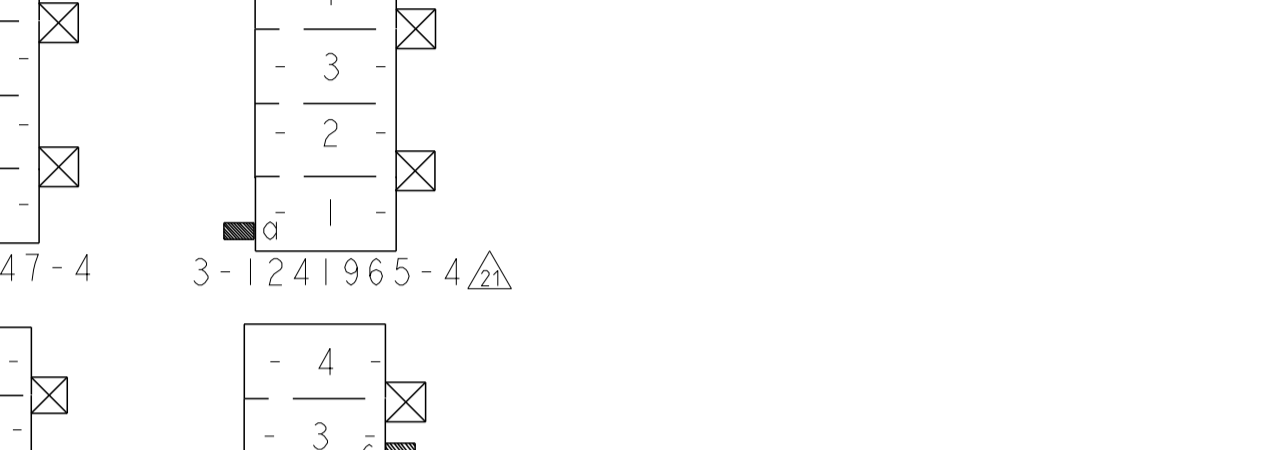
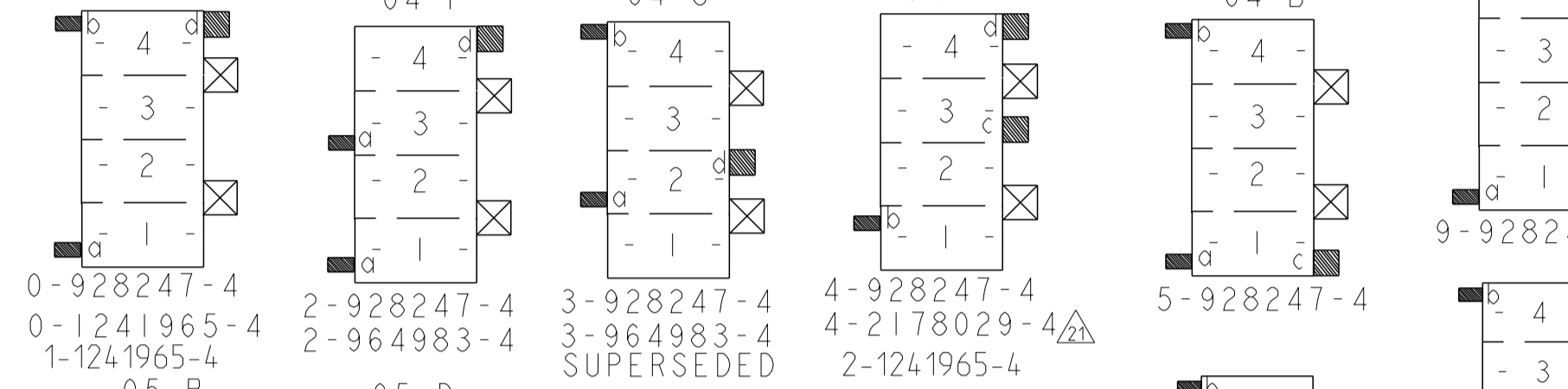
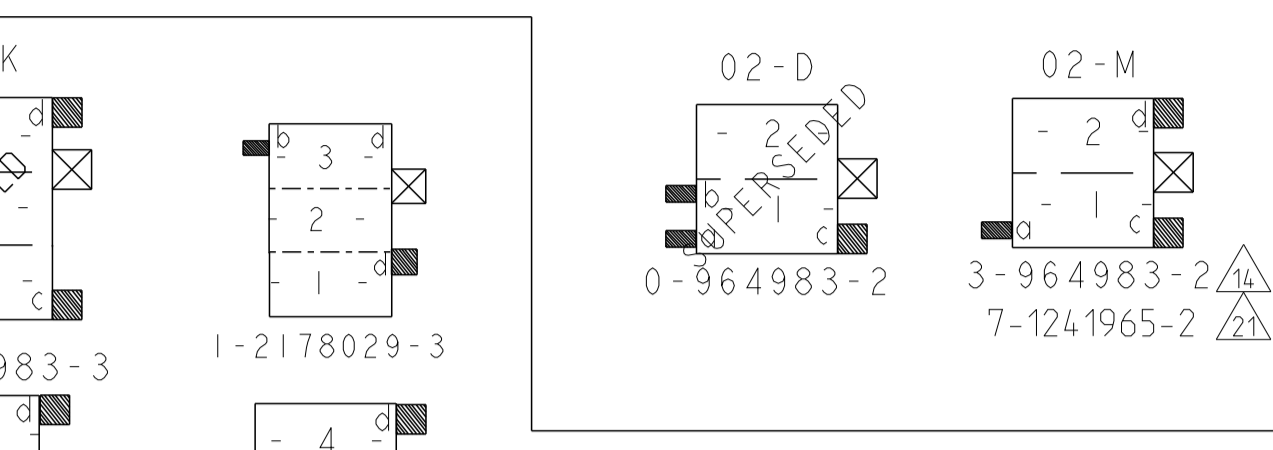
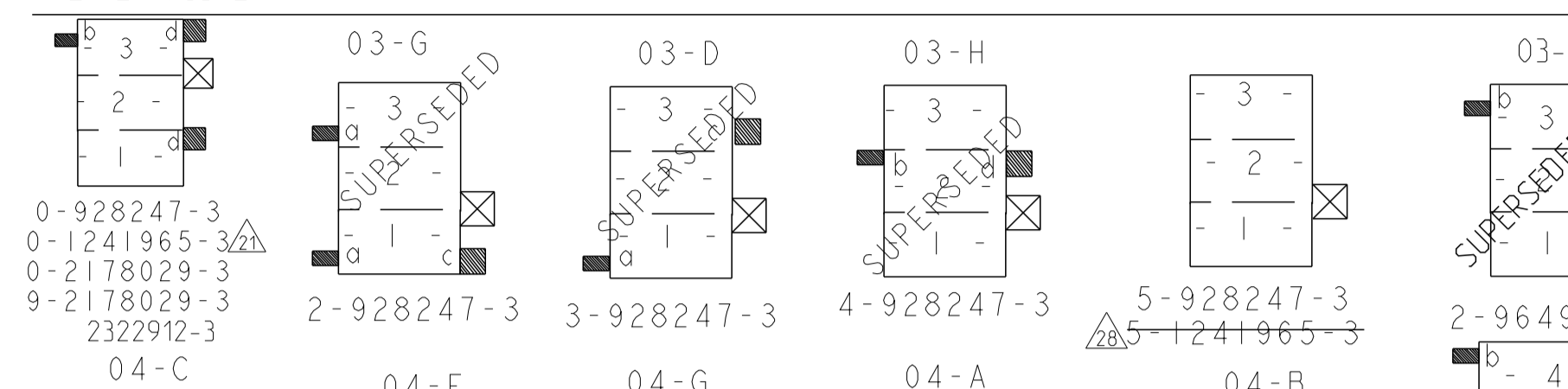
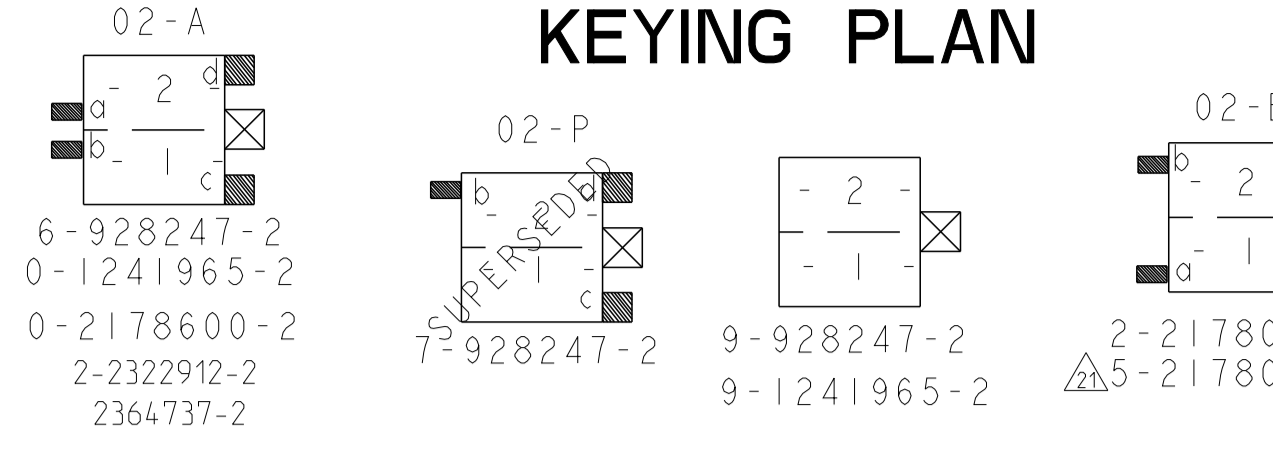
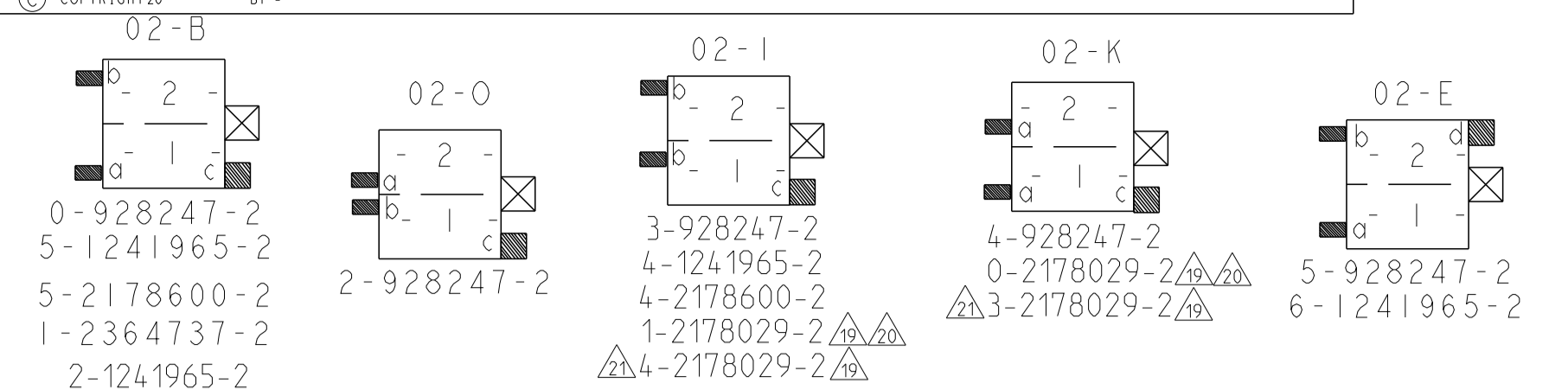
- 1 CAVITY SUITABLE TO STANDARD TIMER CONTACTS LISTED IN PROD. SPEC: 108-18049, ITEM 3.3.2
Kammer geeignet für Standard Timer Kontakte gelistet in Prod. Spec. 108-18049, Punkt 3.3.2
- 2 LOCKING LATCH BETWEEN CAVITY NO. Rasthaken zwischen Kammernummer
- 3 POLARIZATION RIB POSITION "a" OR POSITION "b", AT CAVITY NO..
Polarisierungsrippen (Lage "a") oder (Lage "b") versetzt bei Kammer Nr
- 4 KEYING RIB POSITION "c" OR POSITION "d", AT CAVITY NO..
Kodierungsrippen nach unten (Lage "c") oder oben (Lage "d") versetzt bei Kammernummer
- 5 AREA FOR TE LOGO ACC. TO SPEC 202-36
Bereich für TE Logo nach Spec. 202-36
- 6 WIDTH KEYING RIB BETWEEN CAVITY NO. Breite Kodierrippe zwischen Kammer Nr.
- 7 SUITABLE TO TAB 6.3x0.8mm AND 4.8x0.8mm ACCORDING TO DIN 46244
Geeignet für Flachstecker 6.3x0.8mm und 4.8x0.8mm nach DIN 46244
- 8 MATING STOP BETWEEN CAVITY NO.1 AND 2, ALSO BETWEEN THE LAST AND THE LAST BUT ONE CAVITY
Tiefenanschlag zwischen Kammer Nr.1 und 2, ebenfalls zwischen der letzten und vorletzten Kammer
- 9 CONTACT CAVITY NO. Kammernummer
- 10 DIMENSION A AND DIMENSION B SEE SHEET 2 OF 3
Maß A und Maß B siehe Blatt 2 von 3
- 11 MATED WITH TE CONNECTOR: SEE TABLE, SHEET 2 OF 3
Passender TE Gegenstecker: siehe Tabelle, Seite 2 von 3
- 12 GENERAL SUITABLE TAB HEADER HOUSING SEE RAST 5 PERFORMANCE
Generell passende Flachsteckerwanne, siehe RAST 5 Vorgabe
- 13 CONNECTION TO THE PC BOARD SEE DRAWING 88-9935-4
Leiterplattenanschluß siehe Zeichnung 88-9935-4
- A B SEE TABLE, SHEET 2 OF 3
C D E Siehe Tabelle, Blatt 2 von 3
- 14 MATERIAL CORRESPONDS TO THE REQUIREMENT EN 60335 (INCL. GLOW WIRE TEST 750°C WITHOUT FLAME)
- 15 WIRE TANGLING PROTECTION
- 16 WIRE TANGLING PROTECTION IN COMBINATION WITH CODING RIBS, ONLY VALID FOR VERSIONS 5-964702-3, 0-964702-3, 0-964702-1
- 17 KEYING ACC. TO RAST-5 STANDARD; COLOUR IS DIFFERENT
- 18 8 POS. SPECIAL VERSION WITH SWAGED KEYING RIB
- 19 SPECIAL MATERIAL PA66/6, UL 94 V0
- 20 DIMENSION "A" IS ACCEPTED WITHIN TOLERANCE +0.05/-0.20.
- 21 PRELIMINARY PART- NOT YET RELEASED FOR PRODUCTION
- 22 ONLY FOR PN 2178600-2, 3-2178600-2, 4-2178600-2, 5-2178600-2, TOLERANCE IS +0.4 -0.2, WORST CASE CAN BE OUT OF RAST STANDARD.
- 23 ONLY FOR PN 2178600-2, 3-2178600-2, 4-2178600-2, 5-2178600-2, TOLERANCE IS +0.4 -0.2
- 24 ONLY FOR PN 2178600-2, 3-2178600-2, 4-2178600-2, 5-2178600-2, TOLERANCE IS ±4°
- 25 ONLY FOR PN 3-1241965-5, 3-1241965-7 TOLERANCE IS +0.3 -0.2
- 26 ONLY FOR PN 3-1241965-5, 3-1241965-7 TOLERANCE IS +0.2 -0.2
- 27 ONLY FOR PN 3-1241965-5, 3-1241965-7 TOLERANCE IS +0.05 -0.2
- 28 OBSOLETE PART
- 29 ONLY FOR 4-1241965-7, 1-2364737-1, TOLERANCE IS -0.3
- 30 ONLY FOR 4-1241965-7, TOLERANCE IS +0.2/-0.25
- 31 ONLY FOR 1-2178029-3, TOLERANCE IS +0.15/-0.2

ADDITIONAL NOTES SEE 3 OF SHEET 4

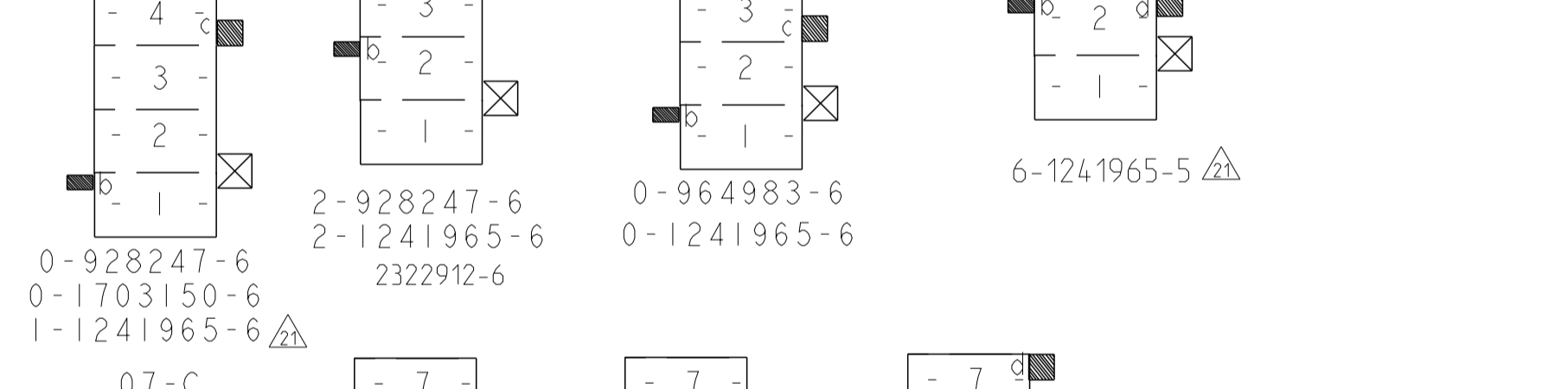
THIS DRAWING IS A CONTROLLED DOCUMENT.		OWN: Kishor M	18 JUL 2017	TE Connectivity
DIMENSIONS: mm		CHK: K. Mundz	07-NOV-06	
TOLERANCES UNLESS OTHERWISE SPECIFIED:		APVD: Th. Klenner	07-NOV-06	NAME: 2-12 POS. STANDARD TIMER HSG WITH EXTERIOR LOCKING
1-PLC ±0.1 2-PLC ±0.05 3-PLC ±0.001 ANGLES FINISH		PRODUCT SPEC: 108-18049-1	APPLICATION SPEC:	
MATERIAL: SEE TABLES	WEIGHT: -	SIZE: A1	CAGE CODE: 00779	RESTRICTED TO: -
Customer Drawing		SCALE: 5:1	SHEET: 1 of 4	REV: C1

KEYING PLAN

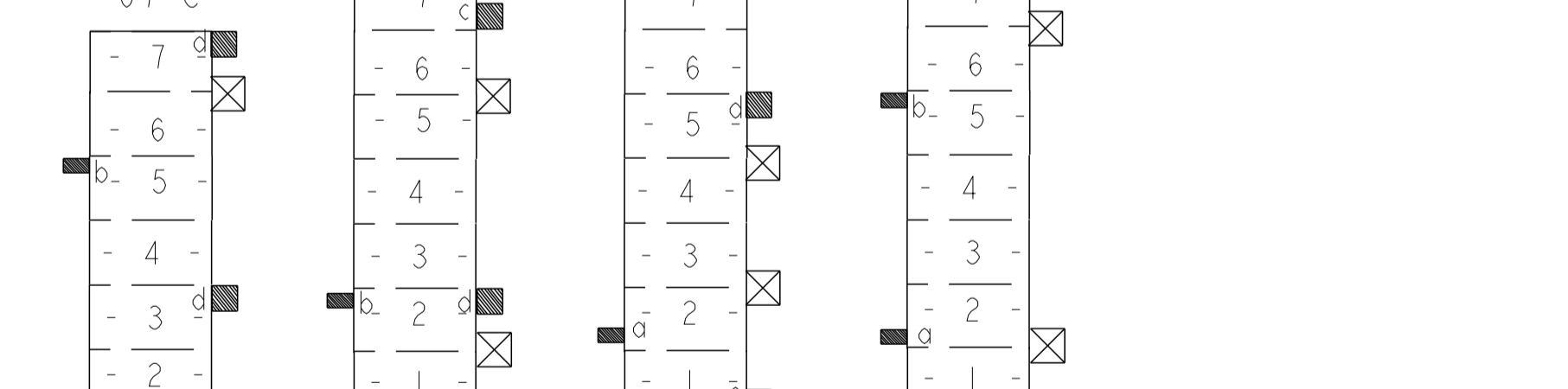
LOC	DIST	REV	DATE	BY	APPV
A1	-	1	-	-	-



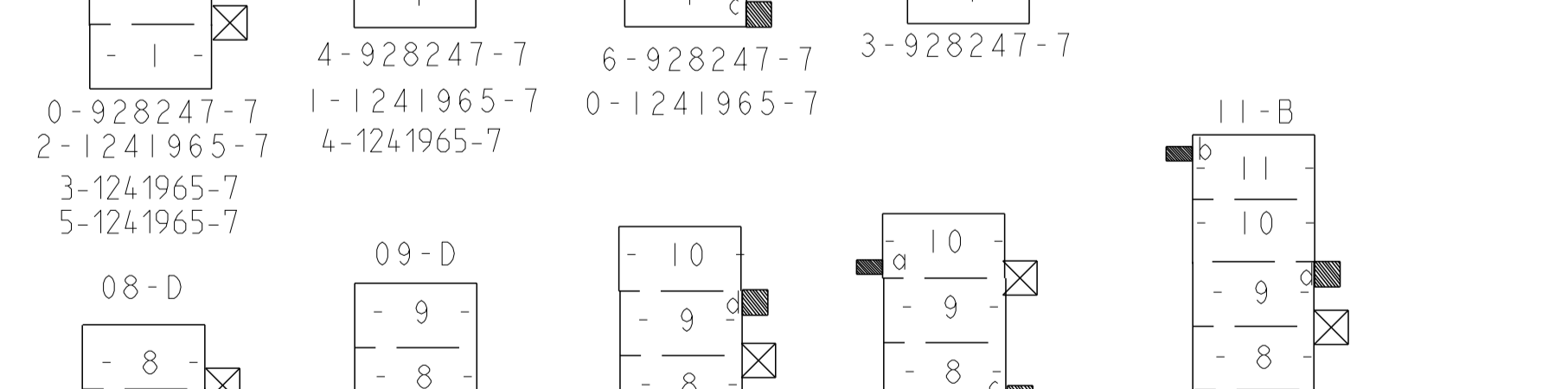
PART NO.	POS.	RAST 5	DIM A	DIM B	COLOUR	MATERIAL	LOCKING LATCH	MATED WITH
Bestell-Nr.	Pol.	Rast 5	Maß A	Maß B	Farbe		Rasthaken	Gegenstecker
3-1241965-7	7	07-C	35	30	NATURAL	PA6 GF15 UL94V-2	D	12/13
3-1241965-5	5	05-B	25	20	NATURAL	UL94V-2	D	12/13



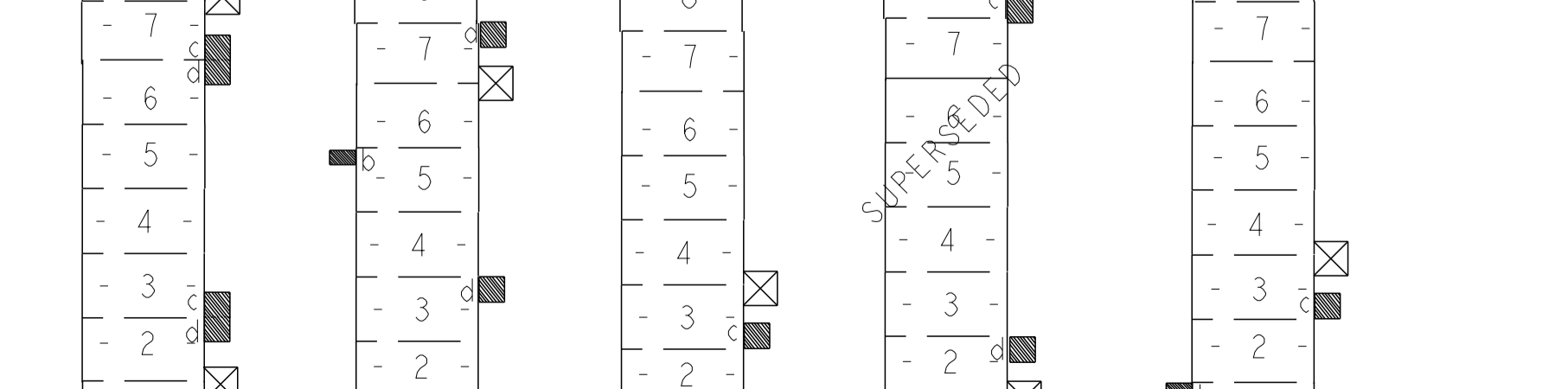
8-2178600-2	2	02-C	10	5	NATURAL	PA6 GF15 UL94V-2	B	12/13
5-2178600-2	2	02-B	10	5	BLACK	UL94V-2	B	12/13
4-2178600-2	2	02-I	10	5	RED	UL94V-2	B	12/13
3-2178600-2	2	02-G	10	5	BLUE	UL94V-2	B	12/13
0-2178600-2	2	02-A	10	5	NATURAL	UL94V-2	B	12/13



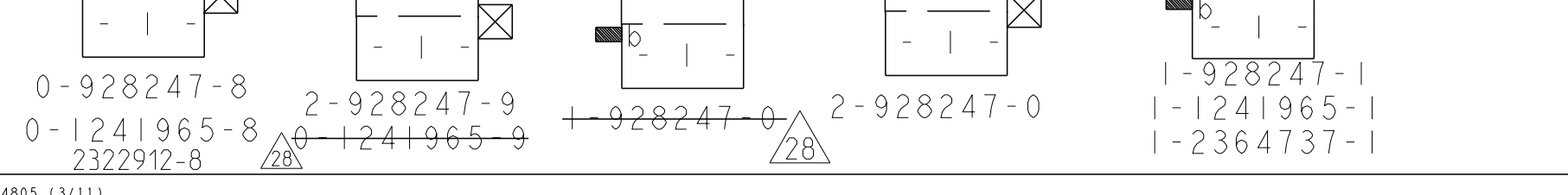
5-2178029-5	5	-	25	20	GREEN	PA66/6 UL94V-0	B	12/13
2-2178029-5	5	-	25	20	BLACK	UL94V-0	B	12/13
4-2178029-4	4	-	20	15	NATURAL	UL94V-0	B	12/13
9-2178029-3	3	-	15	10	YELLOW	UL94V-0	B	12/13
1-2178029-3	3	-	15	10	NATURAL	UL94V-0	B	12/13



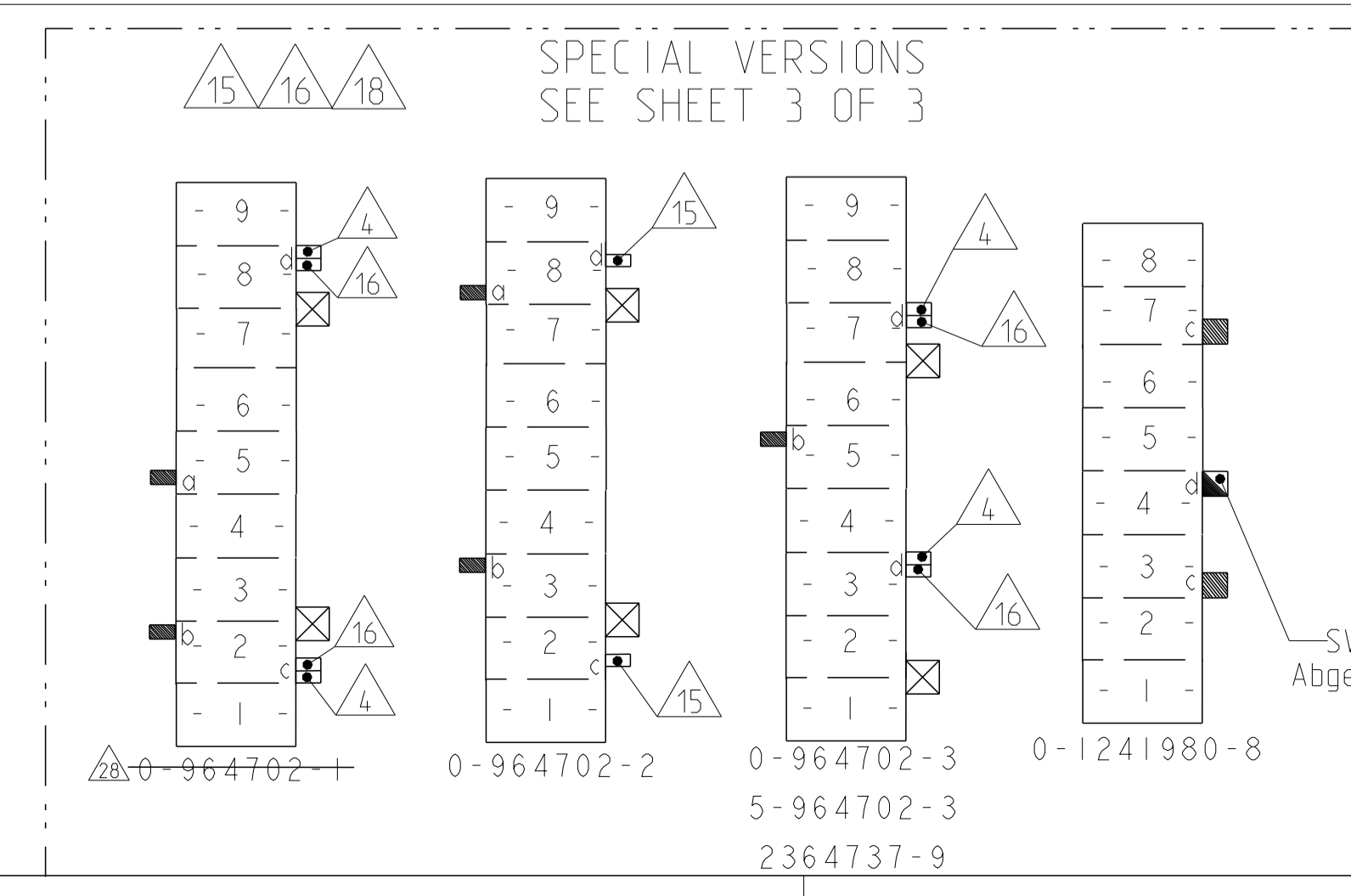
5-2178029-2	2	02-B	10	5	NATURAL	PA66/6 UL94V-0	B	12/13
4-2178029-2	2	02-I	10	5	NATURAL	UL94V-0	B	12/13
3-2178029-2	2	02-K	10	5	NATURAL	UL94V-0	B	12/13
2-2178029-2	2	02-B	10	5	BLACK	UL94V-0	B	12/13
1-2178029-2	2	02-I	10	5	RED	UL94V-0	B	12/13



PART NO.	POS.	RAST 5	DIM A	DIM B	COLOUR	MATERIAL	LOCKING LATCH	MATED WITH
Bestell-Nr.	Pol.	Rast 5	Maß A	Maß B	Farbe		Rasthaken	Gegenstecker
5-2178029-5	5	-	25	20	GREEN	PA66/6 UL94V-0	B	12/13
2-2178029-5	5	-	25	20	BLACK	UL94V-0	B	12/13
4-2178029-4	4	-	20	15	NATURAL	UL94V-0	B	12/13



0-928247-7	7	07-C	35	30	NATURAL	PA6 GF15 UL94V-2	D	12/13
1-1241965-7	7	07-C	35	30	NATURAL	UL94V-2	D	12/13
0-1241965-7	7	07-C	35	30	NATURAL	UL94V-2	D	12/13



LOC	DIST	REV	DATE	BY	APPV
A1	-	1	-	-	-

REV	DATE	DESCRIPTION	DATE	BY	APPV
-	-	SEE SHEET 1	-	-	-

REV	DATE	DESCRIPTION	DATE	BY	APPV
1	12/13	NATURE	UL94 V-0	B	12/13
2	12/13	NATURE/natur	UL94V-0	-	12/13
3	12/13	NATURE/natur	UL94V-2	C	12/13
4	12/13	NATURE/natur	UL94V-2	B	12/13
5	12/13	NATURE/natur	UL94V-2	B	12/13
6	12/13	NATURE/natur	UL94V-2	B	12/13
7	12/13	NATURE/natur	UL94V-2	B	12/13
8	12/13	NATURE/natur	UL94V-2	B	12/13
9	12/13	NATURE/natur	UL94V-2	B	12/13
10	12/13	NATURE/natur	UL94V-2	B	12/13
11	12/13	NATURE/natur	UL94V-2	B	12/13
12	12/13	NATURE/natur	UL94V-2	B	12/13
13	12/13	NATURE/natur	UL94V-2	B	12/13
14	12/13	NATURE/natur	UL94V-2	B	12/13
15	12/13	NATURE/natur	UL94V-2	B	12/13
16	12/13	NATURE/natur	UL94V-2	B	12/13
17	12/13	NATURE/natur	UL94V-2	B	12/13
18	12/13	NATURE/natur	UL94V-2	B	12/13
19	12/13	NATURE/natur	UL94V-2	B	12/13
20	12/13	NATURE/natur	UL94V-2	B	12/13
21	12/13	NATURE/natur	UL94V-2	B	12/13
22	12/13	NATURE/natur	UL94V-2	B	12/13
23	12/13	NATURE/natur	UL94V-2	B	12/13
24	12/13	NATURE/natur	UL94V-2	B	12/13
25	12/13	NATURE/natur	UL94V-2	B	12/13
26	12/13	NATURE/natur	UL94V-2	B	12/13
27	12/13	NATURE/natur	UL94V-2	B	12/13
28	12/13	NATURE/natur	UL94V-2	B	12/13
29	12/13	NATURE/natur	UL94V-2	B	12/13
30	12/13	NATURE/natur	UL94V-2	B	12/13
31	12/13	NATURE/natur	UL94V-2	B	12/13
32	12/13	NATURE/natur	UL94V-2	B	12/13
33	12/13	NATURE/natur	UL94V-2	B	12/13
34	12/13	NATURE/natur	UL94V-2	B	12/13
35	12/13	NATURE/natur	UL94V-2	B	12/13
36	12/13	NATURE/natur	UL94V-2	B	12/13
37	12/13	NATURE/natur	UL94V-2	B	12/13
38	12/13	NATURE/natur	UL94V-2	B	12/13
39	12/13	NATURE/natur	UL94V-2	B	12/13
40	12/13	NATURE/natur	UL94V-2	B	12/13
41	12/13	NATURE/natur	UL94V-2	B	12/13
42	12/13	NATURE/natur	UL94V-2	B	12/13
43	12/13	NATURE/natur	UL94V-2	B	12/13
44	12/13	NATURE/natur	UL94V-2	B	12/13
45	12/13	NATURE/natur	UL94V-2	B	12/13
46	12/13	NATURE/natur	UL94V-2	B	12/13
47	12/13	NATURE/natur	UL94V-2	B	12/13
48	12/13	NATURE/natur	UL94V-2	B	12/13
49	12/13	NATURE/natur	UL94V-2	B	12/13
50	12/13	NATURE/natur	UL94V-2	B	12/13
51	12/13	NATURE/natur	UL94V-2	B	12/13
52	12/13	NATURE/natur	UL94V-2	B	12/13
53	12/13	NATURE/natur	UL94V-2	B	12/13
54	12/13	NATURE/natur	UL94V-2	B	12/13
55	12/13	NATURE/natur	UL94V-2	B	12/13
56	12/13	NATURE/natur	UL94V-2	B	12/13
57	12/13	NATURE/natur	UL94V-2	B	12/13
58	12/13	NATURE/natur	UL94V-2	B	12/13
59	12/13	NATURE/natur	UL94V-2	B	12/13
60	12/13	NATURE/natur	UL94V-2	B	12/13
61	12/13	NATURE/natur	UL94V-2	B	12/13
62	12/13	NATURE/natur	UL94V-2	B	12/13
63	12/13	NATURE/natur	UL94V-2	B	12/13
64	12/13	NATURE/natur	UL94V-2	B	12/13
65	12/13	NATURE/natur	UL94V-2	B	12/13
66	12/13	NATURE/natur	UL94V-2	B	12/13
67	12/13	NATURE/natur	UL94V-2	B	12/13
68	12/13	NATURE/natur	UL94V-2	B	12/13
69	12/13	NATURE/natur	UL94V-2	B	12/13
70	12/13	NATURE/natur	UL94V-2	B	12/13
71	12/13	NATURE/natur	UL94V-2	B	12/13
72	12/13	NATURE/natur	UL94V-2	B	12/13
73	12/13	NATURE/natur	UL94V-2	B	12/13
74	12/13	NATURE/natur	UL94V-2	B	12/13
75	12/13	NATURE/natur	UL94V-2	B	12/13
76	12/13	NATURE/natur	UL94V-2	B	12/13
77	12/13	NATURE/natur	UL94V-2	B	12/13
78	12/13	NATURE/natur	UL94V-2	B	12/13
79	12/13	NATURE/natur	UL94V-2	B	12/13
80	12/13	NATURE/natur	UL94V-2	B	12/13
81	12/13	NATURE/natur	UL94V-2	B	12/13
82	12/13	NATURE/natur	UL94V-2	B	12/13
83	12/13	NATURE/natur	UL94V-2	B	12/13
84	12/13	NATURE/natur	UL94V-2	B	12/13
85	12/13	NATURE/natur	UL94V-2	B	12/13
86	12/13	NATURE/natur	UL94V-2	B	12/13
87	12/13	NATURE/natur	UL94V-2	B	12/13
88	12/13	NATURE/natur	UL94V-2	B	12/13
89	12/13	NATURE/natur	UL94V-2	B	12/13
90	12/13	NATURE/natur	UL94V-2	B	12/13
91	12/13	NATURE/natur	UL94V-2	B	12/13
92	12/13	NATURE/natur	UL94V-2	B	12/13
93	12/13	NATURE/natur	UL94V-2	B	12/13
94	12/13	NATURE/natur	UL94V-2	B	12/13
95	12/13	NATURE/natur	UL94V-2	B	12/13
96	12/13	NATURE/natur	UL94V-2	B	12/13
97	12/13	NATURE/natur	UL94V-2	B	12/13
98	12/13	NATURE/natur	UL94V-2	B	12/13
99	12/13	NATURE/natur	UL94V-2	B	12/13
100	12/13	NATURE/natur	UL94V-2	B	12/13

LOC	DIST	REVISIONS					
		P	LTN	DESCRIPTION	DATE	DMN	APVD
A1	-			SEE SHEET 1			

- ONLY FOR 2322912-3. TOLERANCE IS +0.1/-0.15
- ONLY FOR 2322912-6. 1-2364737-1. TOLERANCE IS -0.30
- CANDIDATE PRELIMINARY P/N. NOT YET OFFICIAL. ONLY FOR DISCUSSION. NOT YET RELEASED FOR PRODUCTION
- DOUBLE SOURCE RESIN: ALTERNATIVE RESIN UNDER APPROVAL
- DOUBLE SOURCE RESIN PA66/6

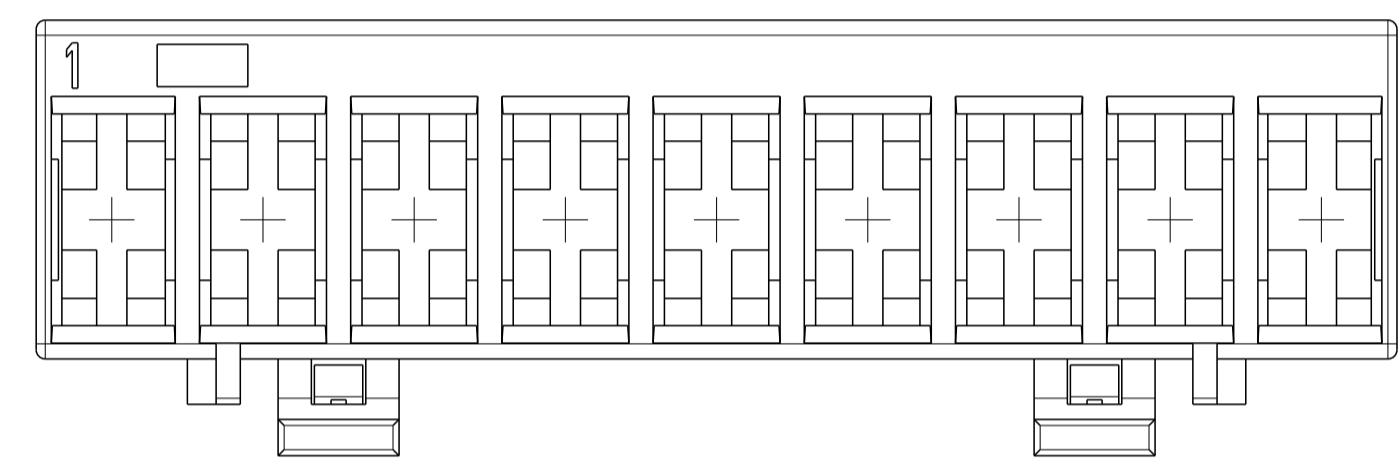
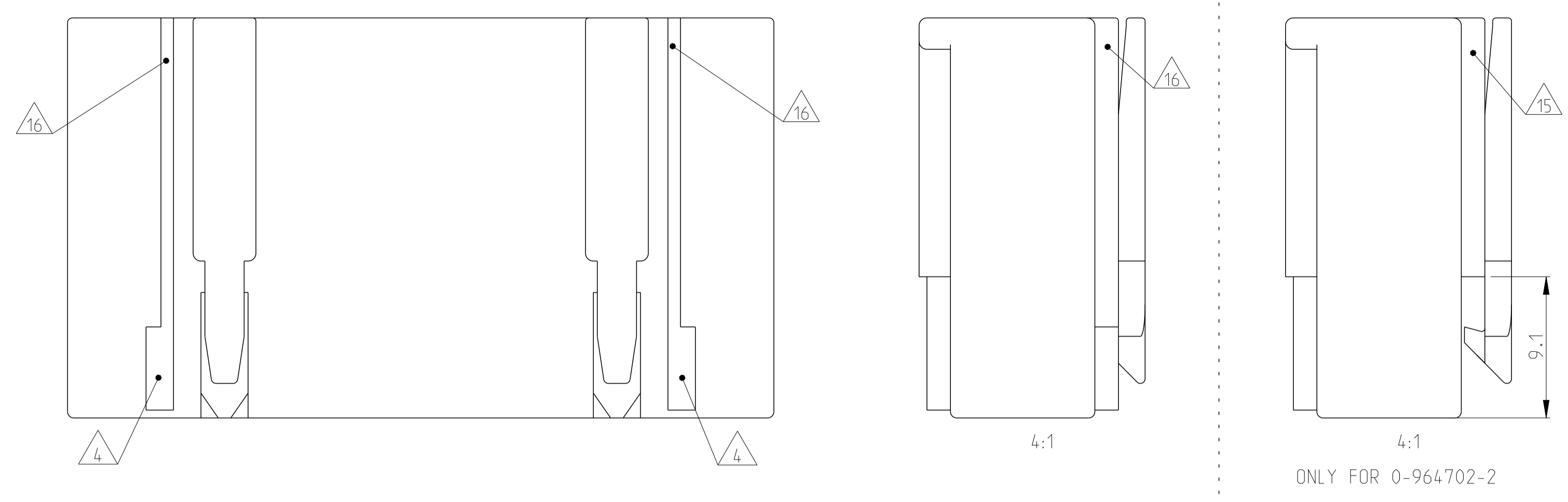
	6-1241965-5	5	-	25	20	NATURAL	UL94-V0 & GW EPT 750 no flame	D	
	5-1241965-5	5	05-B	25	20	NATURAL		E	
	1-2364737-1	11	11-B	55	50	BLUE	UL94-V0 & GW EPT 750 no flame	B	
	2364737-9	9	-	45	40	BLUE		C	
	2364737-5	5	-	25	20	BLUE		B	
	1-2364737-2	2	02-B	10	5	BLUE		B	
	2364737-2	2	02-A	10	5	BLUE		B	
	2322912-8	8	08-D	40	35	BLUE	PA66 UL94 V0 GW T 750	B	
	2322912-6	6	06-D	30	25	BLUE		B	
	2322912-3	3	-	15	10	YELLOW		B	
	2-2322912-2	2	02-A	10	5	NATURE		B	
	1-2322912-2	2	02-G	10	5	BLUE		B	
	2322912-2	2	02-C	10	5	GREY		B	
	5-1241965-7	7	07-C	35	30	NATURAL	PA66 UL94 V0 GW T 750 CT1350	E	
	4-1241965-7	7	-	35	30	NATURAL		E	
	5-1241965-5	5	05-B	25	20	NATURAL		E	
	5-1241965-4	4	-	20	15	NATURAL		E	
	4-1241965-4	4	-	20	15	NATURAL		E	
	3-1241965-4	4	-	20	15	NATURAL		E	
	2-1241965-4	4	-	20	15	NATURAL		E	
	1-1241965-4	4	04-C	20	15	NATURAL		E	
	8-1241965-2	2	02-C	10	5	NATURAL		E	
	2-1241965-2	2	-	10	5	NATURAL		E	
	PART NO.	POS.	RAST 5	DIM A	DIM B	COLOUR	MATERIAL	LOCKING LATCH	MATED WITH
SPECIAL VERSION: UL94 V0 & GW T 750									

2345754-1	2	02-C	10	5	NATURAL	PA66 UL94 V0	E	
PART NO.	POS.	RAST 5	DIM A	DIM B	COLOUR	MATERIAL	LOCKING LATCH	MATED WITH
SPECIAL VERSION: UL94 V0								

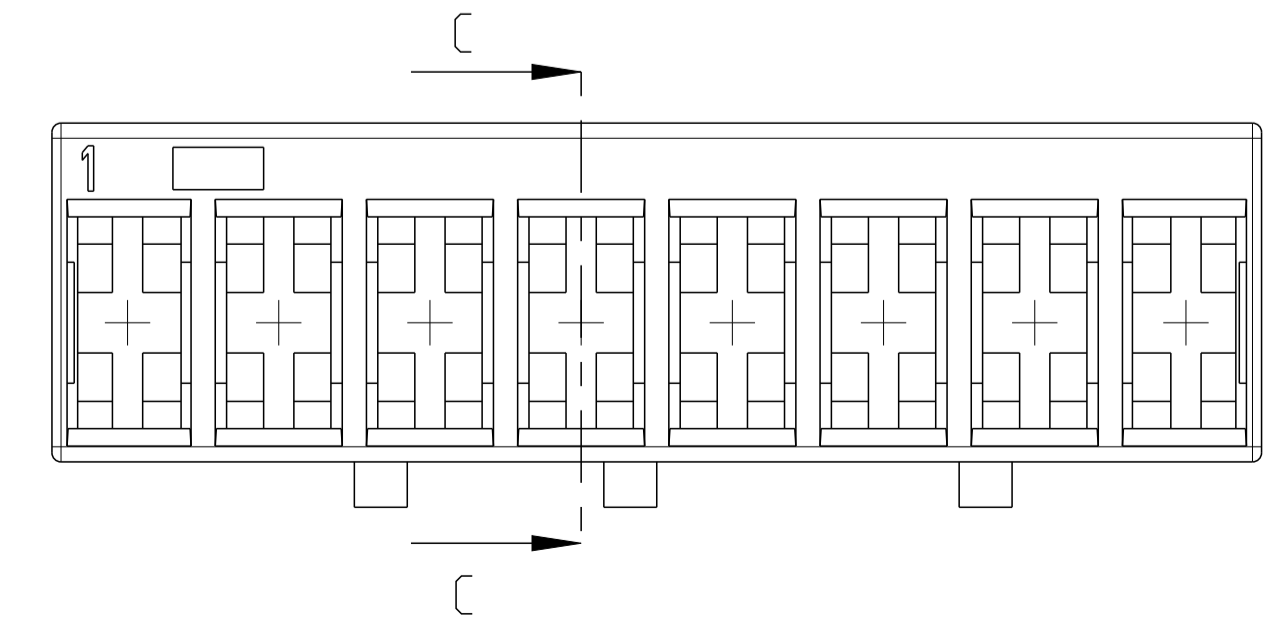
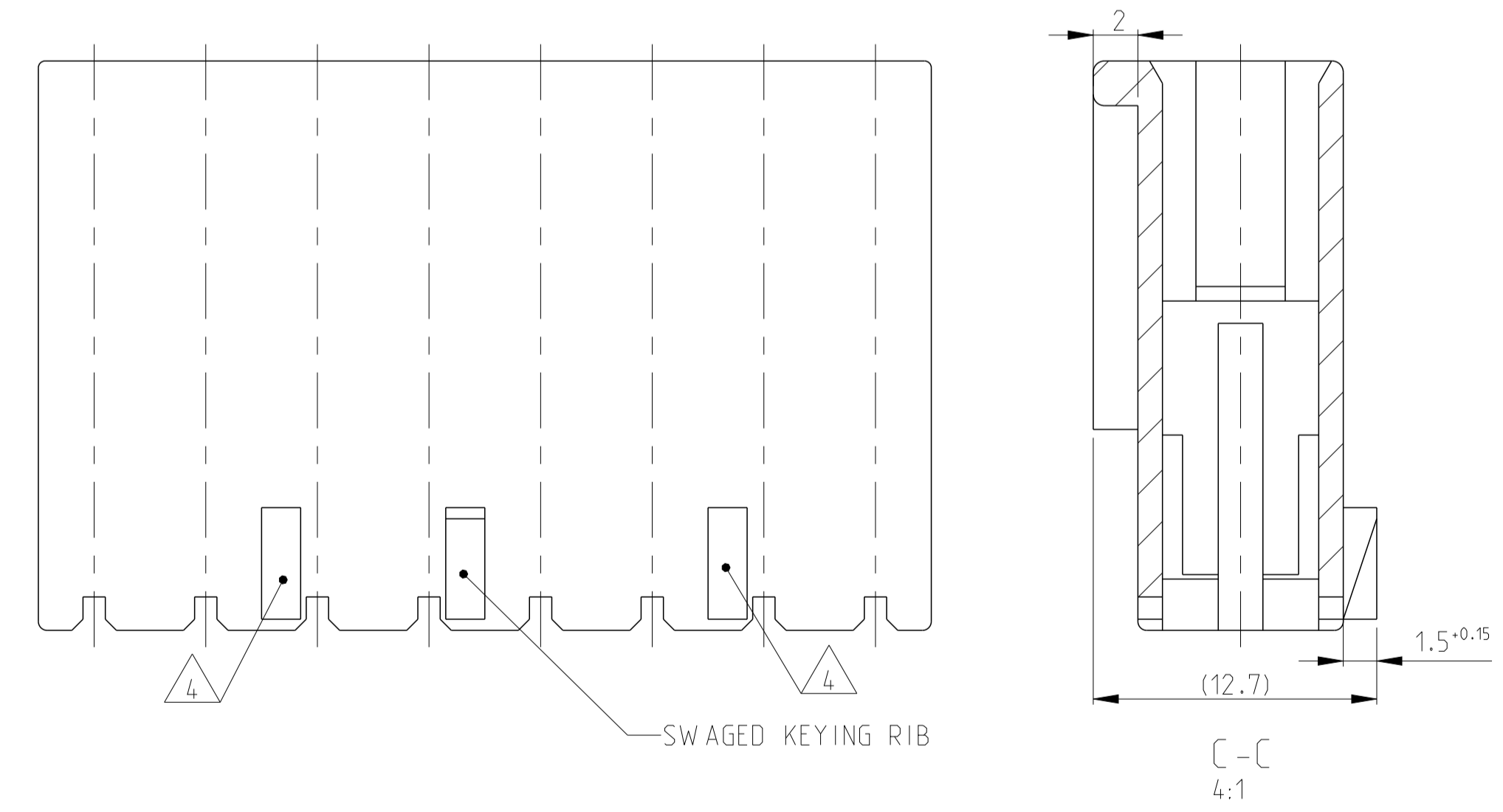
KEYING PLAN SEE SHEET 2 OF 4

THIS DRAWING IS A CONTROLLED DOCUMENT.		DMN Kishor M 07-JUL-2017	TE Connectivity NAME 2-12 POS. STANDARD TIMER HSG WITH EXTERIOR LOCKING	
DIMENSIONS: mm		CHK K. Munz 07-NOV-06		
TOLERANCES UNLESS OTHERWISE SPECIFIED:		APVD Th. Klenner 07-NOV-06	PRODUCT SPEC 108-18049	
0 PLC ±0.1 2 PLC ±0.01 3 PLC ±0.001 4 PLC ±0.0001 ANGLES °		APPLIC. SPEC	RESTRICTED TO	
MATERIAL SEE TABLES		WEIGHT	SIZE CAGE CODE DRAWING NO	
		Customer Drawing	A100779 ©=4241965	
		SCALE 5:1	SHEET 3 OF 4	
				REV 1

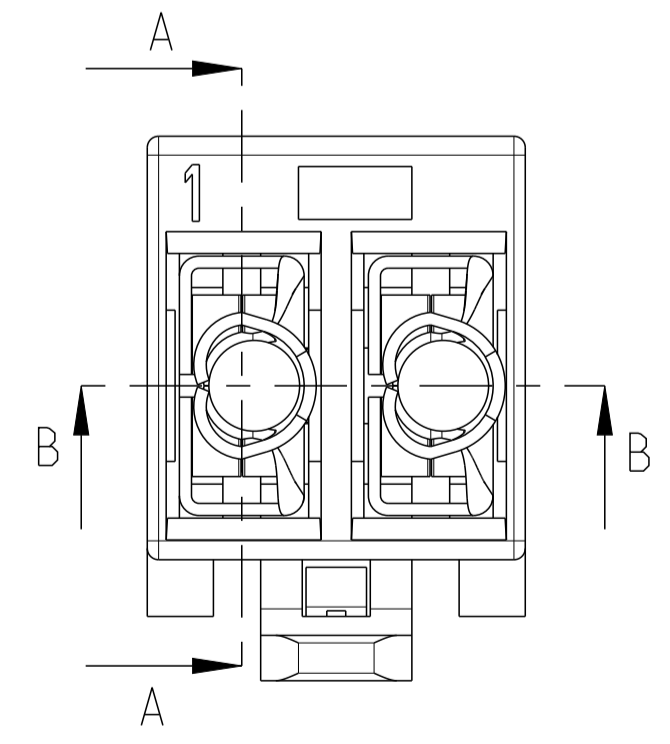
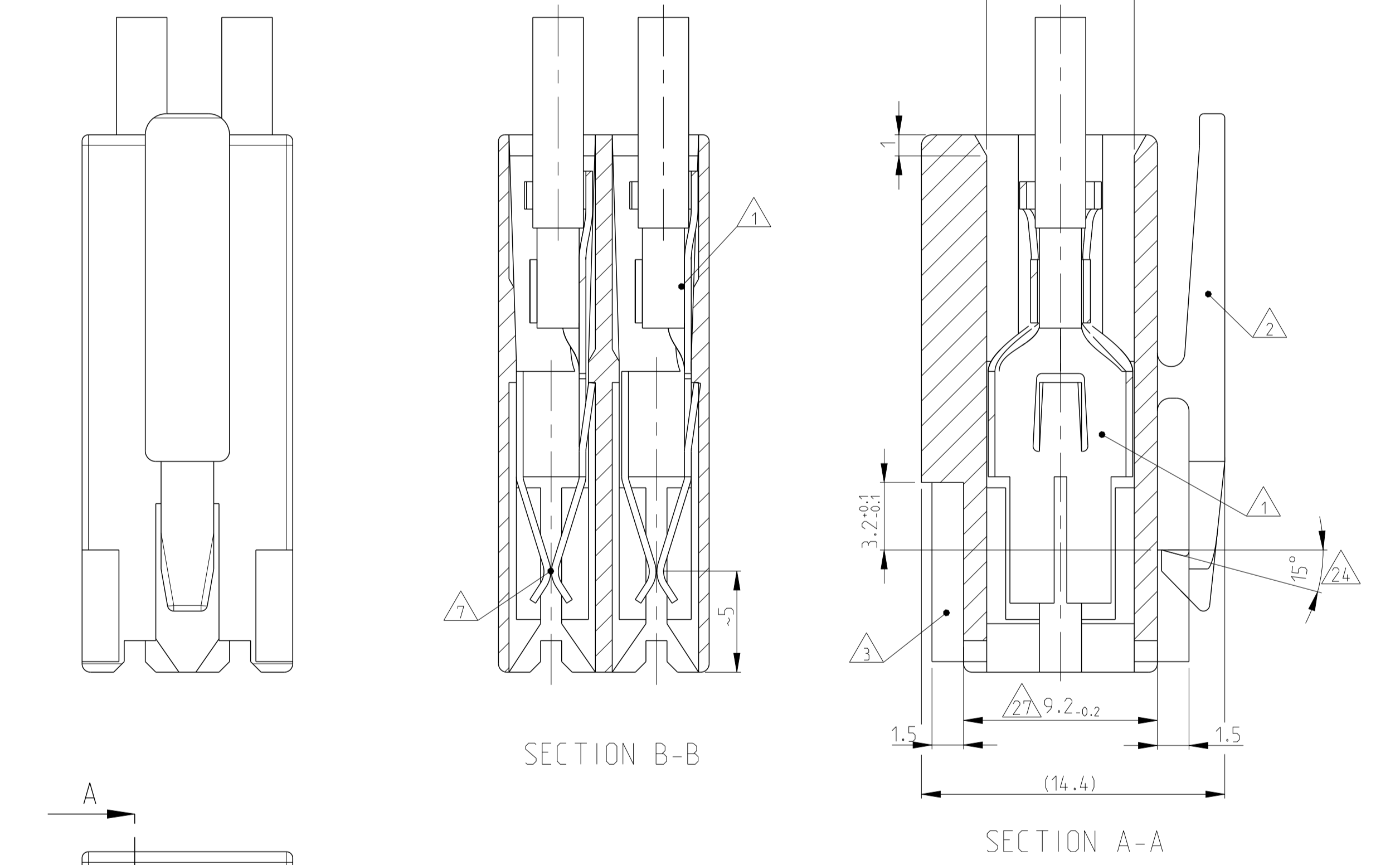
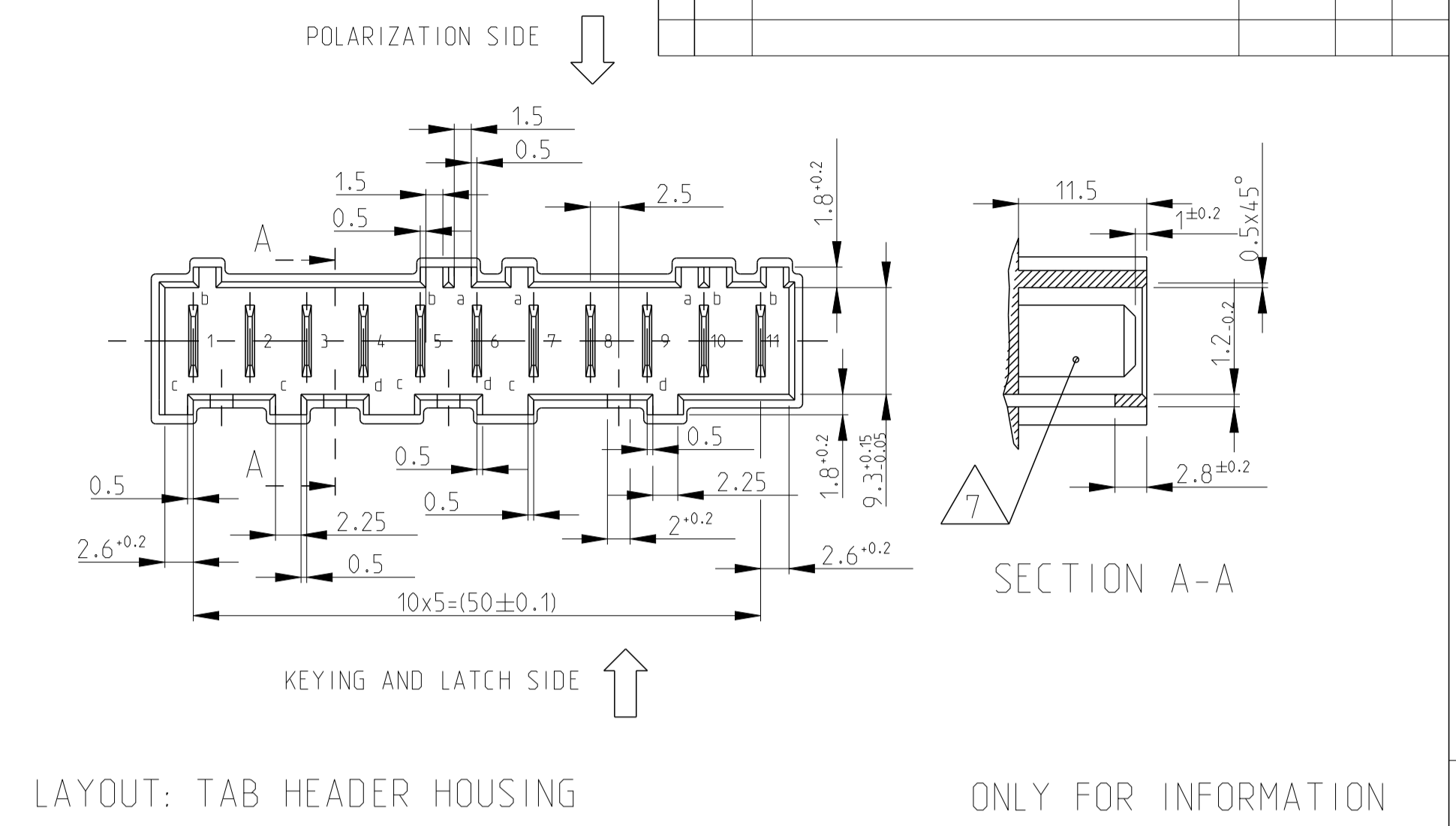
SPECIAL VERSIONS $\triangle 15$ $\triangle 16$
 9 POS STD. TIMER HSG. WITH TANGLING PROTECTION



SPECIAL VERSION $\triangle 18$
 8 POS SPECIAL STD. TIMER HSG.



LOC	DIST	REV	DESCRIPTION	DATE	OWN	APVD
A1	-	-	SEE SHEET 1	-	-	-



THIS DRAWING IS A CONTROLLED DOCUMENT.		OWN: Kishor M	18 JUL 2017		TE Connectivity
DIMENSIONS: mm		CHK: K. Munz	07-NOV-06		
TOLERANCES UNLESS OTHERWISE SPECIFIED: ±0.2		APVD: Th. Klenner	07-NOV-06	NAME	
1-PLC ±0.1		PRODUCT SPEC		2-12 POS. STANDARD TIMER HSG WITH EXTERIOR LOCKING	
2-PLC ±0.05		APPLICATION SPEC		SIZE: CAGE CODE DRAWING NO. RESTRICTED TO	
3-PLC ±0.001		108-18049		A1 00779 ©=1241965	
4-PLC ±0.0001		APPLIC. SPEC		SCALE: 5:1 SHEET 4 OF 4 REV C1	
MATERIAL: SEE TABLES		WEIGHT: -		Customer Drawing	