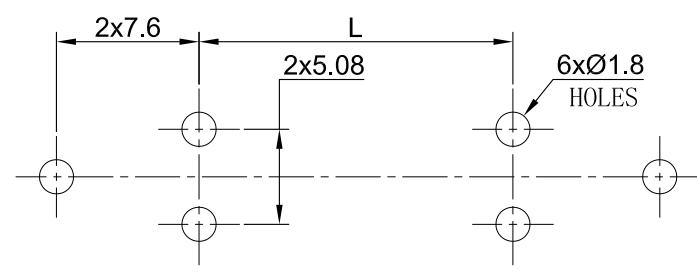
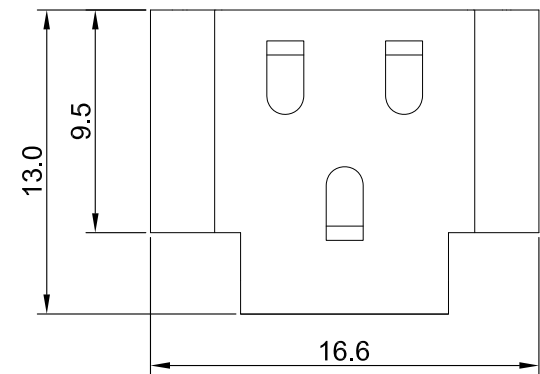
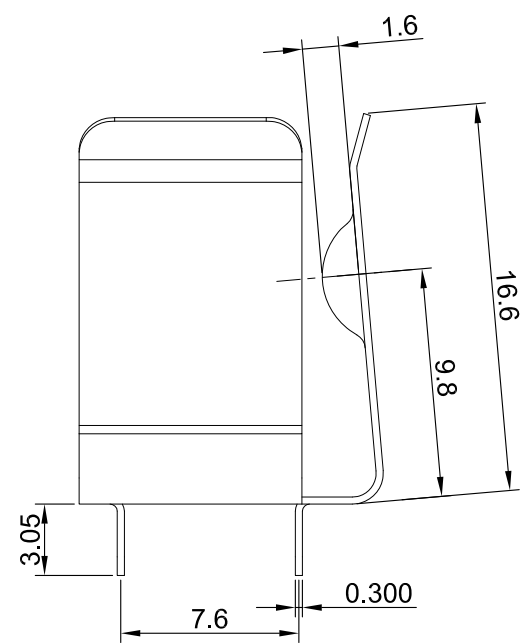
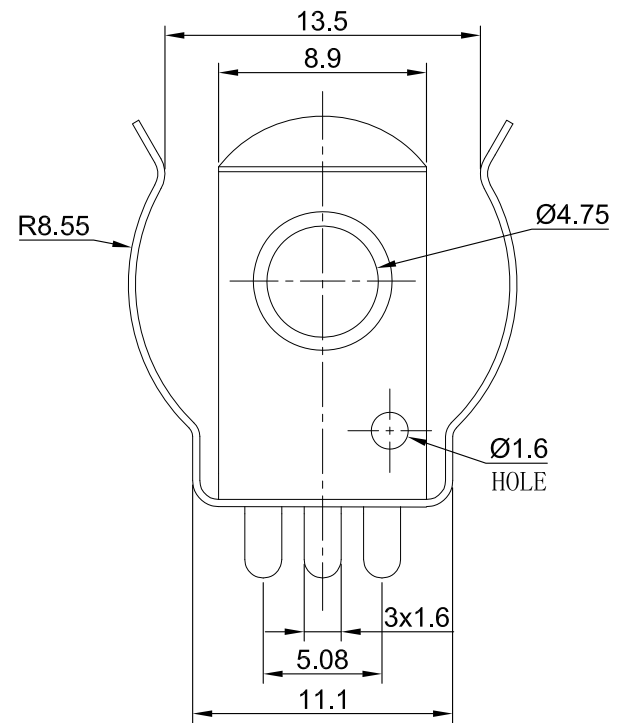


REV	DESCRIPTION	DATE
A0	INITIAL RELEASE	2017-06-09



CELL SIZE	"L" DIMENSION
18650	48.0
17500	30.9
CR123A	14.5

PCB Mounting layout

NOTES:

1. MATERIAL: SPRING STEEL, 0.30±0.02MM THICK
2. FINISH: NICKEL PLATING, 2~5µm THICK
3. REMOVE ALL BURRS , GREASE AND SHARP EDGES
4. MINIMUM INSIDE BEND RADIUS: 0.3mm UNLESS OTHERWISE SPECIFIDE
5. MINIMUM PROCESS CORNER RADIUS: 0.3mm UNLESS OTHERWISE SPECIFIDE
6. FOR "18650" OR "17650" OR "CR123A" OR EQUIVALENT BATTERY
7. MUST BE RoHS COMPLIANT

NINGBO KLS ELECTRONIC CO.,LTD

UNLESS OTHERWISE SPECIFIED TOLERANCES		MATERIAL: SEE NOTES	DESIGN BY Zhang jianbing DATE 2017/06/09	TITLE BATTERY CLIP	
DECIMALS		FINISH: SEE NOTES	CHECKED BY Wang quchun DATE 2017/06/09	DWG NO. L-KLS5-54T	REVISION A0
ANGLES		these drawings and specifications are the property of MQC, are issued in strict confidence and shall not be reproduced, or copied, or used as the basis for the manufacture, or sale of apparatus without prior written permission			
X : ±0.30	X : ±3°	APPROVED BY Zhu changyan DATE 2017/06/09		UNIT MM	SCALE 3:1
X.X : ±0.25	X.X : ±1°	THIRD-ANGLE PROJECTION		SHEET 1 OF 1	
X.XX : ±0.20					
X.XXX : ±0.10					