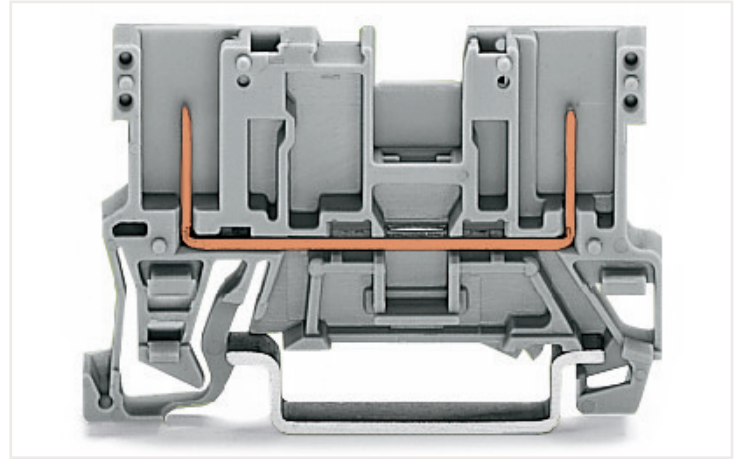
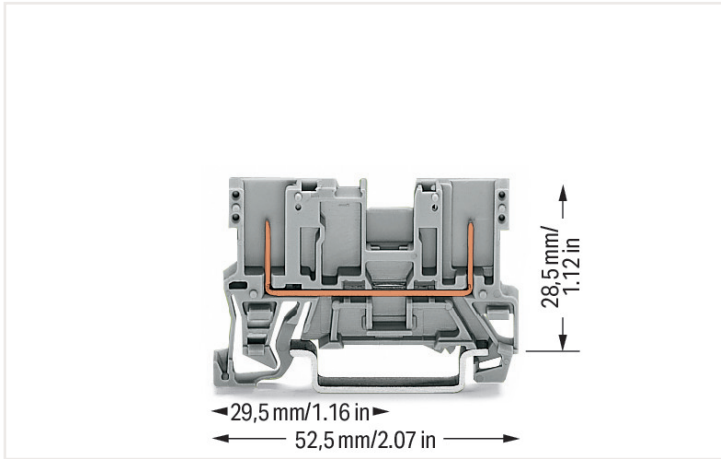


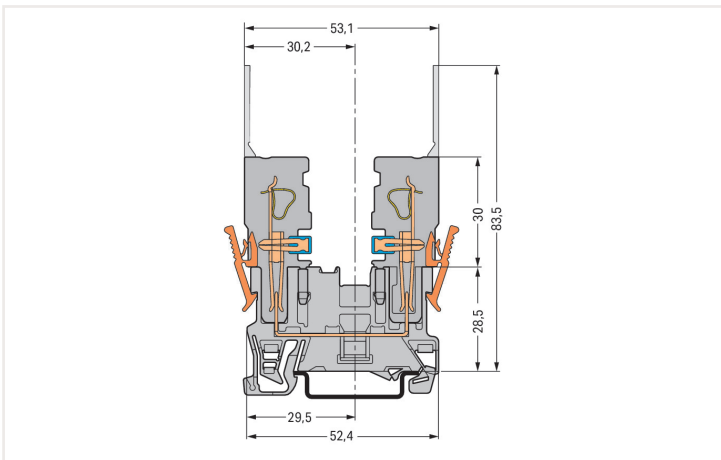
Data sheet | Item number: 769-156

2-pin carrier terminal block; for DIN-rail 35 x 15 and 35 x 7.5; gray

<https://www.wago.com/769-156>



Color: ■ gray



Carrier terminal block

Electrical data

Ratings per IEC/EN	
Ratings per	IEC/EN 60947-7-1
Nominal voltage (III/3)	500 V
Rated impulse voltage (III/3)	6 kV
Rated current	32 A
Legend (ratings)	(III / 3) ≙ Overvoltage category III / Pollution degree 3

Connection data

Total number of potentials	1
Number of levels	1

Connection 1	
Wiring direction	Front-entry wiring

Physical data

Width	5 mm / 0.197 inch
Height	52.5 mm / 2.067 inch
Depth from upper-edge of DIN-rail	28.5 mm / 1.122 inch

Mechanical data

Design	horizontal type
Mounting type	DIN-35 rail
Marking level	Center marking

Material data

Note (material data)	Information on material data can be found here
Color	gray
Insulation material	Polyamide (PA66)
Flammability class per UL94	V0
Fire load	0.099 MJ
Weight	4.5 g

Commercial data

Product Group	18 (X-COM-System)
eCl@ss 10.0	27-14-11-20
eCl@ss 9.0	27-14-11-20
ETIM 7.0	EC000897
ETIM 6.0	EC000897
PU (SPU)	100 Stück
Packaging type	Box
Country of origin VKOrg Germany	DE
GTIN	4044918391672
Customs tariff number VKOrg Germany	85369010000

Downloads

Environmental Product Compliance


Compliance Search

Environmental Product
Compliance 769-156





Documentation





Additional Information

Technical Section pdf
2142.18 KB 

Bid Text

769-156	19.02.2019	xml 2.93 KB	
769-156	02.10.2017	doc 24.00 KB	

CAD/CAE-Data

CAD data	CAE data
2D/3D Models 769-156 	EPLAN Data Portal 769-156 
	WSCAD Universe 769-156 
	ZUKEN Portal 769-156 

1 Compatible products

1.1 System counterpart

1.1.1 Female connector/socket

**Item no.: 769-101/022-000**

1-conductor female connector, angled; CAGE CLAMP®; 4 mm²; Pin spacing 5 mm; 1-pole; coding finger; 4,00 mm²; gray

Item no.: 769-101

1-conductor female connector; CAGE CLAMP®; 4 mm²; Pin spacing 5 mm; 1-pole; coding finger; 4,00 mm²; gray

Item no.: 769-121

2-conductor female connector; CAGE CLAMP®; 4 mm²; Pin spacing 5 mm; 1-pole; coding finger; 4,00 mm²; gray

1.2 Required accessories

1.2.1 End plate

1.2.1.1 End plate

**Item no.: 769-305**

End and intermediate plate; 1.1 mm thick; gray

Item no.: 769-306

End and intermediate plate; 1.1 mm thick; orange

1.3 Optional accessories

1.3.1 Coding

1.3.1.1 Coding

**Item no.: 769-435**

Coding pin; for coding of female plugs; for carrier terminal blocks / male connectors; orange

1.3.2 Cover

1.3.2.1 Cover



Item no.: 769-438

Pin cover; with marker slot for miniature WSB; gray



Item no.: 769-439

Pin cover; with marker slot for miniature WSB; orange

1.3.3 DIN-rail

1.3.3.1 Mounting accessories



Item no.: 210-196

Aluminum carrier rail; 35 x 8.2 mm; 1.6 mm thick; 2 m long; unslotted; similar to EN 60715; silver-colored



Item no.: 210-198

Copper carrier rail; 35 x 15 mm; 2.3 mm thick; 2 m long; unslotted; according to EN 60715; copper-colored



Item no.: 210-508

Steel carrier rail; 35 x 15 mm; 1.5 mm thick; 2 m long; slotted; galvanized; similar to EN 60715; silver-colored



Item no.: 210-197

Steel carrier rail; 35 x 15 mm; 1.5 mm thick; 2 m long; slotted; similar to EN 60715; silver-colored



Item no.: 210-506

Steel carrier rail; 35 x 15 mm; 1.5 mm thick; 2 m long; unslotted; galvanized; similar to EN 60715; silver-colored



Item no.: 210-114

Steel carrier rail; 35 x 15 mm; 1.5 mm thick; 2 m long; unslotted; similar to EN 60715; silver-colored



Item no.: 210-118

Steel carrier rail; 35 x 15 mm; 2.3 mm thick; 2 m long; unslotted; according to EN 60715; silver-colored



Item no.: 210-115

Steel carrier rail; 35 x 7.5 mm; 1 mm thick; 2 m long; slotted; according to EN 60715; "Hole width 18 mm; silver-colored



Item no.: 210-112

Steel carrier rail; 35 x 7.5 mm; 1 mm thick; 2 m long; slotted; according to EN 60715; "Hole width 25 mm; silver-colored



Item no.: 210-504

Steel carrier rail; 35 x 7.5 mm; 1 mm thick; 2 m long; slotted; galvanized; according to EN 60715; silver-colored



Item no.: 210-113

Steel carrier rail; 35 x 7.5 mm; 1 mm thick; 2 m long; unslotted; according to EN 60715; silver-colored



Item no.: 210-505

Steel carrier rail; 35 x 7.5 mm; 1 mm thick; 2 m long; unslotted; galvanized; according to EN 60715; silver-colored

1.3.4 Installation

1.3.4.1 Mounting accessories



Item no.: 209-106

Mounting carrier; for isolated mounting on DIN 35 rails; gray



Item no.: 249-116

Screwless end stop; 6 mm wide; for DIN-rail 35 x 15 and 35 x 7.5; gray

1.3.5 Jumper

1.3.5.1 Jumper



Item no.: 280-402

Jumper; insulated; gray



Item no.: 280-409

Jumper; insulated; gray



Item no.: 780-452

Staggered jumper; from 1 to 2; insulated; gray



Item no.: 780-453

Staggered jumper; from 1 to 3; insulated; gray



Item no.: 780-454

Staggered jumper; from 1 to 4; insulated; gray



Item no.: 780-455

Staggered jumper; from 1 to 5; insulated; gray



Item no.: 780-456

Staggered jumper; from 1 to 6; insulated; gray



Item no.: 780-457

Staggered jumper; from 1 to 7; insulated; gray



Item no.: 780-458

Staggered jumper; from 1 to 8; insulated; gray

1.3.6 Marking

1.3.6.1 Marker



Item no.: 2009-145

Mini-WSB InLine; for Smart Printer; 1700 pieces on roll; stretchable 5 - 5.2 mm; plain; snap-on type; white



Item no.: 248-501

Mini-WSB marking card; as card; not stretchable; plain; snap-on type; white

1.3.7 Push-in type wire jumper

1.3.7.1 Jumper



Item no.: 249-126

Push-in type wire jumper; 0.75 mm²; insulated; 110 mm long; black



Item no.: 249-123

Push-in type wire jumper; 0.75 mm²; insulated; 180 mm long; black



Item no.: 249-127

Push-in type wire jumper; 0.75 mm²; insulated; 250 mm long; black



Item no.: 249-125

Push-in type wire jumper; insulated; 60 mm long; black

1.3.8 Test and measurement

1.3.8.1 Testing accessories



Item no.: 280-419

Spacer module; modular; bridging commoned terminal blocks; gray



Item no.: 280-404

Test plug adapter; 5 mm wide; for test plug (2.3 mm Ø); suitable for 1.5 mm² - 4 mm² tbs; gray



Item no.: 280-418

Test plug module; modular; suitable for all WAGO 280 and 780 Series rail-mounted terminal blocks with jumper slots in the current bar; gray

1.3.9 Tool

1.3.9.1 Operating tool

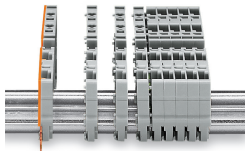


Item no.: 210-720

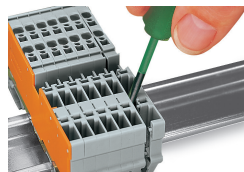
Operating tool; Blade: 3.5 x 0.5 mm; with a partially insulated shaft; multicoloured

Installation notes

Installation

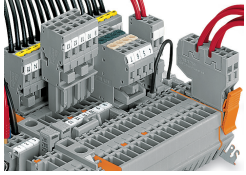


Snap individual carrier terminal blocks on to the DIN-rail and slide together.

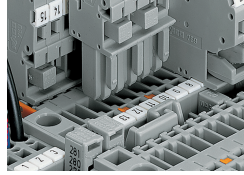


Open the assembly by laterally sliding a block via operating tool and remove terminal block via release lever.

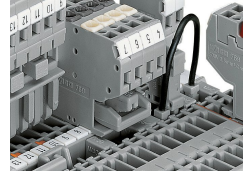
Commoning



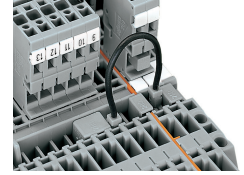
Commoning with adjacent or staggered jumpers.
Push jumpers down until fully inserted.



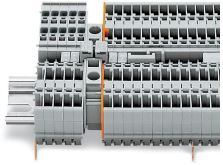
Commoning carrier terminal blocks via staggered jumpers.



Commoning a 2-conductor female plug via staggered jumper and carrier terminal blocks via adjacent jumpers.

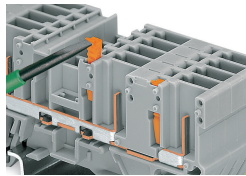


Commoning carrier terminal blocks via push-in type wire jumpers or adjacent jumpers – even over an intermediate plate.



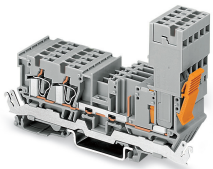
Commoning "supply terminal blocks" (up to 10 mm²/8 AWG) with carrier terminal blocks via step-down jumpers.

Coding

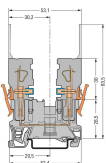


Snap coding pin in proper direction on carrier terminal block.
Shown: Coding pin removal from carrier terminal block.

Locking system



Securing a female plug via locking lever on the terminal block side.



Carrier terminal block



1-conductor female plugs
Carrier terminal blocks can be commoned via 280 and 780 Series Jumpers and tested using a test plug adapter (280-4.).



1-conductor female plug and 2-conductor female plug
Carrier terminal blocks can only be commoned via 280 Series Adjacent and Alternate Jumpers.



2-conductor female plug and 1-conductor female plug
Carrier terminal blocks can be commoned via 280 and 780 Series Jumpers.