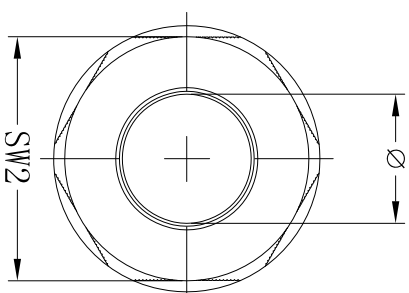
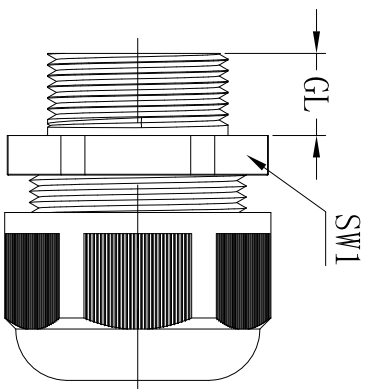
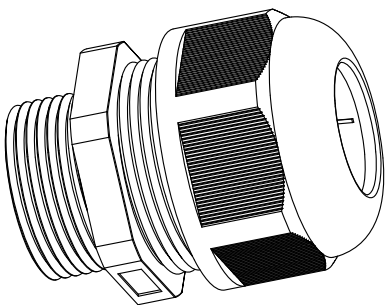


Metric	PG	Claping range(Ø)	SW1	SW2	GL	Type
	Pg7	3-6.5	14.7	14.8	8.2	DDL-PG7P
	Pg9	4-8	18.7	18.8	9	DDL-PG9P
	Pg11	5.5-10	22.2	22	9.7	DDL-PG11P
	Pg13.5	6-12.5	23.6	24	10	DDL-PG13.5P
	Pg16	8.5-14	26.5	27	11	DDL-PG16P
	Pg21	12.5-18	33	32.6	12.1	DDL-PG21P
	Pg29	17-25	42	40.6	12.5	DDL-PG29P
	Pg36	25-32.5	53	51.2	14.8	DDL-PG36P
	Pg42	31-41	61	62.3	16.1	DDL-PG42P
M12x1.5		3-6.5	14.8	14.8	8	DDL-M12P
M16x1.5		4-8	18.6	18.7	8.8	DDL-M16P
M20x1.5		6-12	23.7	24	10	DDL-M20P
M25x1.5		13-18	33	32.6	12	DDL-M25P
M32x1.5		18-25	42	40.5	12	DDL-M32P
M40x1.5		22-32	52.5	51.5	15	DDL-M40P
M50x1.5		31-41	61.4	62.3	16.1	DDL-M50P
M63x1.5		35-45	67.6	67.7	18	DDL-M63P



- Plastics Cable gland
1. Material: Nylon
 2. Seal Material: NBR
 3. Degree of protection: IP68
 4. Temperature range: -40~100°C

REV	ECN	DESCRIPTION	DRAFT	DATE

MATERIAL: /	SURFACE: /
MAT NO: /	NAME: DEGSON ® NINGBO DEGSON ELECTRICAL CO., LTD
STATUS: /	NAME: Plastics Cable gland
APPD: /	DRAWING NO.: /
CHKD: /	TYPE: CUSTOMER DRAWING
DRAFT: Zhou YZ 2021.08.17	SCALE: /
SIZE: A4	REV
1/1	DO