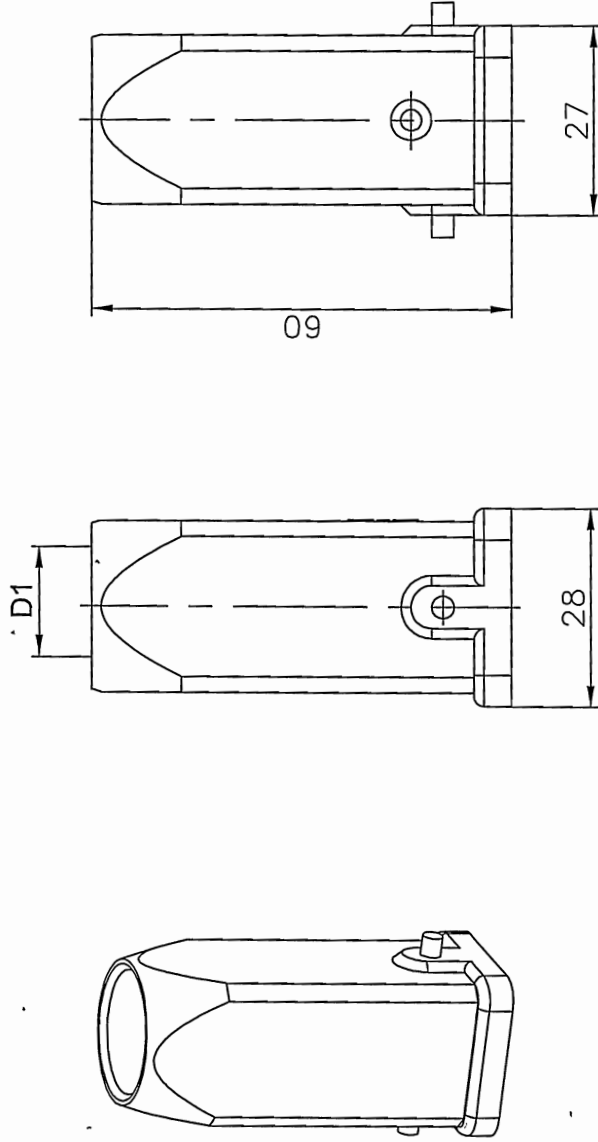


TYPE	Thread(D1) Selection
D3A-TE-2g-PG11	PG11
D3A-TE-2g-M20	M20

- Hoods Feature**
1. Material: Zinc die-cast
 2. Surface: Powder-coated
 3. Color: grey (RAL 7037)
 4. Limiting temperatures: -40°C ~ +125°C
 5. Flammability acc to UL94: V0
 6. Degree of protection acc. to EN60529 for coupled connector : IP65
 7. Rohs compliance



REVISION RECORD				
REV	ECN	DESCRIPTION	DRFT	DATE

PART NO:	NINGBO DEGSON ELECTRICAL CO., LTD
NAME:	D3A-TE-2g-M/PG
APPD:	HJS 2016.8.1
CHKD:	CTR 2016.8.1
DRFT:	Mr.yang 2017/06/28
TITLE:	CUSTOMER DRAWING
DRAWING NO.:	REV DO-1
MM (INCH)	SHEET 1/1
THIRD-ANGLE-PROJECTION	DO-NOT-SCALE DRAWING SCALE 1:1