



## Specifications

Electrical Ratings	3A @ 120VAC, 28VDC 1A @ 250VAC See Contact Options
Electrical Life	30,000 cycles typical
Contact Resistance	<20mΩ initial @ 2-4VDC, 100mA

Dielectric Strength	1000Vrms min
Insulation Resistance	>100MΩ min
Operating Temperature	-40°C to 85°C
Storage Temperature	-40°C to 85°C
Sealing Degree	IP67

## Materials

Actuator	Thermoplastic Polyester
Housing	6/6 Nylon, Glass Filled, Flame Retardant, Heat Stabilized, UL94V-0
Bracket	Brass, Tin-Lead Plated
Contacts	Copper Alloy, Silver Plated
Terminals	Brass, Silver Plated

## Ordering Information

1. Series	BSP	2	1	T	C	Q	C842
BSP							
2. Number of Poles 1 = Single Pole 2 = Double Pole							
3. Switch Function 0 = OFF- (ON) 1 = ON - (ON) For Single Pole only							
4. Actuator / Bushing T = 5.46mm actuator, non-threaded F = Flush actuator, non-threaded							
5. Terminals B = Solder Lug C = PC pin H = Horizontal mount, right angle PC pin; HS = Snap In V = Vertical mount, right angle PC pin; VS = Snap in A5 = PC pin with support bracket; A5S = Snap in support bracket W = Wire wrap							
6. Contacts Q = Silver plated R = Gold plated G = Gold over Silver plated							
8. Cap Options C84 Cap Colors C85 See Cap Options for color availability							

## Process Sealed Sub-Miniature Pushbutton

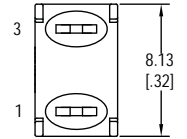
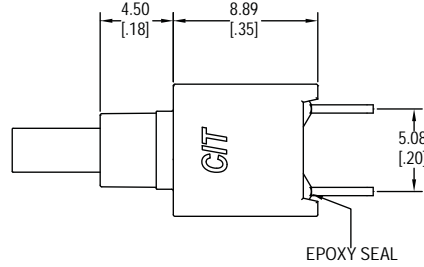
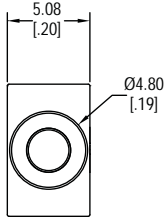
### Switch Function



**SPST**



Function	Pushbutton Position	
0	OFF	(ON)
Terminals	--	1-3



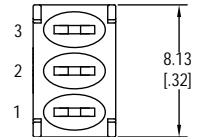
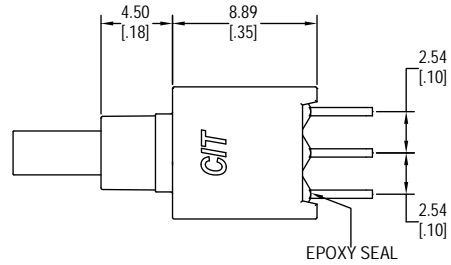
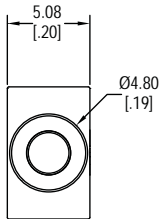
EPOXY SEAL



**SPDT**



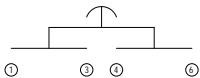
Function	Pushbutton Position	
1	ON	(ON)
Terminals	2-1	2-3



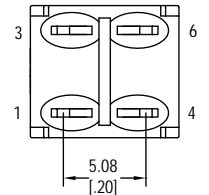
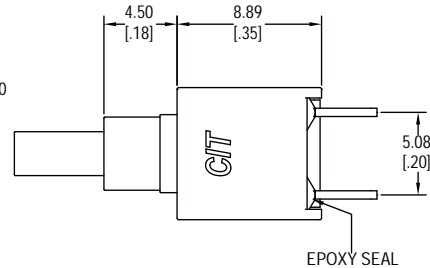
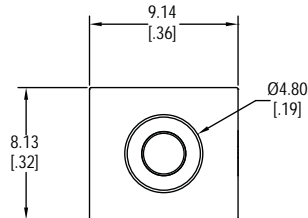
EPOXY SEAL



**DPST**

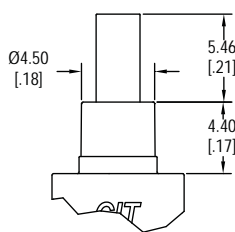
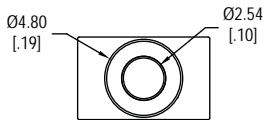


Function	Pushbutton Position	
0	OFF	(ON)
Terminals	--	1-3 4-6

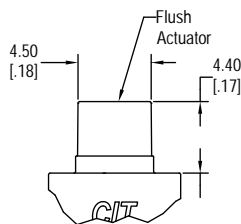
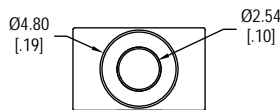


EPOXY SEAL

### Actuator / Bushing Options

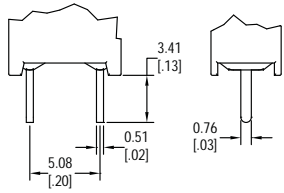


**T**

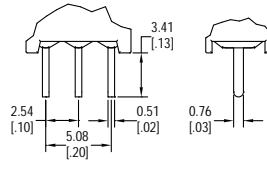


**F**

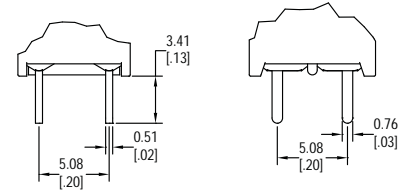
**Terminal Options**



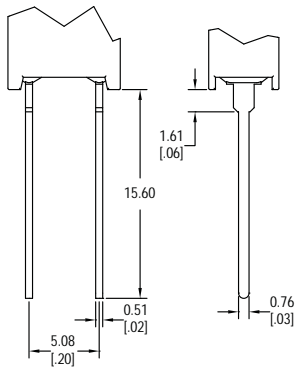
**C SPST**



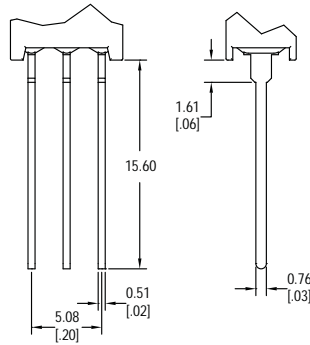
**C SPDT**



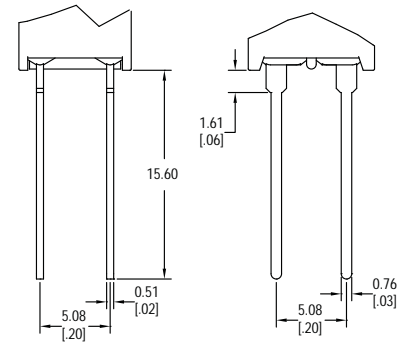
**C DPST**



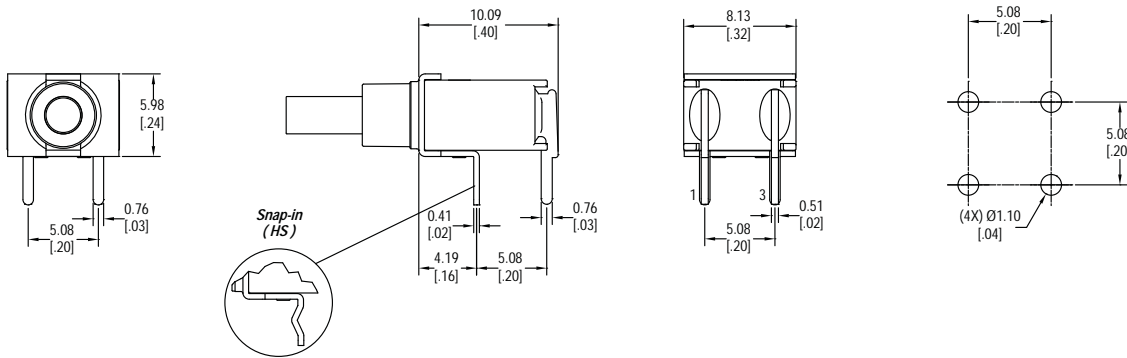
**W SPST**



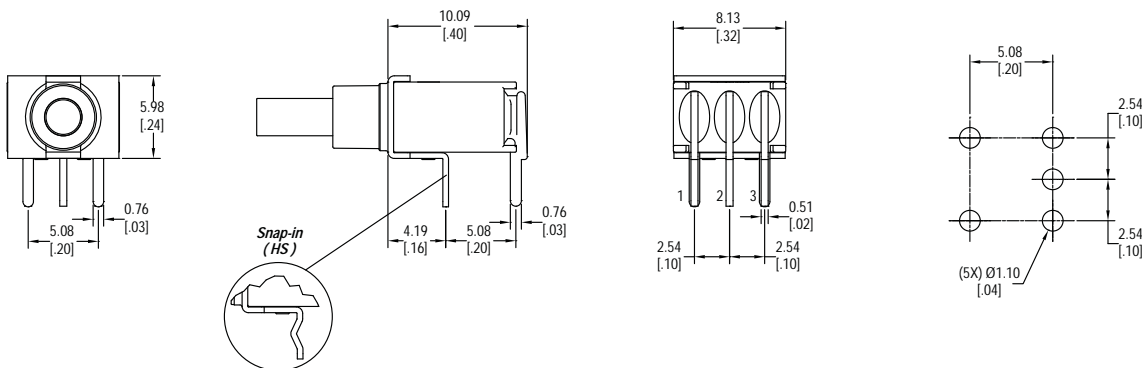
**W SPDT**



**W DPST**



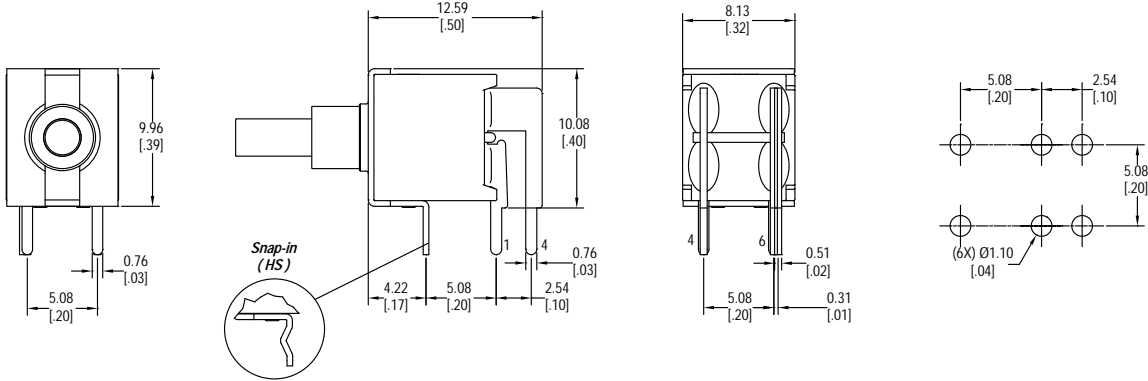
**H (HS - Snap In) = Horizontal mount, right angle PC pins, SPST**



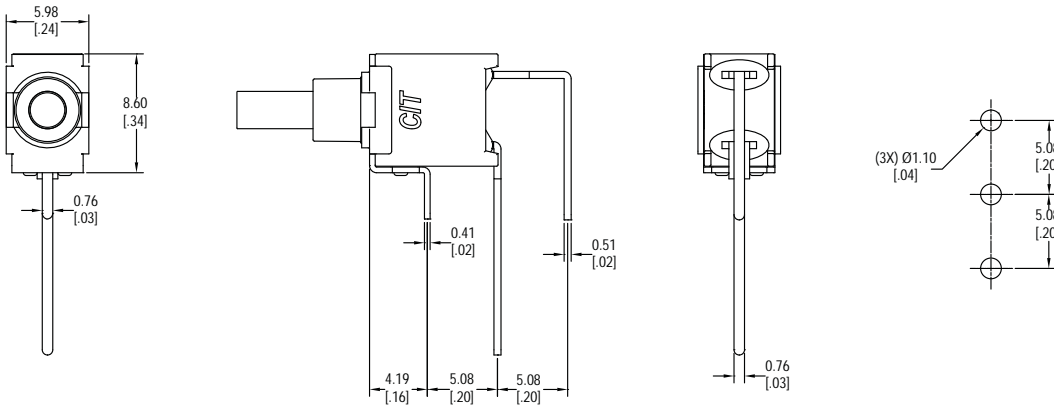
**H (HS - Snap In) = Horizontal mount, right angle PC pins, SPDT**

## Process Sealed Sub-Miniature Pushbutton

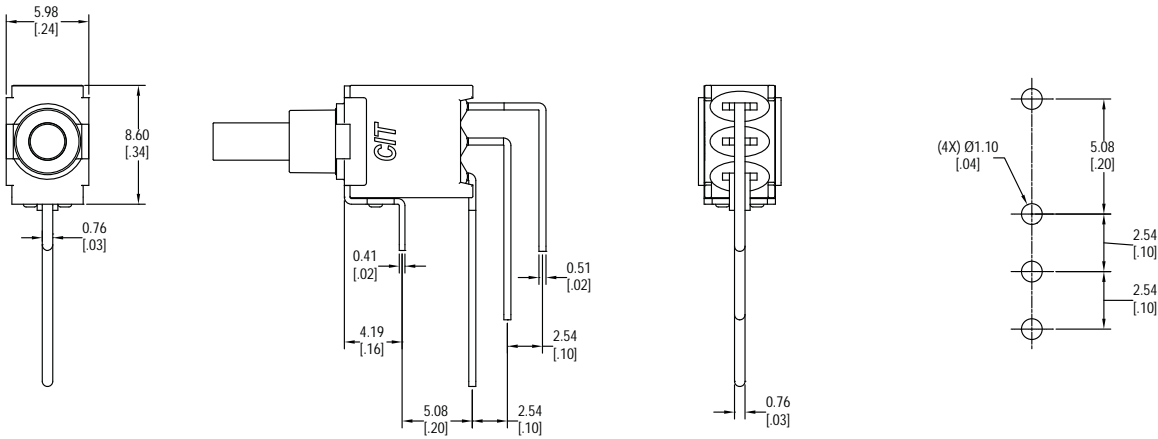
### Terminal Options



**H (HS - Snap In) = Horizontal mount, right angle PC pins, DPST**

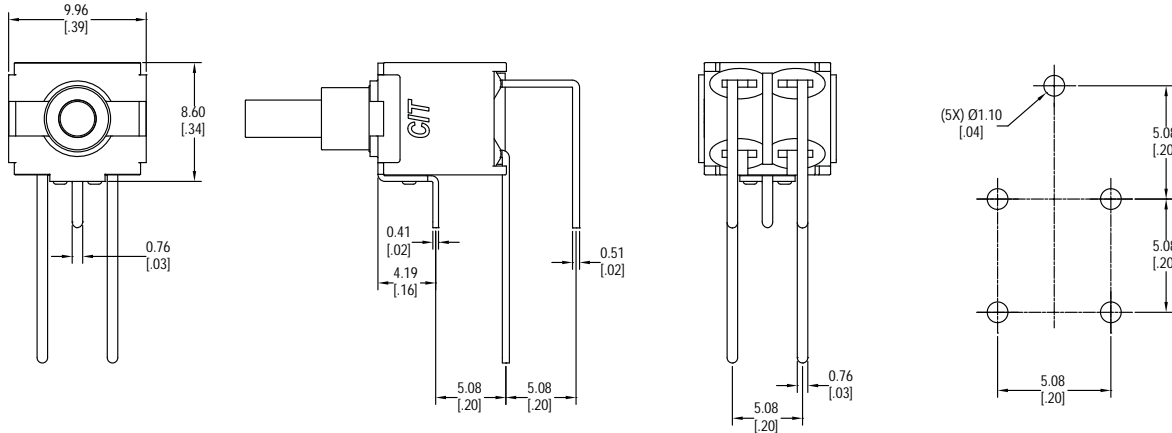


**V (VS - Snap In) = Vertical mount, right angle PC pins, SPST**

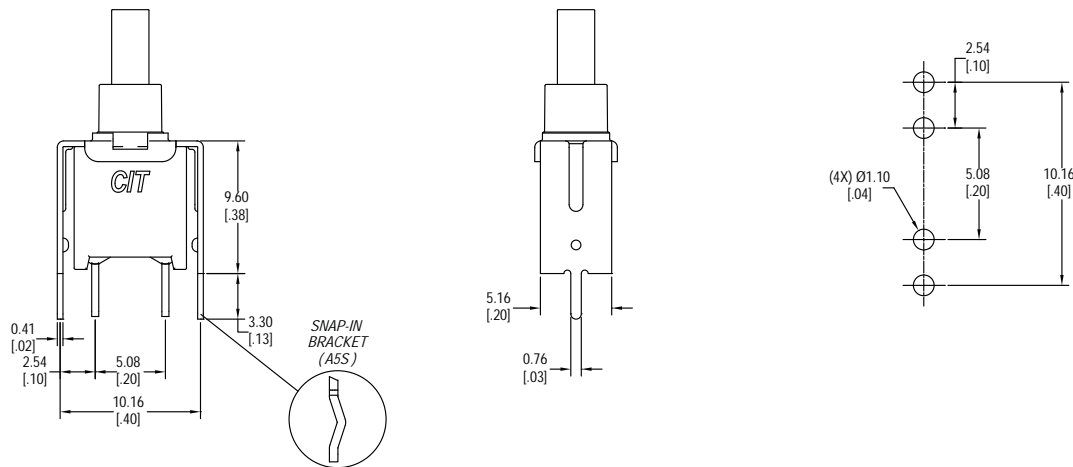


**V (VS - Snap In) = Vertical mount, right angle PC pins, SPDT**

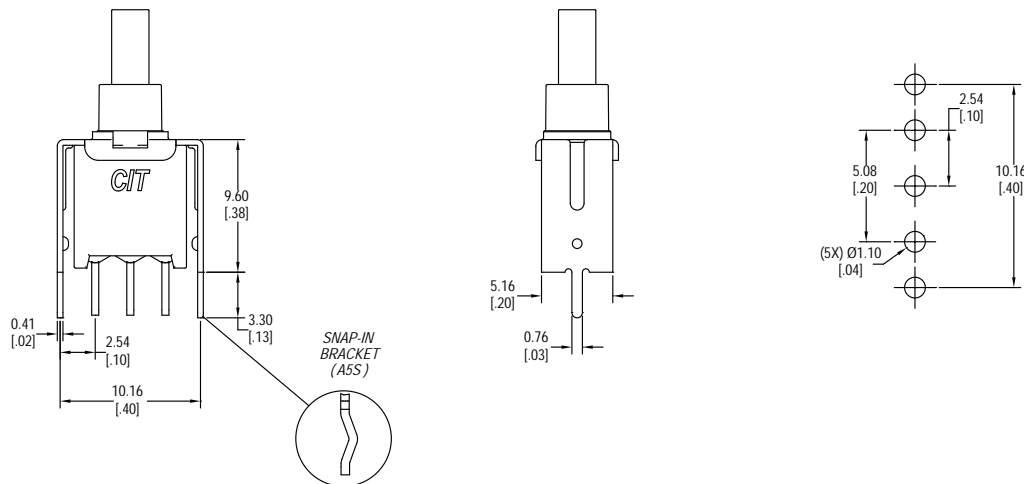
**Terminal Options**



**V (VS - Snap In) = Vertical mount, right angle PC pins, DPST**



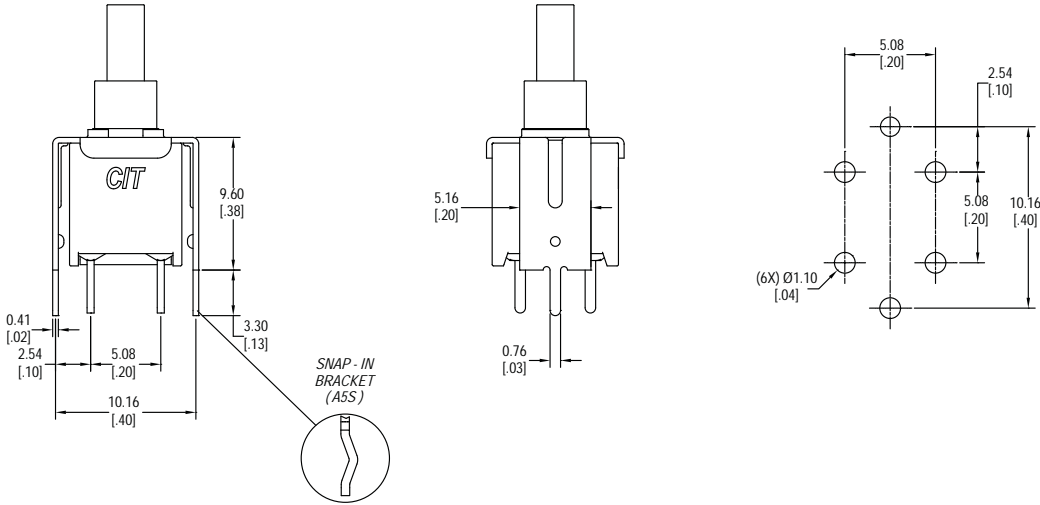
**A5 (A5S - Snap In) = C pins with support bracket, SPST**



**A5 (A5S - Snap In) = C pins with support bracket, SPDT**

## Process Sealed Sub-Miniature Pushbutton

### Terminal Options

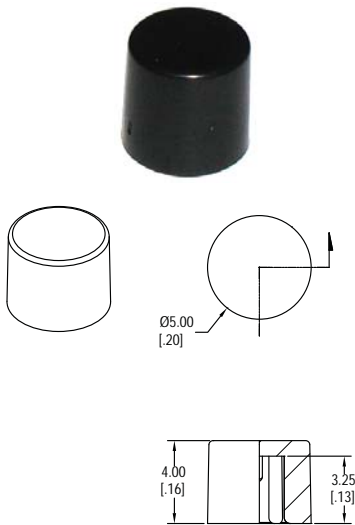


**A5 (A5S - Snap In) = C pins with support bracket, DPST**

### Contact Options

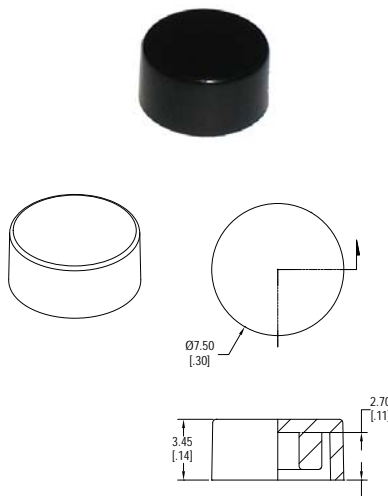
Designator	Contact Material	Terminal Material	Electrical Ratings
Q	Silver Plating	Silver Plating	3A @ 120VAC, 28VDC; 1A @ 250VAC
R	Gold over Nickel Plating	Gold over Nickel Plating	0.4VA max @ 20VAC or VDC max
G	Gold over Silver Plating	Gold over Silver Plating	0.4VA max @ 20VAC or VDC max or 3A @ 120VAC, 28VDC; 1A @ 250VAC

### Cap Options



**C84**

1 = White, 2 = Black, 3 = Red  
Contact Factory for other available colors



**C85**

1 = White, 2 = Black, 3 = Red  
Contact Factory for other available colors