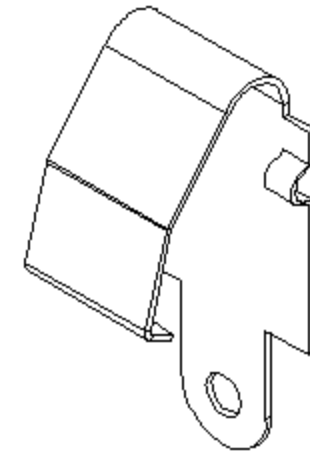
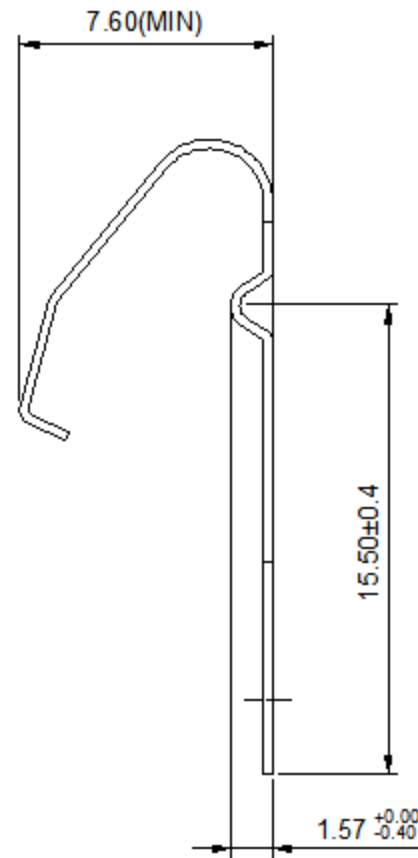
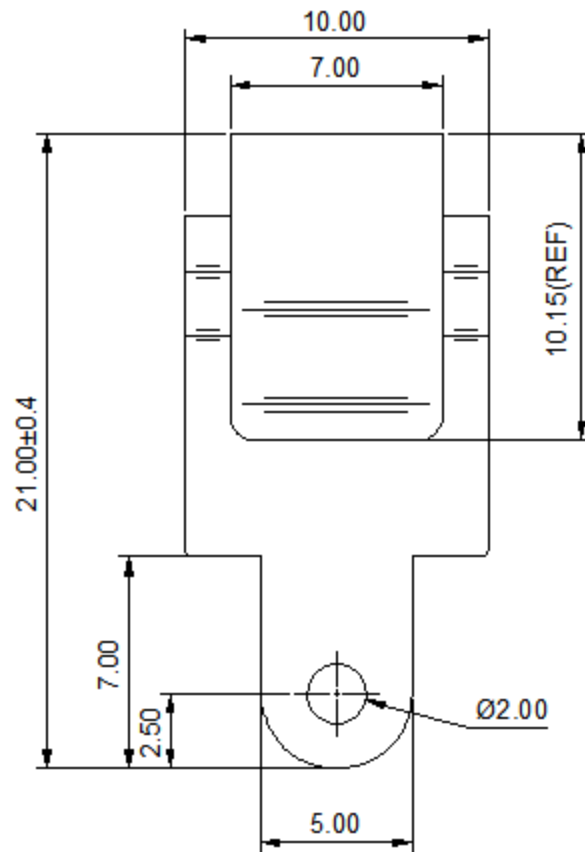


REV	DESCRIPTION	DATE
AO	INITIAL RELEASE	2020-11-03



NOTES:

1. MATERIAL:

a. 0.30MM PHOSPHOR BRONZE NICKEL PLATED

2. ELECTRIC:

a. CURRENT RATING : 3A (AC/DC)

b. DIELECTRIC VOLTAGE: 500V AC ONE SEC LEVEL

c. CONTACT RESISTANCE: 30 MILLIOHMS MAX

d. INSULATION RESISTANCE: 100 MILLIOHMS MIN

e. OPERATING TEMPERATURE: -40° ~ +105°

f. STORAGE TEMPERATURE RANGE: -10°C ~ +55°C

g. HUMIDITY: 40° C AND 90-95% RH FOR 48 HOURS

3. RoHS COMPLIANT

UNLESS OTHERWISE SPECIFIED TOLERANCES	
DECIMALS	ANGLES
X : ±0.30	X : ±3°
X.X : ±0.25	X.X : ±1°
X.XX : ±0.20	
X.XXX : ±0.10	



THIRD-ANGLE  
PROJECTION

NINGBO KLS ELECTRONIC CO.,LTD			
MATERIAL:	SEE NOTES	Wang Jianbing 2020/11/02	TITLE
FINISH:	SEE NOTES	Wang qianhui 2020/11/02	BATTERY CLIP
		Zhu zhangran 2020/11/02	DWG NO.
			L-KLS5-2110-02
			A0
UNIT	SCALE	SHEET	
MM	2:1	1 OF 1	